

1



**Start or Stop Function (light grey base, RAL 7035; dark grey lid, RAL 7016)**

Description	Type of push	Type of contact		Legend marking	Catalog number
		N/O	N/C		

Marking on Legend Holder

1 momentary push button	Flush black	1	-	Start	GB5D101
	Flush red	-	1	Stop	GB5D111

Marking on Legend Holder

1 mushroom head push button φ 40 mm, momentary	Red	-	1	Emergency stop	GB5D164
---------------------------------------------------	-----	---	---	----------------	---------

**Emergency Stop Function (light grey base, RAL 7035; yellow lid, RAL 1012)**

Description	Type	Type of contact		Catalog number
		N/O	N/C	

1 Mushroom head push button φ 40mm, red Turn to release	Standard	-	1	GB5K174
	Trigger action	-	1	GB5K178
1 Mushroom head push button φ 40mm, red Key release (Key No. 455)	Standard	-	1	GB5K184
	Trigger action	-	1	GB5K188
1 Mushroom head push button φ 40mm, red Push-pull	Standard	-	1	GB5K194



**Start-Stop Function (light grey base, RAL 7035; dark grey lid, RAL 7016)**

Description	Type of push	Type of contact		Legend text	Catalog number
		N/O	N/C		
Text on legend plate					
2 Momentary push buttons	1 flush black	1	-	Start	GB5D211
	1 flush red	-	1	Stop	
	1 flush black	1	-	Forward	GB5D221
	1 flush black	1	-	Reverse	

**Three Function (light grey base, RAL 7035; dark grey lid, RAL 7016)**

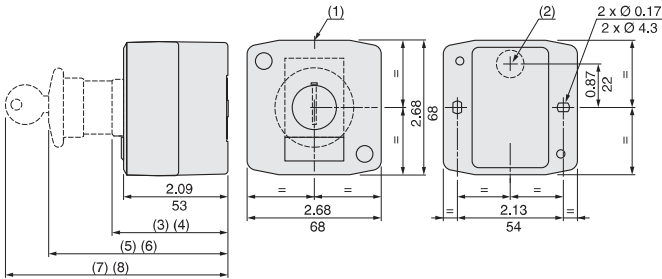
Description	Type of push	Type of contact		Legend text	Catalog number	
		N/O	N/C			
Text on legend plates						
3 Momentary push buttons	1 flush black	1	-	Open	GB5D341	
	1 flush red	-	1	Stop		
	1 flush black	1	-	Close		
			1	-	Forward	GB5D311
			-	1	Stop	
			1	-	Reverse	
			1	-	Up	GB5D321
			-	1	Stop	
			1	-	Down	

**Empty Enclosures**

Description	Number of holes	Catalog number
For normal environments, CSA+ UL approvals (with stainless steel lid mounting screws)		
Light grey base "RAL 7035"	1	GB5D01
Dark grey lid "RAL 7016"	2	GB5D02
	3	GB5D03
	4	GB5D04
	5	GB5D05
Light grey base "RAL 7035" Yellow lid "RAL 1012"	1	GB5K01

1

Single-way control stations GB5-D1, K1, D01

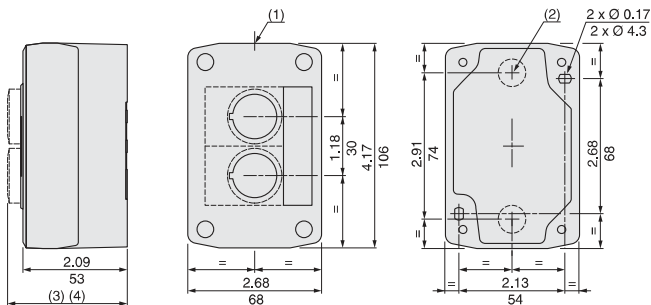


- (1) 2 knock-outs for PG 13.5 cable glands, maximum capacity 0.47 in (12 mm).
- (2) Knock-out for cable entry, maximum capacity 0.55 in (14 mm).

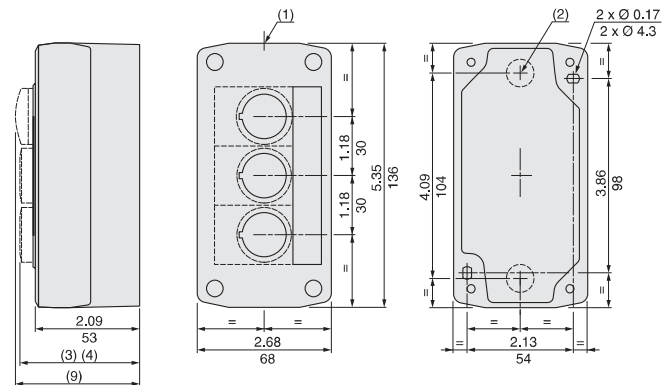
Examples:

- (3) 2.44 in (62 mm) for flush push buttons.
- (4) 2.59 in (66 mm) for projecting push buttons.
- (5) 3.58 in (91 mm) for latching mushroom head push buttons.
- (6) 2.91 in (74 mm) for key switches.
- (7) 4.45 in (113 mm) for latching mushroom head push buttons with key release.
- (8) 3.78 in (96 mm) for key switches with key.
- (9) 2.52 in (64 mm) for pilot lights.

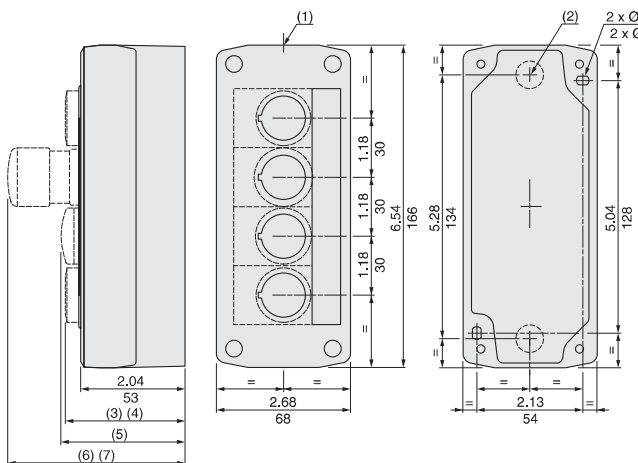
Two-way control stations GB5-D2, K2, D 02



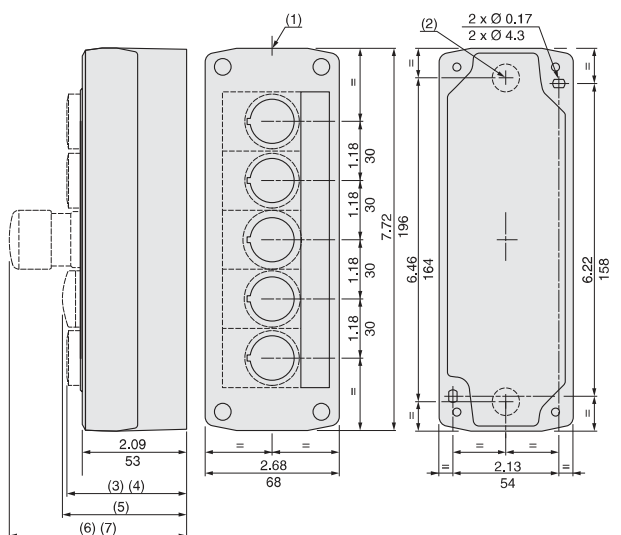
Three-way control stations GB5-D3, K3, D03



Four-way control stations GB5-D4, K4, D04



Five-way control stations GB5-D5, K5, D05



- (1) 2 knock-outs for PG 13.5 cable glands, maximum capacity 0.47 in (12 mm).
- (2) Knock-out for cable entry, maximum capacity 0.55 in (14 mm).

Examples:

- (3) 2.44 in (62 mm) for flush push buttons.
- (4) 2.59 in (66 mm) for projecting push buttons.
- (5) 2.52 in (64 mm) for pilot lights.
- (6) 3.43 in (87 mm) for mushroom head push buttons.
- (7) 3.07 in (78 mm) for selector switches.

Dual Dimensions  $\frac{\text{inches}}{\text{mm}}$