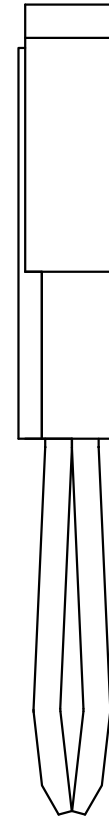
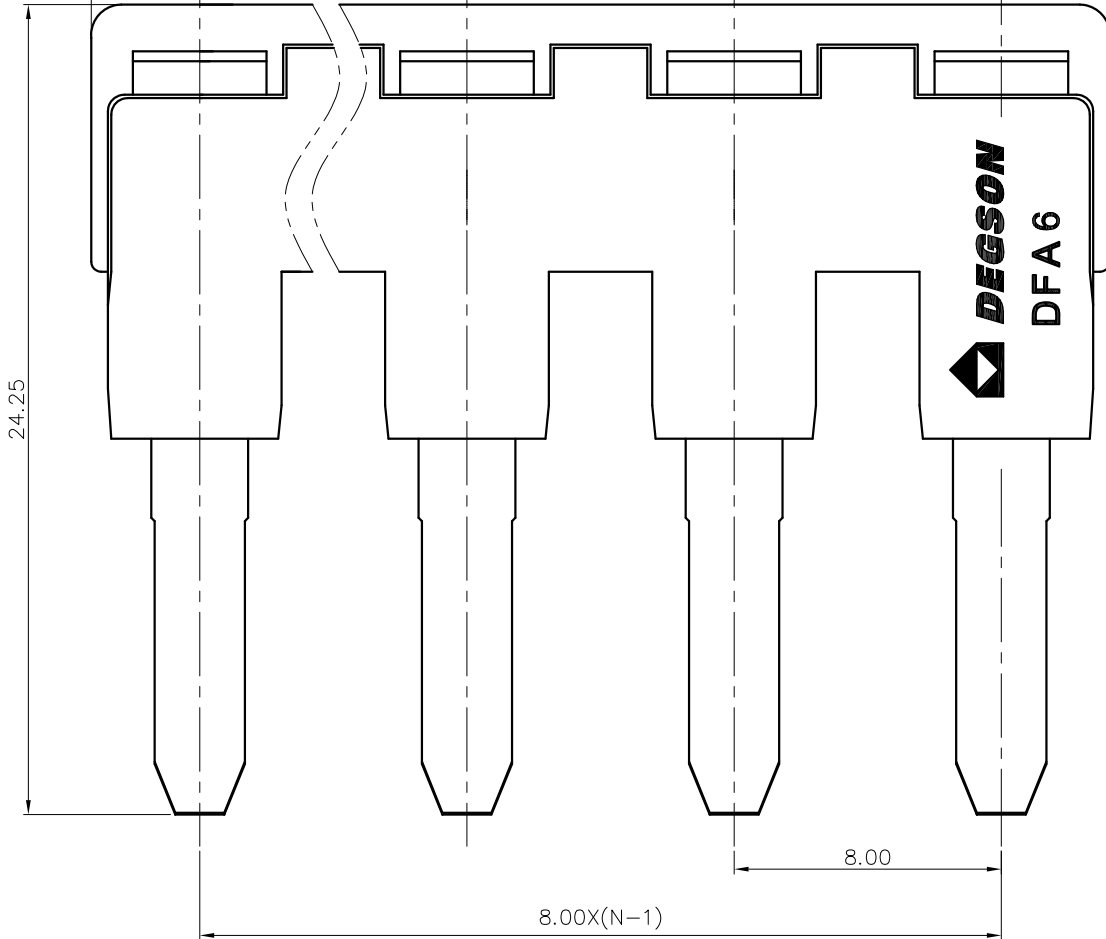


REVISION RECORD				
REV	ECN	DESCRIPTION	DRFT	DATE



$8.00 \times (N-1) + 6.50$

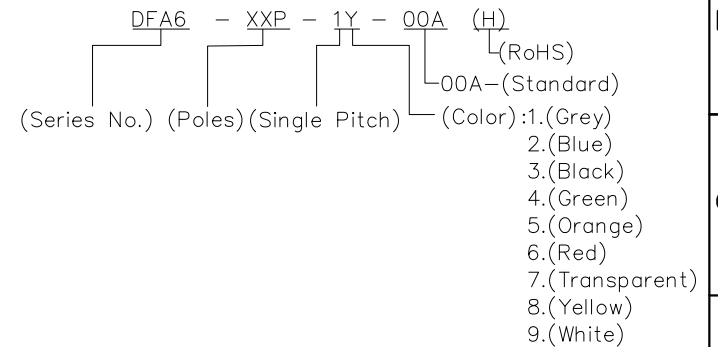


NOTES:

- 1.Dimension shall be interpreted per ASME Y14.5-2009
- 2.Pitch : 8.0mm, Poles : N=02~10P
- 3.Operating temperature:-40°C~+105°C
- 4.Undimensioned tolerances:

Pitch range in mm		Nominal dimension range in mm				-	∩	∇
TO	Over	Over	Over	Over		0.1/10		
6	6 TO 10	10 TO 24	30 TO 60	60 TO 100	100 TO 150			
±0.15	±0.20	±0.30	±0.30	±0.50	±0.70	±1.00	±1.30	±2'

5.RoHS Compliance



DETACHED LISTS	PART NO.: /	宁波高松电子有限公司 NINGBO DEGSON ELECTRICAL CO., LTD			
	APPD: /	NAME: DFA6-XXP-1Y-00A(H)			
	CHKD: /	TITLE: CUSTOMER DRAWING		REV	DO
	DRFT: /	DRAWING NO.: /		SHEET	1/1
THIRD ANGLE PROJECTION		MM (INCH)	DO NOT SCALE DRAWING	SCALE	1:1