

## Tact Switch Series

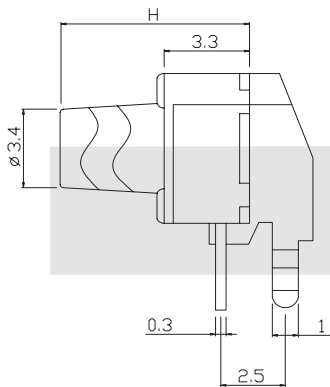
### KLS7-TS6606 6x6 Tact Switch Series

#### ELECTRICAL

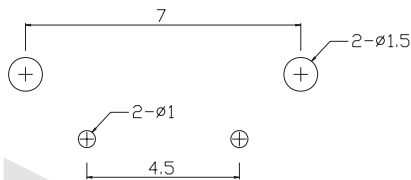
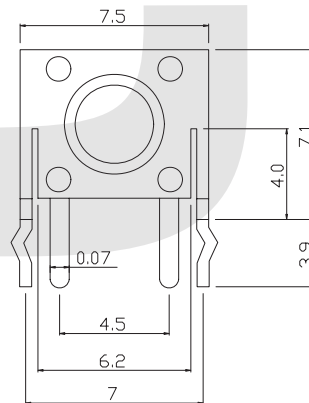
1. Rating: 50mA 12VDC
2. Contact Resistance : 50mΩ max(initial)
3. Insulation Resistance: 100MΩ(minDC 250V)
4. Dielectric Strength : AC250V(50/60Hz for 1minute)
5. Electrically Life: 100000cycles
6. Environment temperature: -20°C~+70°C
7. Operating Force: 180/250(±30gf)
8. Seal temperature: 260°C~ 280°C



#### Dimension (unit: mm)



H
4.3
5.0
6.0
7.0
8.0
13.0



PCB LAYOUT

## ORDER INFORMATION

**KLS7-TS6606 -4.3-180**

Series No. \_\_\_\_\_ Operating Force :180~250gf  
 Hight: 4.3mm/5.0mm/6.0mm/  
 7.0mm/8.0mm/13.0mm