



KAMCAP SUPERCAPACITOR

FEATURES

- Ideal for backing up of CMOS's, microcomputers, RAM's and the like used in VCR's, turners, TV sets, telephone sets and other.
- high energy density.

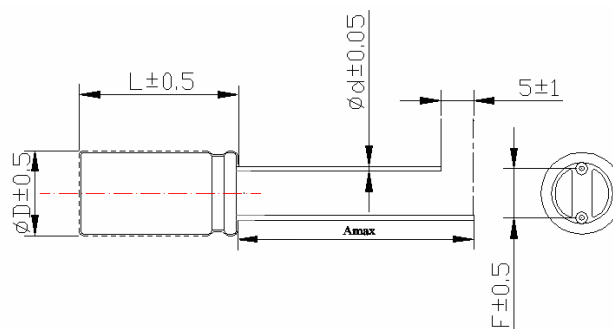


HP LR

HP LL

SPECIFICATIONS

Operating temperature	HPLL -25°C~70°C / HPLR -40°C~70°C
Rate voltage	2.7V
Surge Voltage	2.85V
Max Capacitance tolerance	-20%~80%
Temperature Characteristics	+70°C $\Delta C/C$ $\leq 30\%$, ESR $\leq 100\%$ of the specified value at 25°C -25°C $\Delta C/C$ $\leq 50\%$, ESR $\leq 400\%$ of the specified value at 25°C -40°C $\Delta C/C$ $\leq 50\%$, ESR $\leq 400\%$ of the specified value at 25°C
High temperature load	After 1000h, +70°C ± 2 , nominal voltage, $\Delta C/C$ $\leq 30\%$ of the initial measured value, ESR $\leq 400\%$ of the initial specified value
High temperature without load	After 1000h, +70°C ± 2 , nominal voltage, $\Delta C/C$ $\leq 30\%$ of the initial measured value, ESR $\leq 200\%$ of the initial specified value
Humidity Resistance	After +40°C ± 2 , 90~95%RH, 240h, $\Delta C/C$ $\leq 30\%$ of the initial measured value, ESR ≤ 4 time of the initial specified value

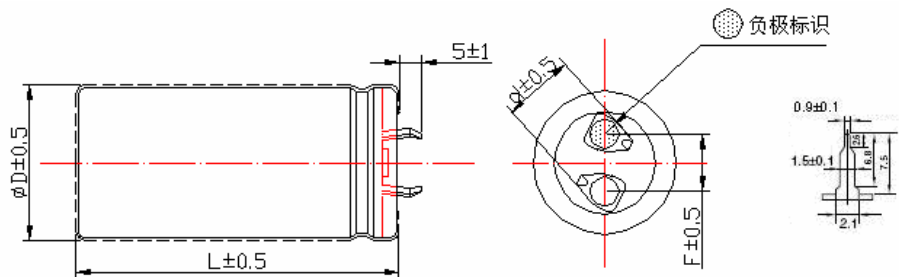


Part Number	Rated Capacitance (F)	Operating Voltage (V)	ESR 1kHz (mΩ)	Size (ΦD×L,mm) ±1mm	P(mm) ±0.5mm	Φd (mm) ±0.05mm
HP-2R7-J354UYLL	0.35	2.7	600	5×12	2	0.5
HP-2R7-J354UYLR	0.35	2.7	250	5×12	2	0.5
HP-2R7-J504VYLL	0.5	2.7	600	6.3×13	2.5	0.5
HP-2R7-J704VYLL	0.7	2.7	600	8×13.5	3	0.6



KAMCAP SUPERCAPACITOR

HP-2R7-J704VYLR	0.7	2.7	300	8×13.5	3	0.6
HP-2R7-J105VYLL	1	2.7	600	8×13.5	3	0.6
HP-2R7-J105VYLR	1	2.7	300	8×13.5	3	0.6
HP-2R7-J205VYLL	2	2.7	250	8×20	5	0.6
HP-2R7-J205VYLR	2	2.7	130	8×20	5	0.6
HP-2R7-J205VYLL	2	2.7	250	10×20	5	0.6
HP-2R7-J205VYLR	2	2.7	130	10×20	5	0.6
HP-2R7-J335TYLL	3.3	2.7	250	8×20	5	0.6
HP-2R7-J335TYLR	3.3	2.7	120	8×20	5	0.6
HP-2R7-J335VYLL	3.3	2.7	210	10×20	5	0.6
HP-2R7-J335VYLR	3.3	2.7	80	10×20	5	0.6
HP-2R7-J475UYLL	4.7	2.7	120	12.5×21	5	0.6
HP-2R7-J475UYLR	4.7	2.7	60	12.5×21	5	0.6
HP-2R7-J805UYLL	8	2.7	110	12.5×21	5	0.6
HP-2R7-J805UYLR	8	2.7	55	12.5×21	5	0.6
HP-2R7-J106UYLL	10	2.7	80	12.5×26	5	0.6
HP-2R7-J106UYLR	10	2.7	45	12.5×26	5	0.6
HP-2R7-J106UYLL	10	2.7	60	12.5×26	5	0.6
HP-2R7-J106UYLR	10	2.7	40	12.5×34	5	0.6
HP-2R7-J106UYLL	10	2.7	80	10×30	5	0.6
HP-2R7-J126UYLL	12	2.7	60	12.5×34	5	0.6
HP-2R7-J126UYLR	12	2.7	35	12.5×34	5	0.6
HP-2R7-J156UYLL	15	2.7	50	16×26.5	7.5	0.6
HP-2R7-J156UYLR	15	2.7	30	16×26.5	7.5	0.6
HP-2R7-J206UYLL	20	2.7	50	16×35	7.5	0.8
HP-2R7-J206UYLR	20	2.7	25	16×35	7.5	0.8
HP-2R7-J256UYLL	25	2.7	50	16×35	7.5	0.8
HP-2R7-J256UYLR	25	2.7	25	16×35	7.5	0.8
HP-2R7-J306UYLR	30	2.7	20	16×35	7.5	0.8
HP-2R7-J506UYLR	50	2.7	20	18×42	7.5	0.8
HP-2R7-J606UYLR	60	2.7	20	18×42	7.5	0.8



HP-2R7-J906UYLR	90	2.7	15	22×46	10	0.9
HP-2R7-J107UYLR	100	2.7	15	22×46	10	0.9
HP-2R7-J127UYLR	120	2.7	15	25.5×55	10	0.9
HP-2R7-J157UYLR	150	2.7	15	25.5×55	10	0.9



KAMCAP SUPERCAPACITOR

HP-2R7-J207UYLR	200	2.7	10	35×62	10	0.9
HP-2R7-J307UYLR	300	2.7	10	35×62	10	0.9
HP-2R7-J367UYLR	360	2.7	5	35×62	10	0.9
HP-2R7-J407UYLR	400	2.7	10	35×62	10	0.9
LR-2R7-J308SL	3000	2.7	1	60×170	两端引出式	