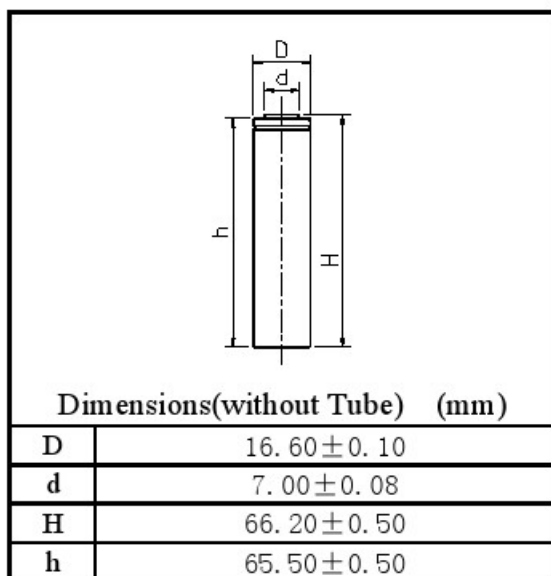


JJJ Battery Co.,LTD.

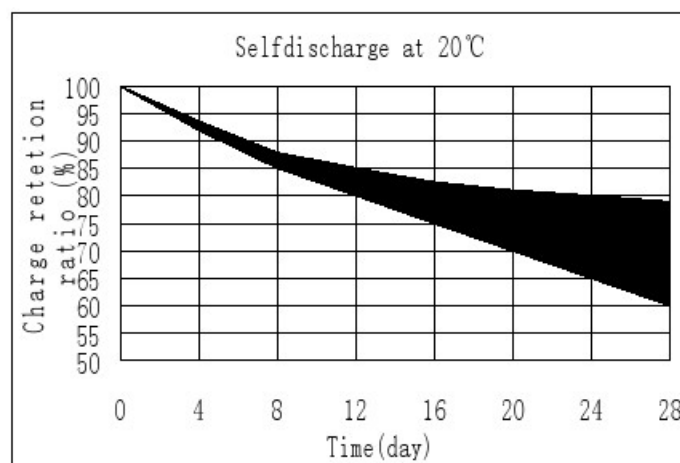
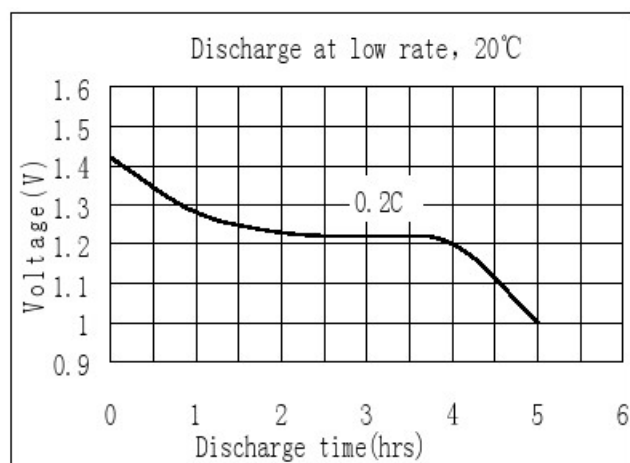
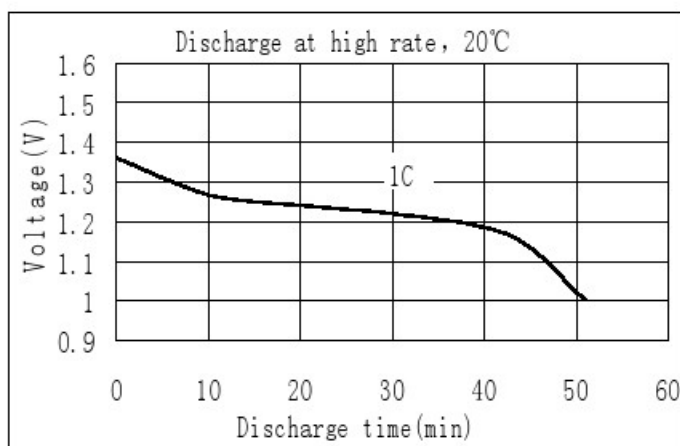
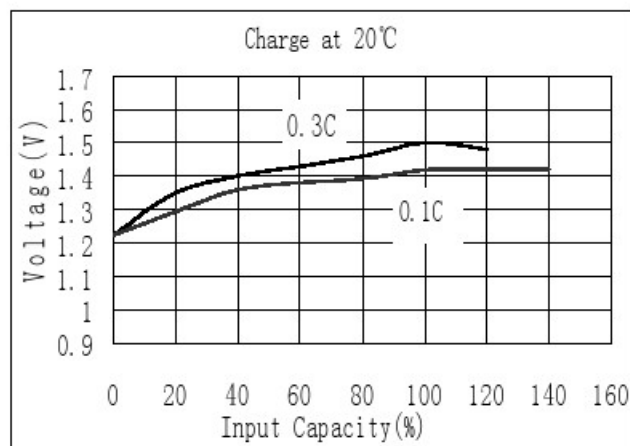
MODEL No: J-7/5A3800

Description: 3800 mAh SIZE NI-MH A



Specification

Nominal Capacity		3800 mAh
Nominal Voltage		1.2 V
Charge current	Standard	380 mA
	Fast	1140 mA
Charge time	Standard	14~16 Hrs
	Fast	4 Hrs
Ambient Temperature	Charge	Standard: 0°C~45°C Fast: 10°C~45°C
	Discharge	-20°C~60°C
	Storage	-20°C~55°C
Internal Impedance(mΩ) (After Charge)		≤ 20
Weight		54.0 g



JJJ reserves the right to alter or amend the design, model and specification without prior notice.

JIANGMEN JJJ BATTERY CO.,LTD.