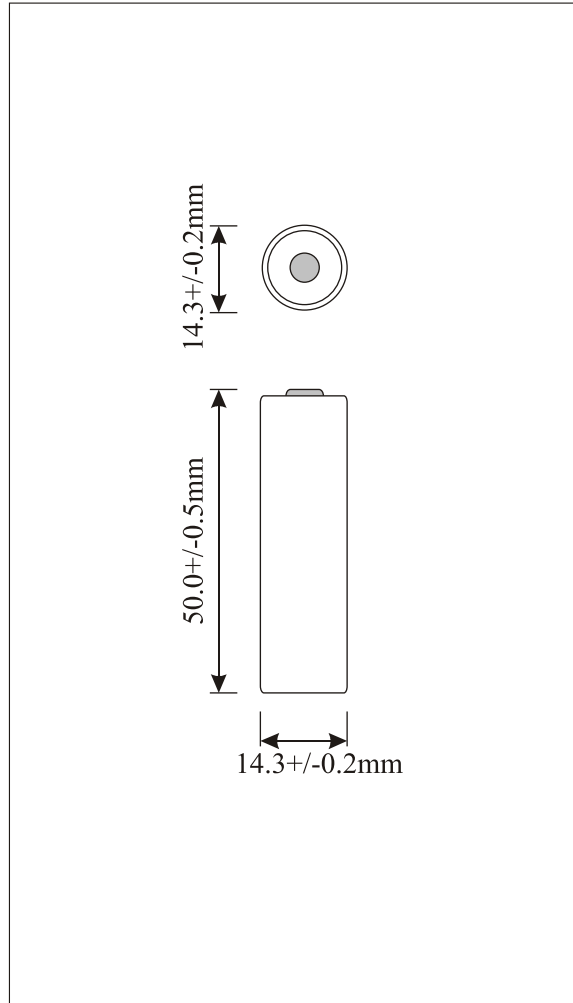
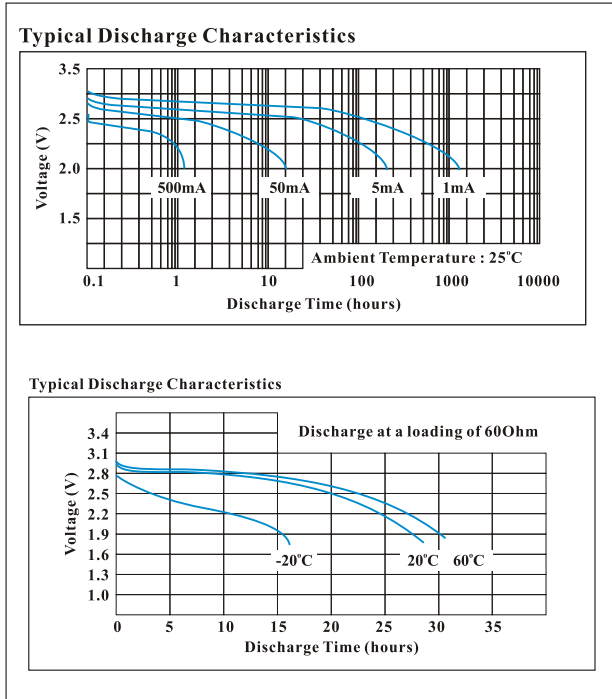


LITHIUM MANGANESE DIOXIDE BATTERY

SPECIFICATIONS

Model	:	CR14505
Description	:	Manganese Dioxide Lithium Battery (LiMnO ₂)
Nominal Capacity	:	1500mAh
Nominal Voltage	:	3.0 V
Cut-Off Voltage	:	2.0 V
Weight	:	21 g
Shelf-Life	:	6 years ex-factory
Recommended Drain	:	Standard : 1mA Continuous < 1000mA Pulse < 2000mA
Operating Temperature Range	:	-20 to +60 degree C
Service Life	:	Typ. 1500hrs at 1mA continuous discharge Typ. 260hrs at 5mA continuous discharge Typ. 20hrs at 50mA continuous discharge
Warning	:	Do not short circuit. Do not recharge. Do not overdischarge. Do not disassemble. Do not put on fire. Do not inverse polarity. Do not mix new and old battery. Do not mix with different battery

Typical Discharge Characteristics



Information is for references only.