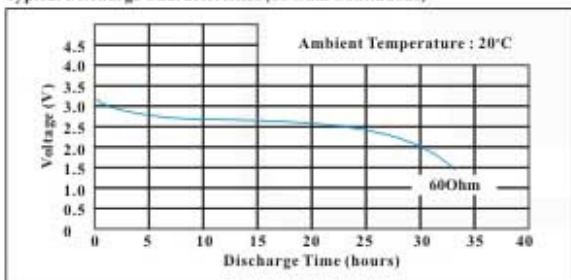


LITHIUM PHOTO BATTERY

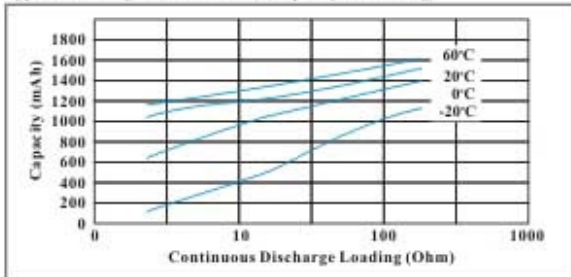
SPECIFICATIONS

Model	:	CR123A
Description	:	Lithium Photo Battery
Norminal Capacity	:	1400mAh at 60 Ohm continuous discharge
Nominal Voltage	:	3.0 V
Cut-Off Voltage	:	1.5 V
Weight	:	15 g
Self-Life	:	10 years ex-factory
Ambient Temperature	:	-20 - 60 degC
Service Life	:	Over 28 (Typ. 33) hrs at 60 Ohm continuous discharge Over 650 (Typ. 800) cycles at 1.5A pulse drain
Application	:	Camera, Flashlight, Alarm

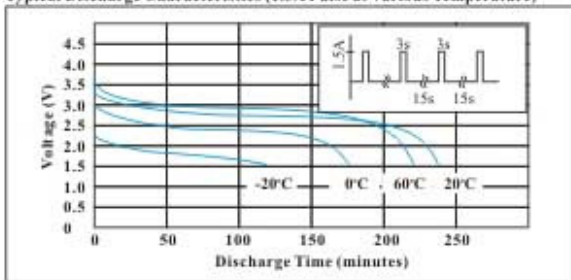
Typical Discharge Characteristics (60 Ohm Continuous)



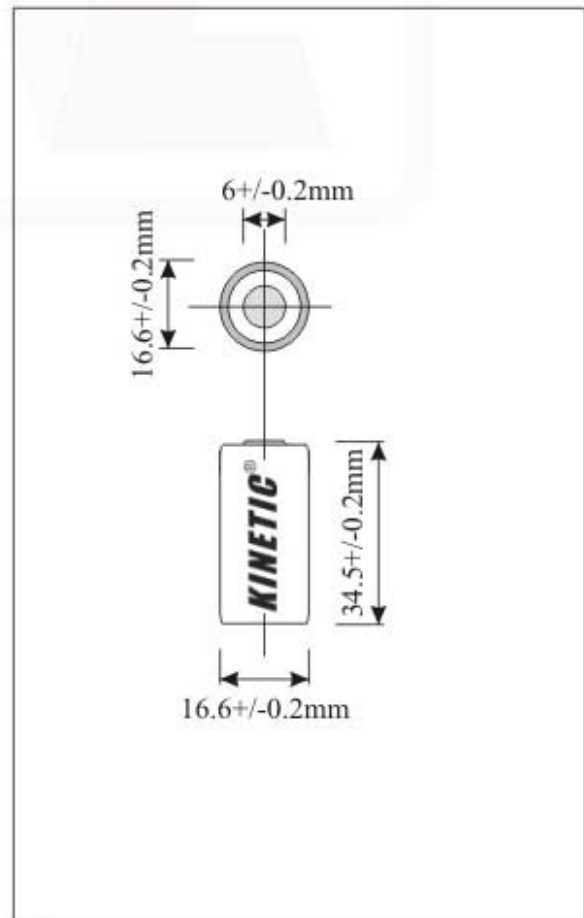
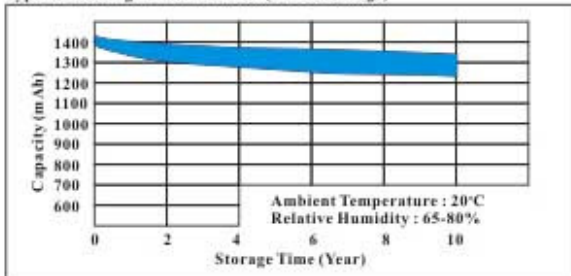
Typical Discharge Characteristics (Capacity vs. Loading)



Typical Discharge Characteristics (1.5A Pulse at Various Temperature)



Typical Discharge Characteristics (Self-Discharge)



Typical Cycle Life (1.5A Pulse Drain)

