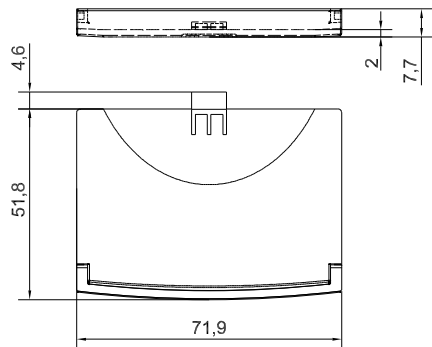
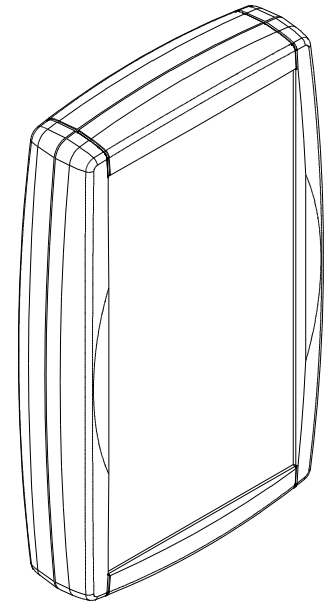
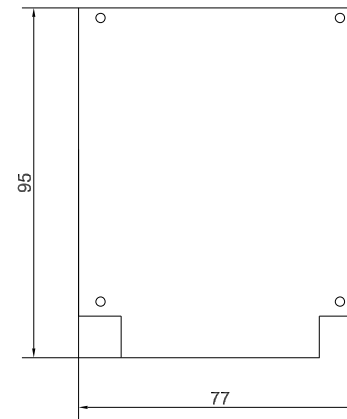

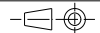


MAXIMUM PCB SIZE



	Denominazione	Part Number	
	<b>Assembly TN22-B</b> <small>Subject to technical modification without prior notice.          Tipographical and other errors do not justify any claim for damages.          All dimensions should be verified using an actual moulded part.</small>	<b>TN22-B</b>	
	Rev. Index	Scale	1:1
	<small>This document contains proprietary information of TEKO S.p.a. and is tendered subject to the conditions that the information be retained in confidence and not be reproduced or copied and not be used or incorporated in any product.</small>	Date	Forma design
		25/05/2005	