
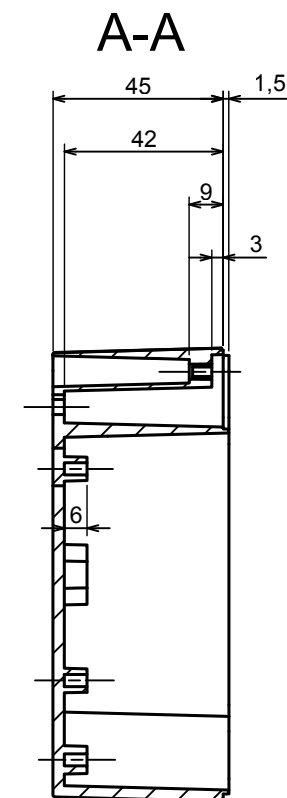
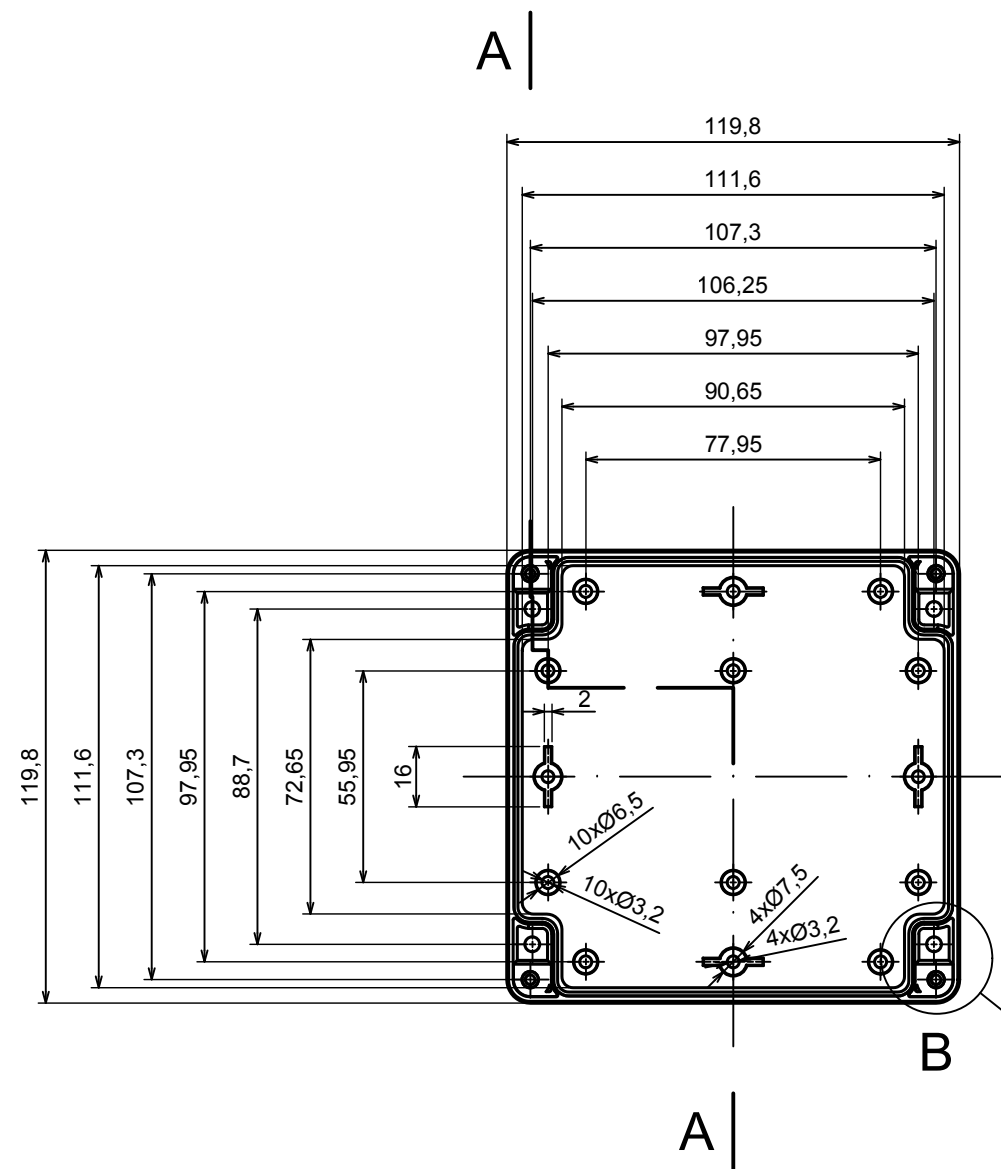
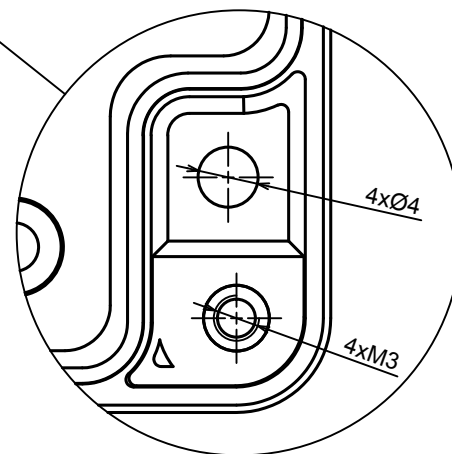


All rights reserved, Copyright Kradox 2018		
Product model	Enclosure ZP120.120.60J_TM - Assembly	
Format: A3	Material: PC, ABS	
Scale 1:1	Tolerance: +/- 0.6	



B (2:1)



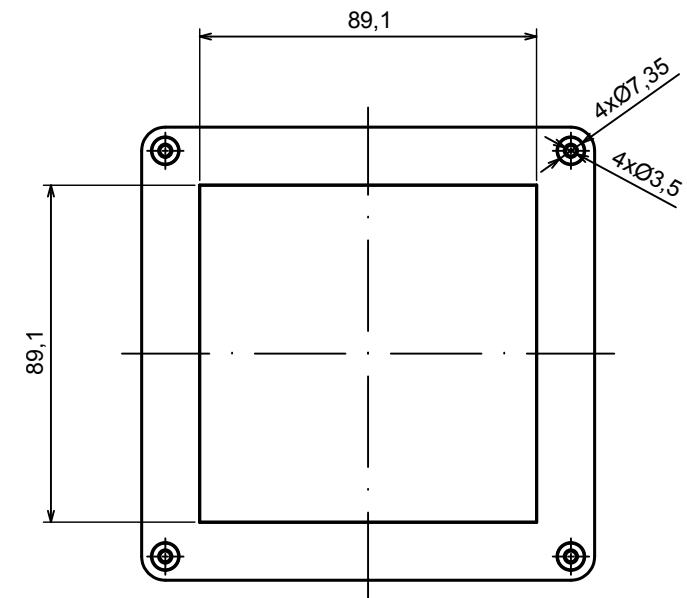
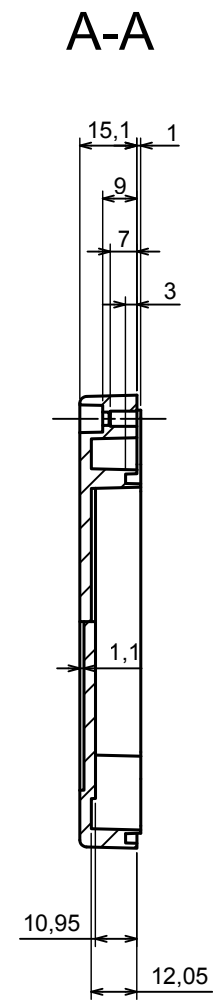
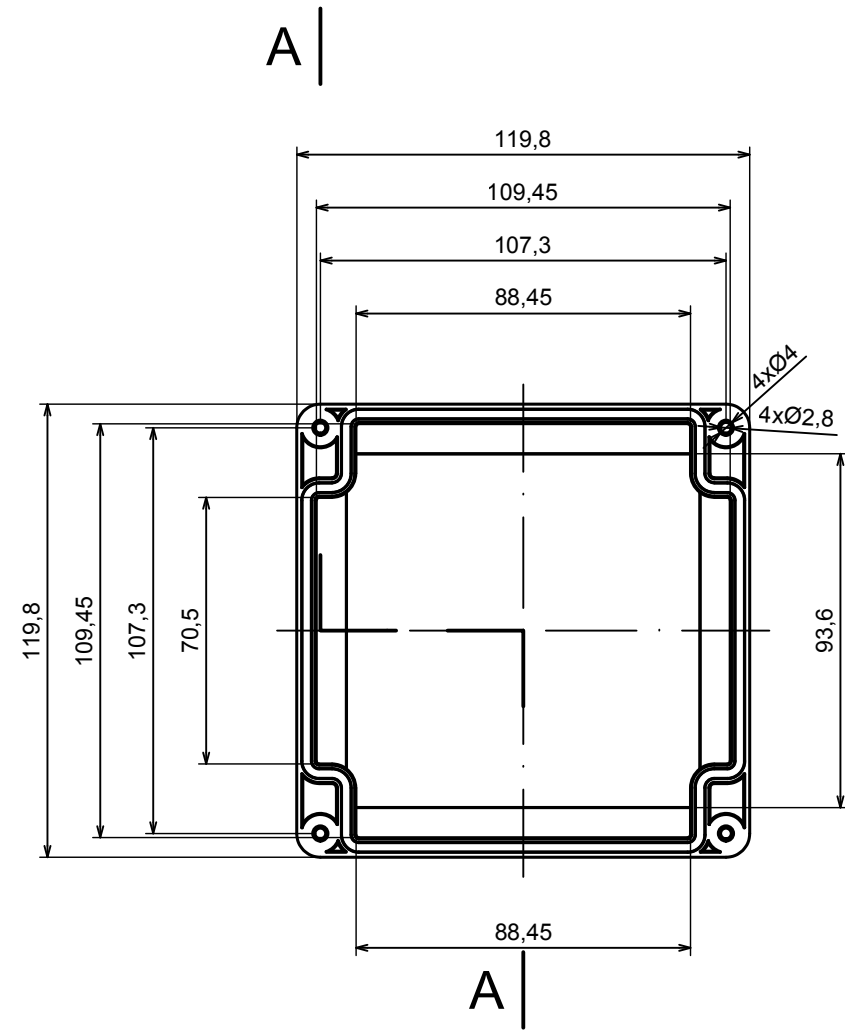
All rights reserved, Copyright Kradox 2018

Product model: Enclosure ZP120.120.60J\_TM - Base ZP120.120.45J\_TM

Format: A3 Material: PC, ABS

Scale 1:2 Tolerance: +/- 0.6





All rights reserved, Copyright Kradex 2018

Product model Enclosure ZP120.120.60J\_TM - Cover ZP120.120.15J

Format: A3 Material: PC, ABS

Scale 1:2 Tolerance: +/- 0.6

