

Product Features:

Input current is small, the corresponding speed, no noise, long life, Compatible with MCU, PLC and other interfaces.

Application:

Used in computer peripheral interface equipment, electric furnace heating, thermostat equipment, CNC machinery, industrial automation equipment, signal lights, stage lighting lighting control equipment instrumentation, Medical equipment, photocopiers, plastic machinery, air conditioners, washing machines, in addition to chemical, coal and other explosion-proof, moisture, anti-corrosion occasions have a large number of use, as a substitute for electromagnetic relay The ideal product for AC contactor

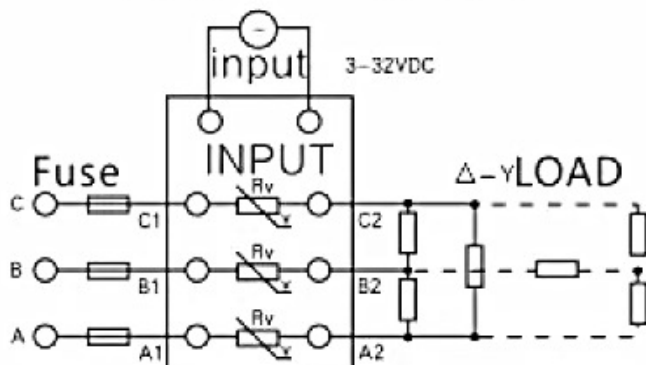
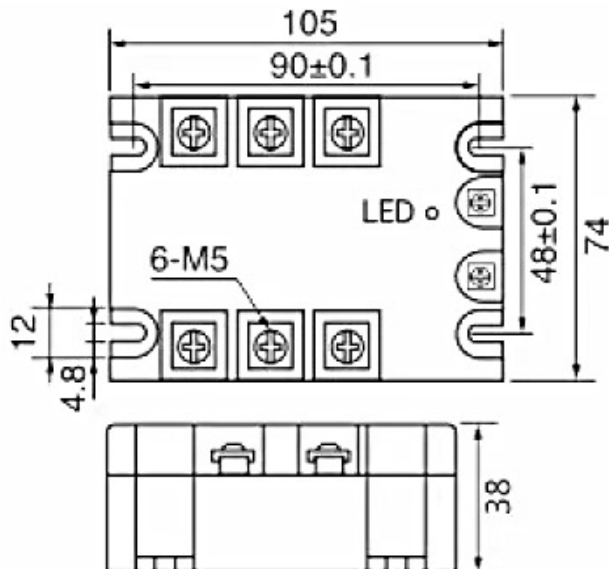
Technical Specifications:

Load Current	10A 25A 40A
	Three TRIAC outputs
Load Voltage	24-380VAC
Control Voltage	5-32VDC

[Home](#) [Products](#) [Rotary Encoder](#) [PLC](#) [HMI](#) [Proximity switch sensor](#) [About Us](#) [Blog](#) [Dow](#)

Off Leakage Current	$\leq 10\text{mA}$
On-off Time	$\leq 10\text{mS}$
Dielectric Strength	Input - output - floor $\geq 2500\text{VAC}$
Insulation Resistance	1000MQ/500VDC
Ambient Temperature	-30~+75°C
Mounting Methods	Bolt fixing
The work instructions	LED

Shape and mounting dimensions (mm)



105Lx74Wx38H