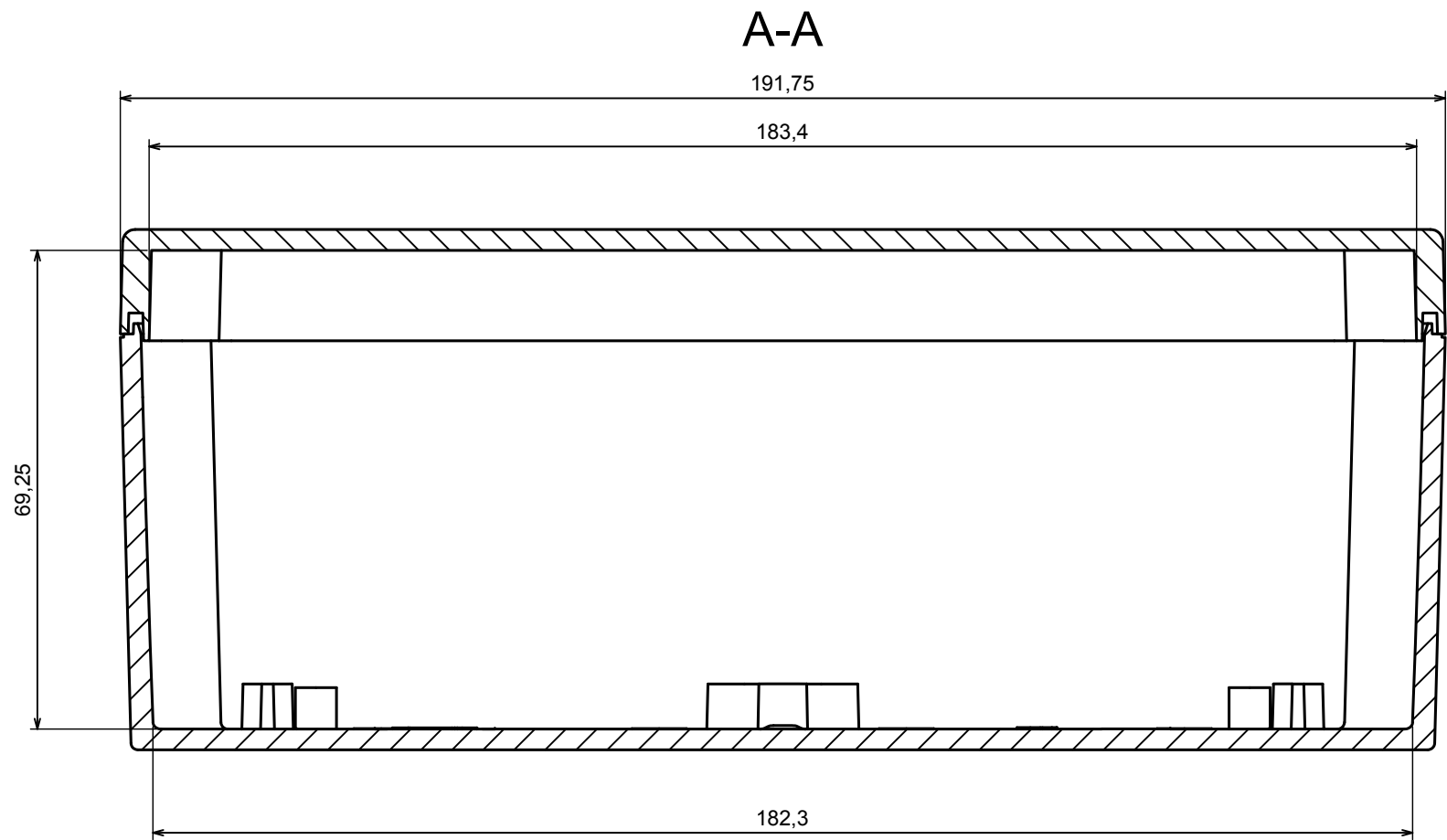


A |



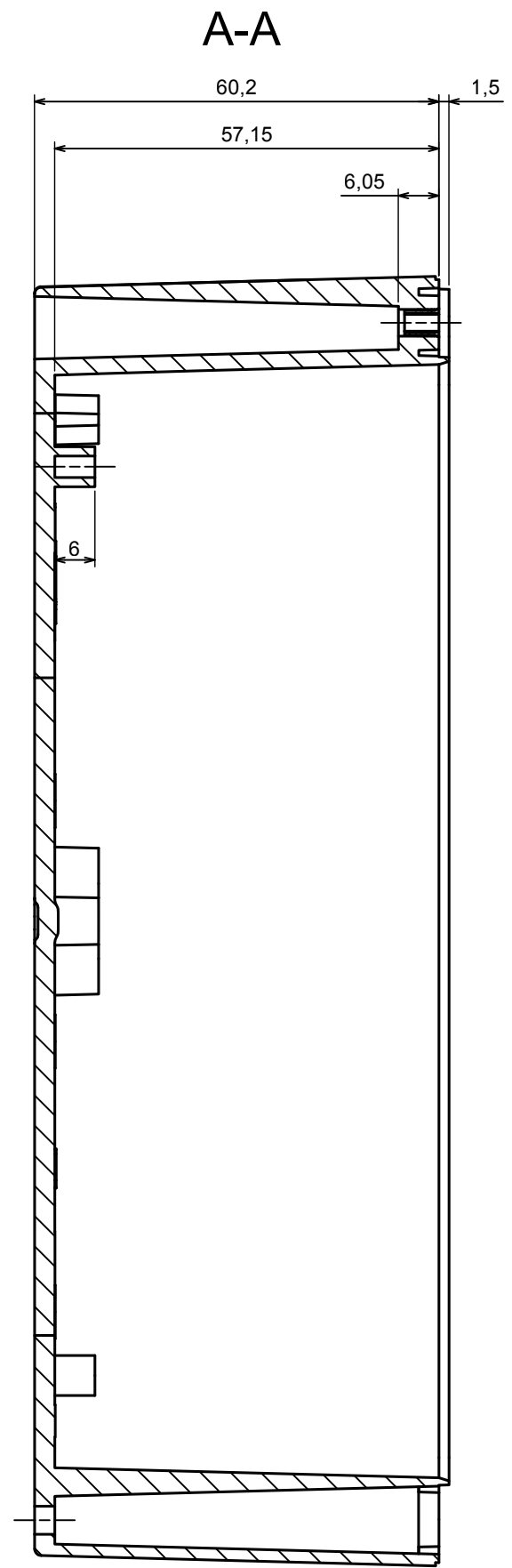
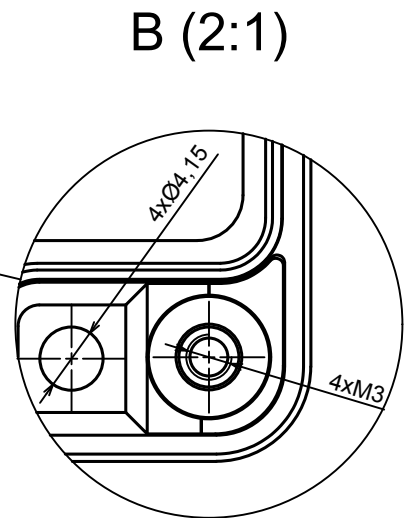
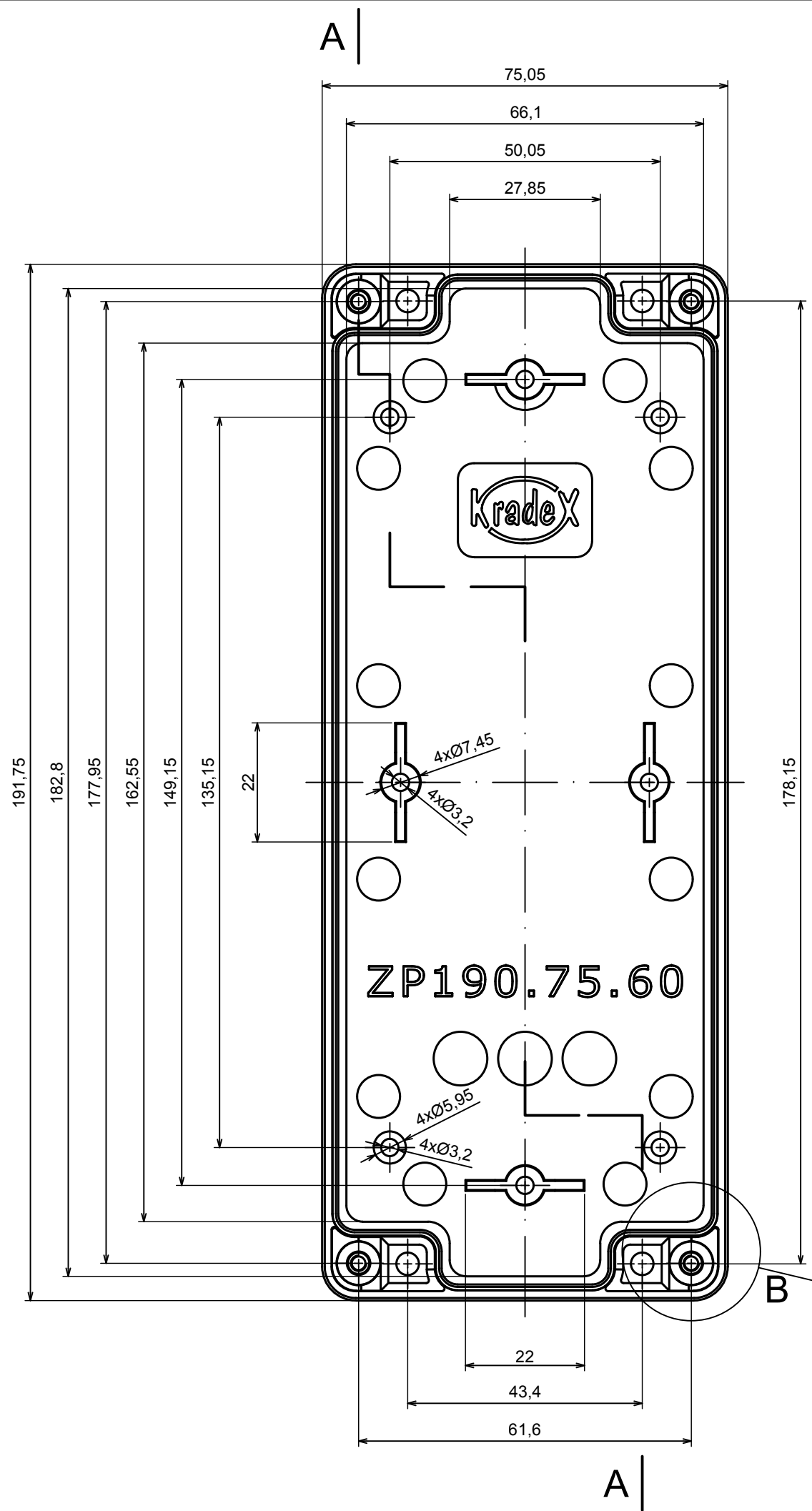
All rights reserved, Copyright Kradox 2019

Product model Enclosure ZP190.75.75 TM - Assembly

Format: A3 Material: PC, ABS

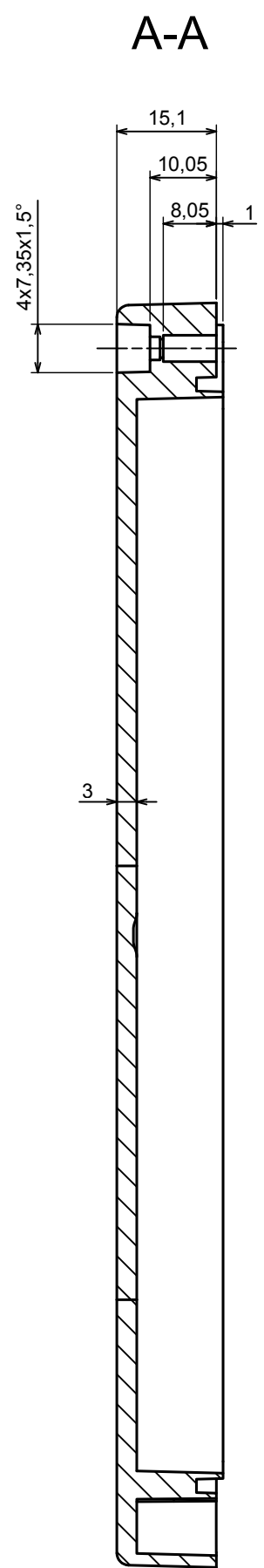
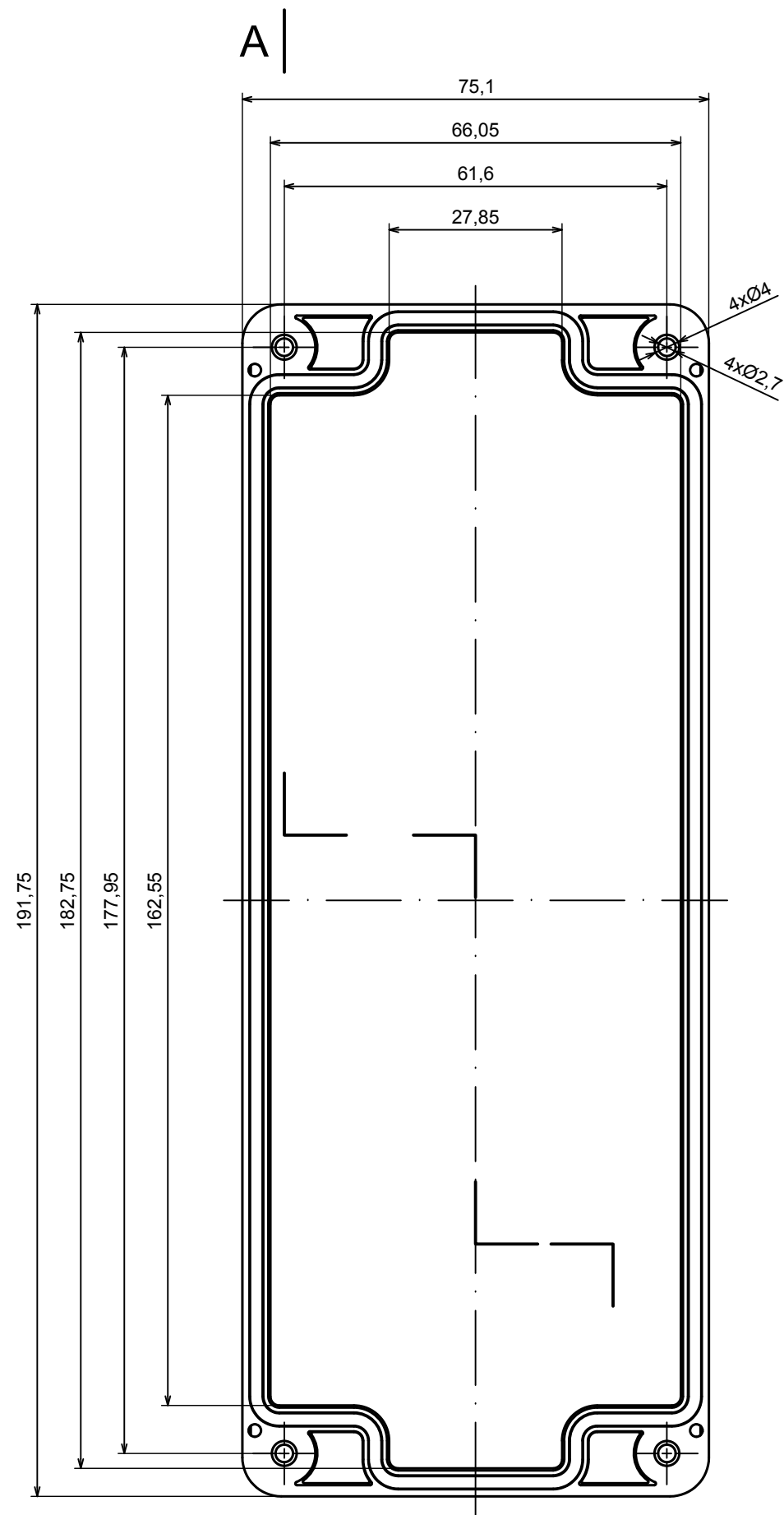
Scale 1:1 Tolerance: +/- 0.5






All rights reserved, Copyright Kradex 2019	
Product model	Enclosure ZP190.75.75 TM - Base ZP190.75.60 TM
Format: A3	Material: PC, ABS
Scale 1:1	Tolerance: +/- 0.5





A |

All rights reserved, Copyright Kradox 2019		
Product model	Enclosure ZP190.75.75 TM - Cover ZP190.75.15	
Format: A3	Material: PC, ABS	
Scale 1:1	Tolerance: +/- 0.5	