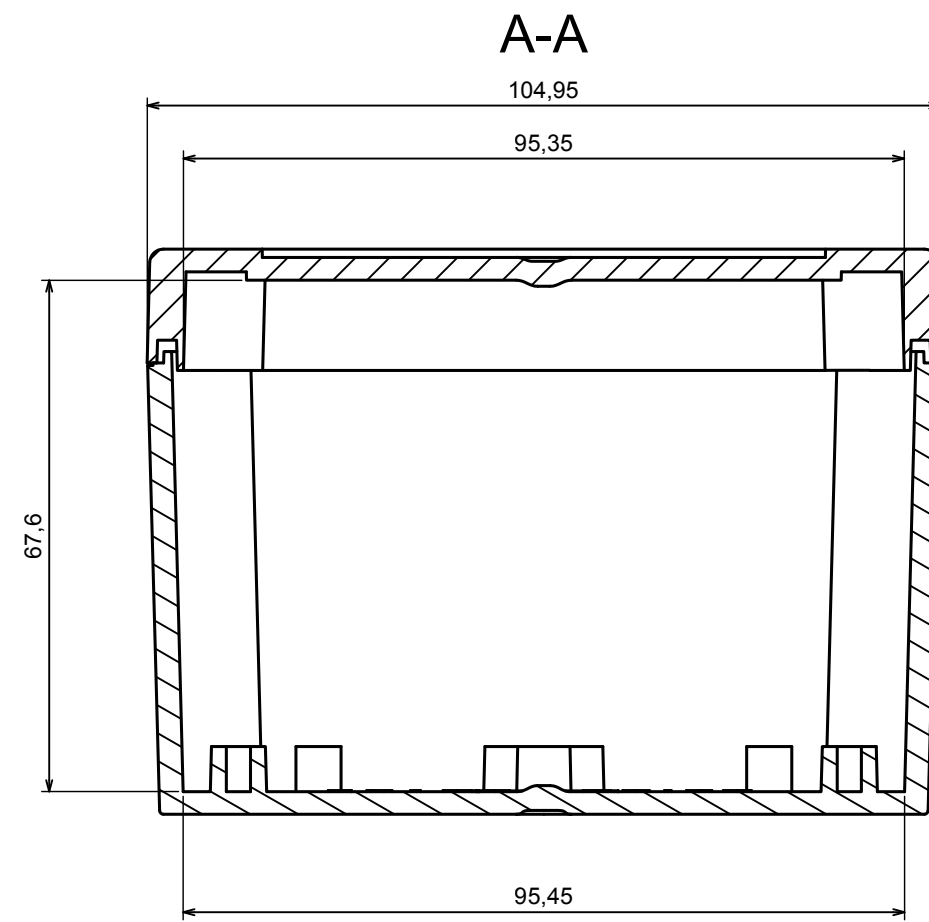


A |



All rights reserved, Copyright Kradex 2018

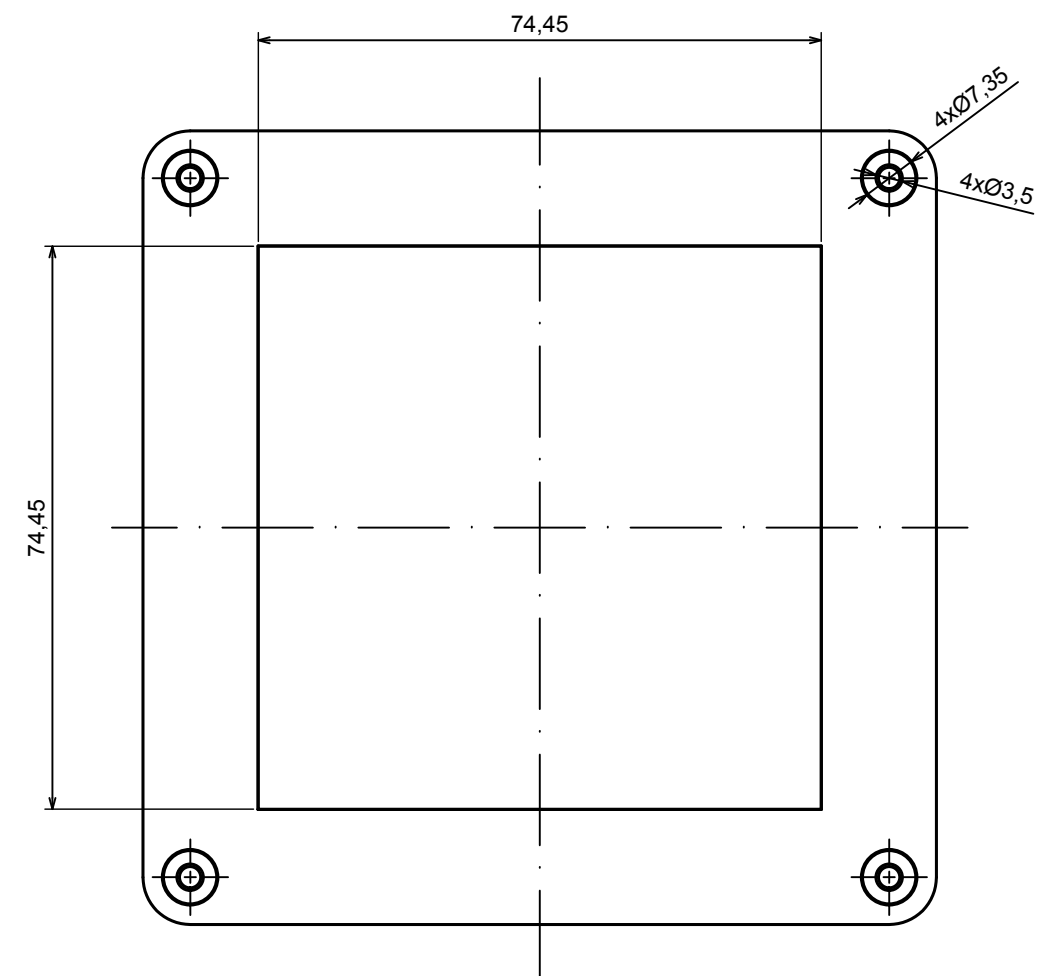
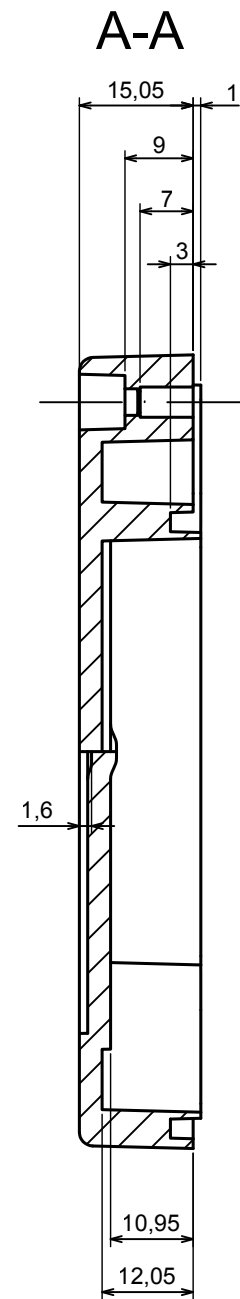
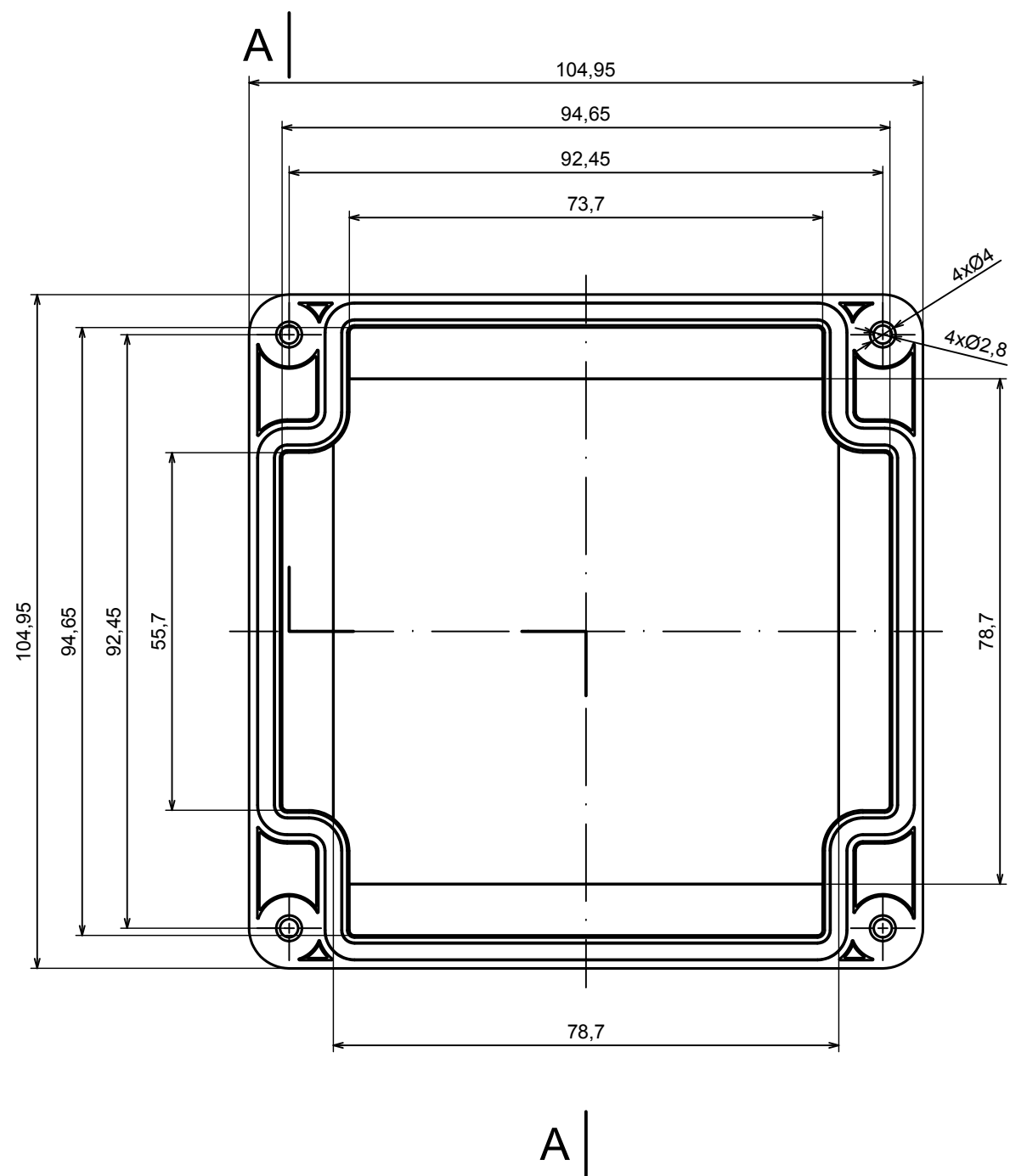
Product model Enclosure ZP105.105.75H TM - Assembly

Format: A3 Material: PC, ABS

Scale 1:1 Tolerance: +/- 0.5







All rights reserved, Copyright Kradox 2019	
Product model	Enclosure ZP105.105.75H TM - Cover ZP105.105.15H
Format: A3	Material: PC, ABS
Scale 1:1	Tolerance: +/- 0.5

