

GX 系列连接器 GX series connector

GX型电连接器广泛用于各种电子仪器、机械电气设备之间的电路连接。

GX-type electrical connectors are widely used in various electronic instruments, mechanical and electrical equipment, electrical connections between.

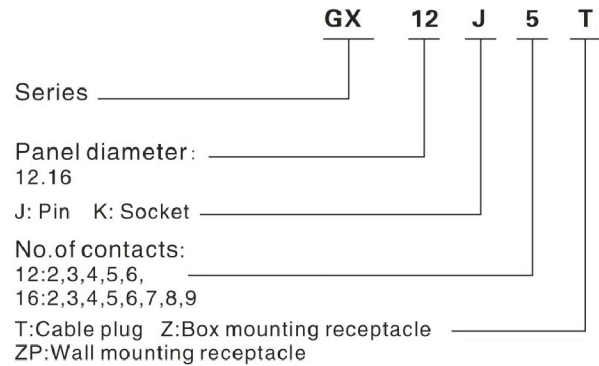
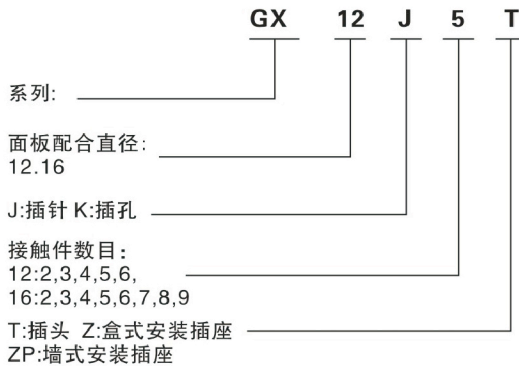


GX16 系列连接器 GX16 Series Connector



GX12 系列连接器 GX12 Series Connector

命名 How to order



GX16 系列连接器 GX16 Series Connector

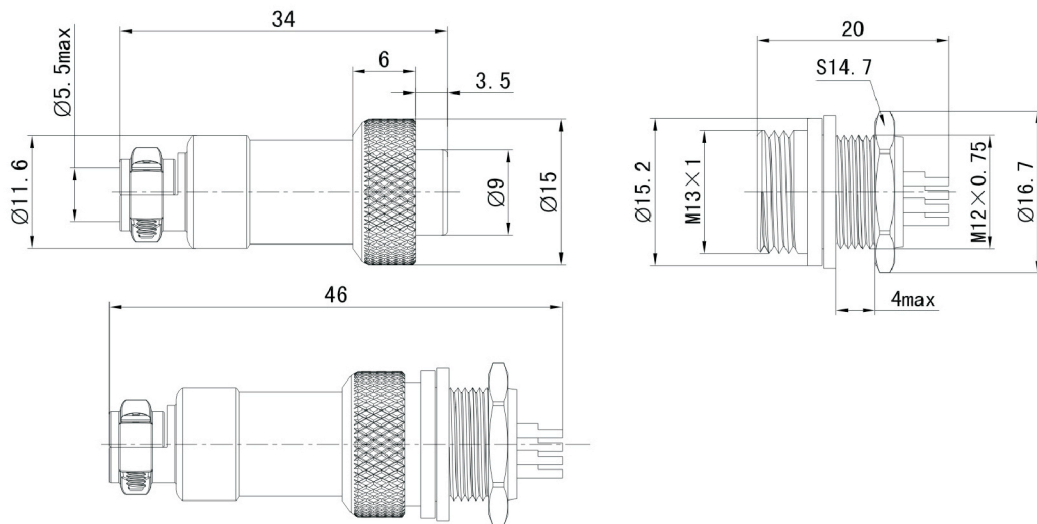
| 外型尺寸 Shell size | GX16-2 正装 | GX16-3 正装 | GX16-4 正装 | GX16-5 正装 | GX16-6 正装 | GX16-7 正装 | GX16-8 正装 | GX16-9 正装 |
|---|--------------|--------------|--------------|--------------|--------------|--------------|--------------|--------------|
| 接触对排列分布从针的方向看 Contact Arrangements Comply with the needle direction | | | | | | | | |
| 额定电流(A)/电压(V) Rated Current/voltage | 7A-125V | 7A-125V | 7A-125V | 5A-125V | 5A-125V | 4A-125V | 4A-125V | 4A-125V |
| 工作电压(AC.V)一分钟 Operating Limit voltage (AC.V.rms) | 200 | 200 | 200 | 200 | 200 | 200 | 200 | 200 |
| 耐电压(AC.V)一分钟 Withstanding voltage(AC.V.rms)1minute | 1500 | 1500 | 1500 | 1500 | 1500 | 1500 | 1500 | 1500 |
| 绝缘阻抗(MΩ)DV500V Insulation resistance(MΩ Max)AT DC 500V | 2000 | 1500 | 1500 | 1500 | 1500 | 1500 | 1500 | 1500 |
| 接触阻抗(mΩ)DC 1A Contact resistance (mΩ Max)AT DC 1A | 3 | 3 | 3 | 3 | 3 | 3 | 3 | 3 |
| 接触对孔径φ (mm) Solder inter diameter | 2.5 | 2.5 | 2.5 | 2 | 1.2 | 1.2 | 1.2 | 1.0 |

GX 系列连接器 | GX series connector

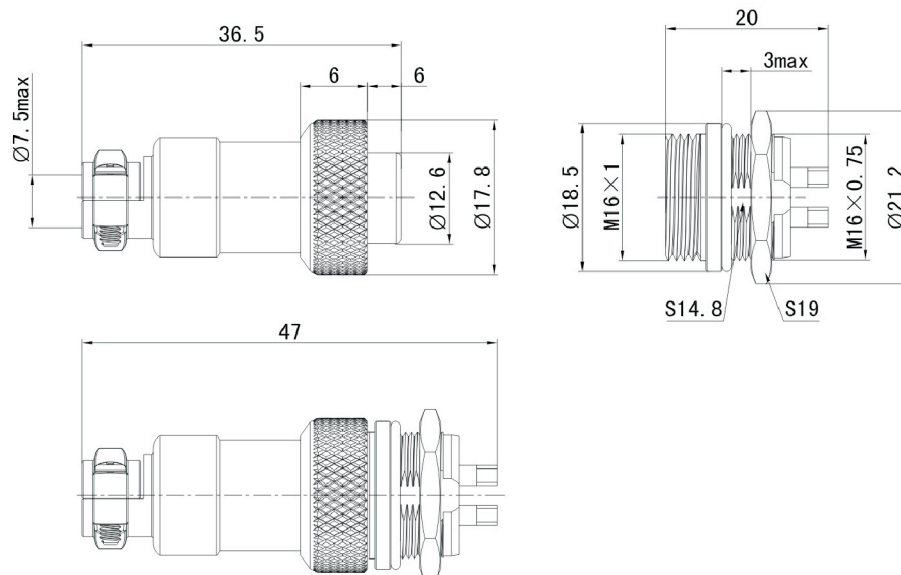
GX12 系列连接器 GX12 Series Connector

| 外型尺寸 Shell size | GX12/RS765-2 正装 | GX12/RS765-3 正装 | GX12/RS765-4 正装 | GX12/RS765-5 正装 |
|---|--------------------|--------------------|--------------------|--------------------|
| 接触对排列分布从针的方向看 Contact Arrangements Comply with the needle direction | | | | |
| 额定电流(A)/电压(V) Rated Current/voltage | 7A-125V | 7A-125V | 5A-125V | 5A-125V |
| 工作电压(AC.V)分钟 Operating Limit voltage (AC.V.rms) | 200 | 200 | 200 | 200 |
| 耐压(AC.V)一分钟 Withstanding voltage(AC.V.rms)1minute | 1500 | 1500 | 1500 | 1500 |
| 绝缘阻抗(MΩ)DV500V Insulation resistance(MΩ Max)AT DC 500V | 2000 | 200 | 200 | 200 |
| 接触阻抗(mΩ)DC 1A Contact resistance (MΩ Max)AT DC 1A | 3 | 3 | 3 | 3 |
| 接触对孔径 φ (mm) Solder inter diameter | 1.2 | 1.2 | 1.2 | 1.2 |

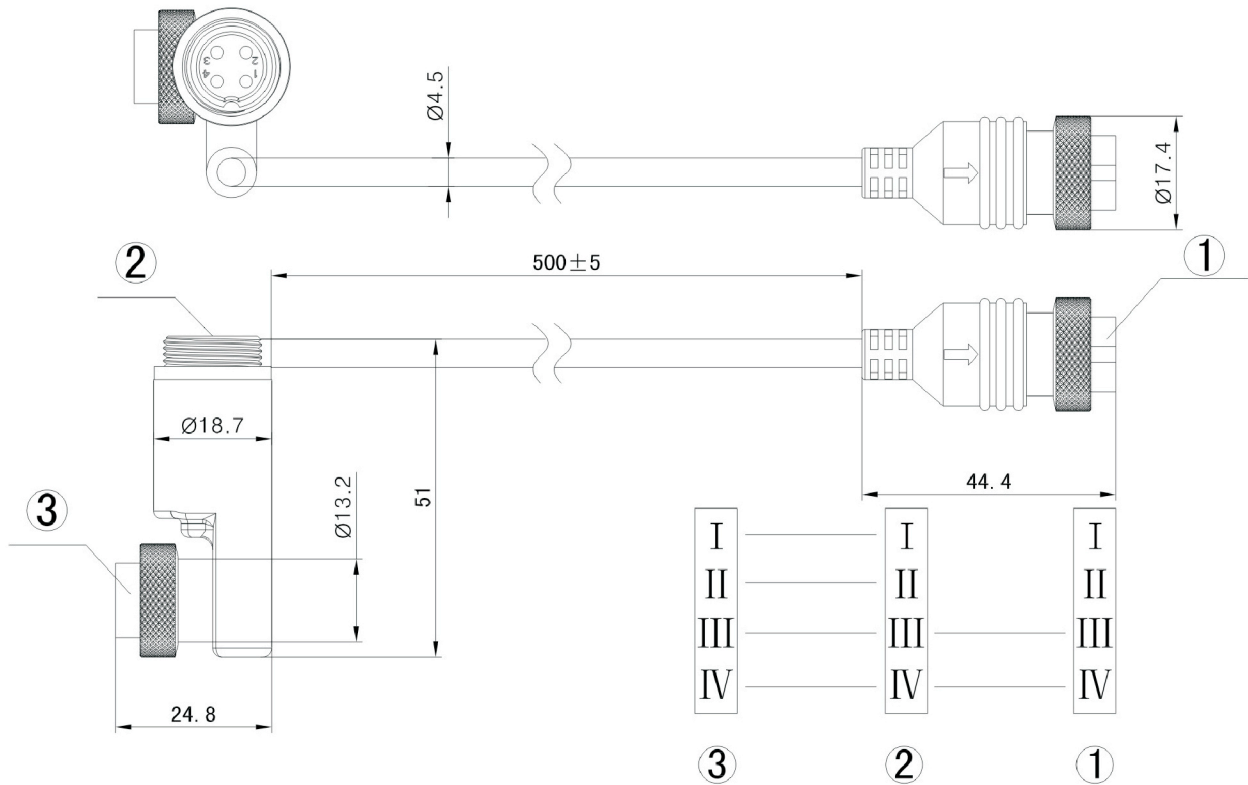
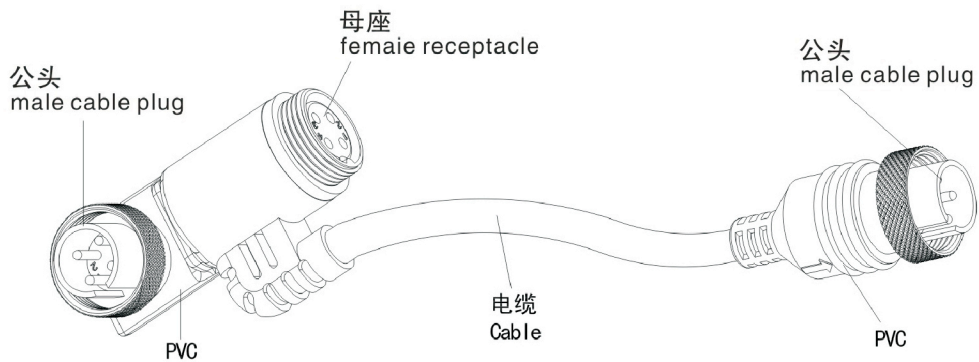
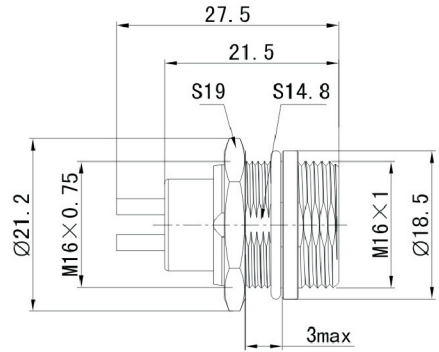
GX12



GX16



GX 系列连接器 | GX series connector



| 接触对排列分布从针的方向看 Contact Arrangements Comply with the needle direction | 额定电流/电压 Rated Current/voltage | 工作电压(AC.V)分钟 Operating Limit voltage (AC.V.rms) | 绝缘阻抗(MΩ)DV500V Insulation resistance (MΩ MIX)AT DC 500V | 接触阻抗(MΩ)DC 1A Contact resistance (MΩ Max)AT DC 1A | 接触对孔径Φ (mm) Solder inter diameter |
|---|----------------------------------|---|---|---|---|
| | 5A-125V | 200 | 1500 | 3 | 1.6 |