



Features :

- Single Set Point
- On delay / Interval
- 2 C/O DPDT
- 6 Time Ranges
- Down Counting

Certification :

Display Specifications

Display	3 digits, 7 segment LED
LED Indications	Relay ON

Input Specifications

Accuracy	±0.05% of F.S. or 50msec
Start Input	Pulse start

Output Specifications

Relay Contact	2 C/O DPDT
Contact Rating	5A @ 230V AC

Functional Specifications

Modes	ON delay / Interval
Time Ranges	0 - 9.99sec 0 - 99.9sec 0 - 999sec 0 - 99.9min 0 - 999min 0 - 99.9hr
Resolution	0.01sec
Counting Direction	Down
Set Point	1
Time Setting	Pushwheel
Reset	Front, Remote, On power interruption
Memory Retention	No

Auxiliary Supply Specifications

Supply Voltage	90 to 270V AC / DC (50 / 60Hz) 24V AC/DC (Optional)
----------------	--

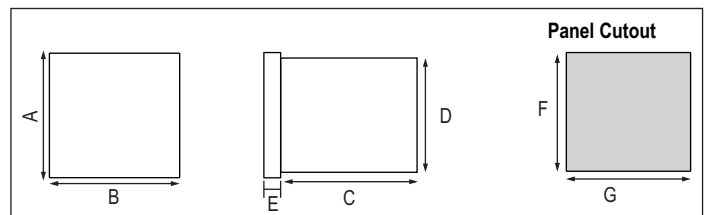
Environmental Specifications

Temperature	Operating : 0 to 50°C Storage : -5 to 55°C
Humidity (non - condensing)	95% RH

Mechanical Specifications

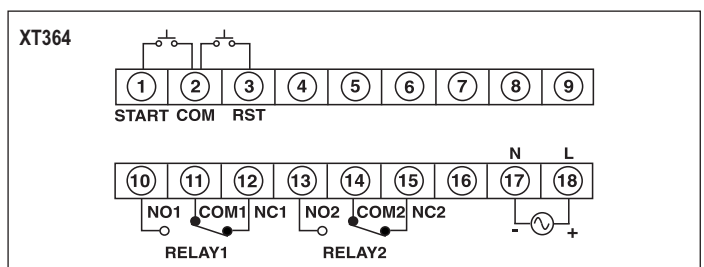
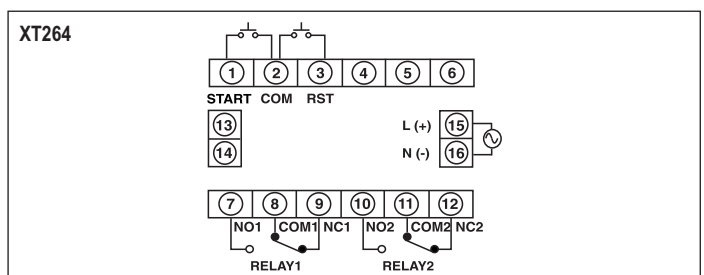
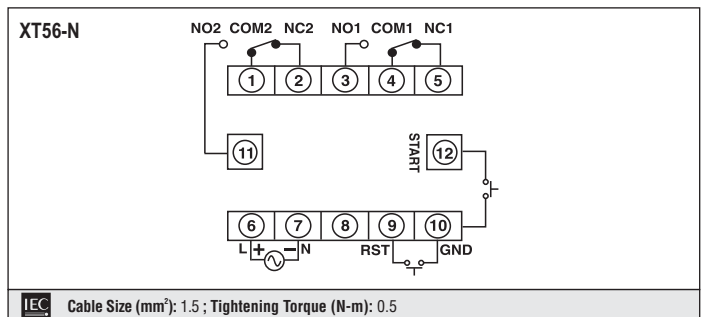
Mounting	Panel Mount
Weight	XT56-N - 170gms XT264 - 325gms XT364 - 350gms

Dimensions

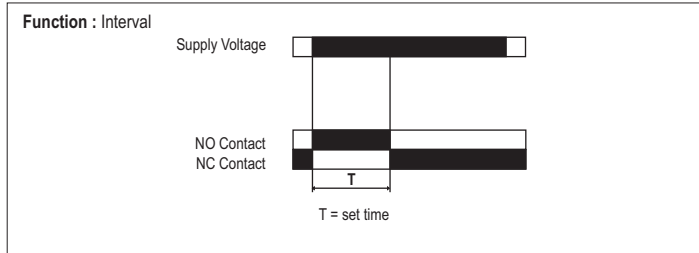
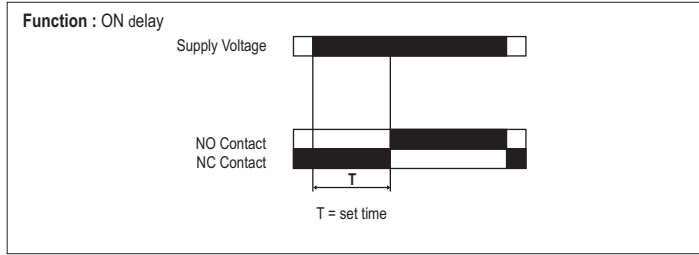


Models	DIM	A	B	C	D	E	F	G
XT56-N		48	48	100	45	7	46	46
XT264		72	72	115	68	10	69	69
XT364		96	96	70	90	10	92	92

Terminal Connections



TIMING DIAGRAMS



Compliance

Applicable EMI / EMC Standards		
Product Standard		
Category	Reference Standards	Testing Level
Electrostatic Discharge	IEC 61000-4-2	Level-3
Electrical Fast Transient / Brust	IEC 61000-4-4	Level-3
Electromagnetic Field	IEC 61000-4-3	Level-3
Surge	IEC 61000-4-5	Level-3
Conducted RF	IEC 61000-4-6	Level-2
Rated Power Frequency	IEC 61000-4-8	Level-4
Voltage Dip / Short Interruptions	IEC 61000-4-11	Level-3
Conducted Emissions	CISPR-11	Class-B
Rated Emissions	CISPR-22	Class-A
Emission & Immunity	IEC 61326-1	
Safety	IEC 61010-1	
PFMF (Passing criteria)	IEC 61000-4-8	Class A

Ordering Information

Product Code	Supply Voltage	Certification
XT56-N	90 to 270V AC / DC	---
XT56N-24V	24V AC / DC	---
XT56-N-CE	90 to 270V AC / DC	CE
XT264-3	90 to 270V AC / DC	---
XT364-3	90 to 270V AC / DC	---