

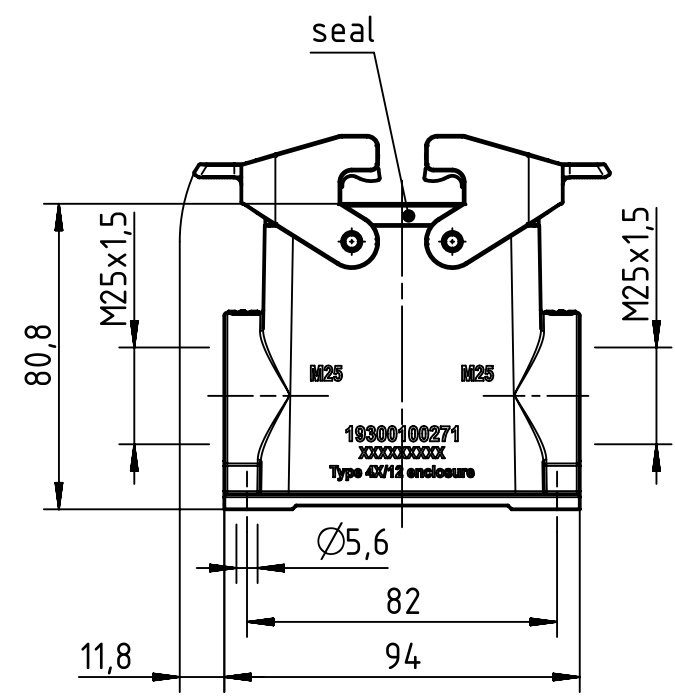
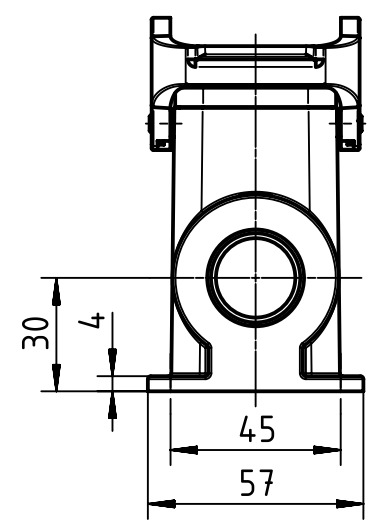
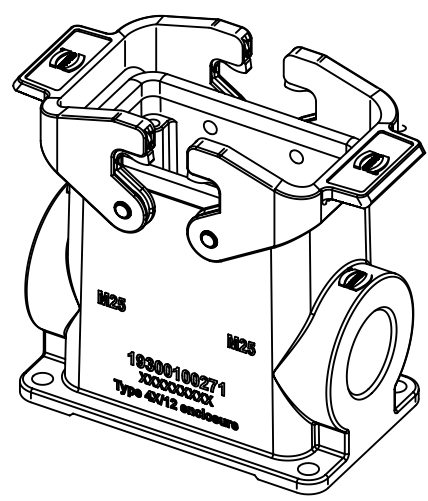
1 2 3 4 5 6

A

B

C

D



	All Dimensions in mm Original Size DIN A4		Scale 1:2	Free size tol.		Ref. Sub. TB 19 30 010 0271 v. 19.02.09			
		All rights reserved Department EL PD - DE		Created by RULLKOETTER	Inspected by BERGHORN	Standardisation TIEMANNA	Date 2016-05-23	State Final Release	
HARTING Electric GmbH & Co. KG D-32339 Espelkamp				Title Han 10B-HSM-DL-2xM25			Doc-Key / ECM-Nr. 100209276/UGD/006/C 500000101991		
				Type TB	Number 19 30 010 0271			Rev. C	Page 1/1