



# R1 SERIES

## FEATURES

- Miniature reed relay, cost-effective, switching solution
- Pin out 1357 & 1267
- Diode version are available for customer selection
- Washable type
- Using at security system, modem and other telecommunication products



UL FILE NO.: E126157  
 CUL FILE NO.: E126157

## ORDERING INFORMATION

R1
—
D
 
1A
 
05
 
00

1                      2                      3                      4                      5

- |                         |                   |
|-------------------------|-------------------|
| 1. Type                 | 5. Terminals Type |
| 2. Diode                | 00: Pin Out 1357  |
| Nil : Standard Type     | 50: Pin Out 1267  |
| D : With Diode          |                   |
| 3. Contact Arrangement  |                   |
| 1A : 1 Form A           |                   |
| 4. Coil Nominal Voltage |                   |

## CONTACT RATING

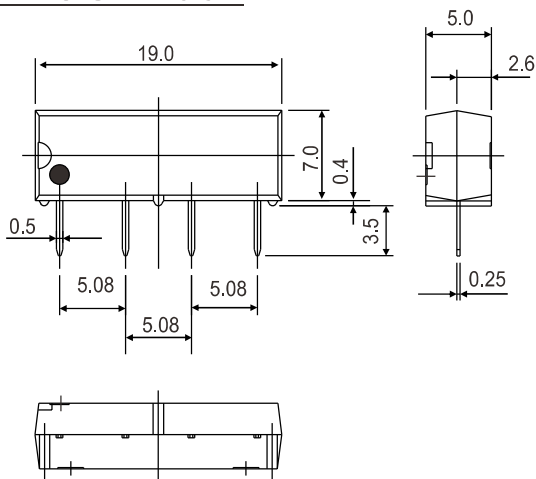
Resistive (Cos. $\theta$ = 1)	Switch Current	0.5 ADC Max.
	Carry Current	1.0 ADC Max.

## COIL DATA

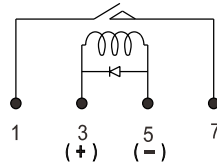
Coil Nominal Voltage (VDC)	Maximum Operate Voltage(V)	Resistance Tol. $\pm$ 10% (Ohms)	Maximum Pick Up Voltage(V)	Minimum Drop Out Voltage (V)	Nominal Input Power (mW)
5	16	500	3.75	0.8	50
12	20	1,000	9.0	1.0	144
24	32	2,150	18.0	2.0	268

## DIMENSIONS: ±0.2mm

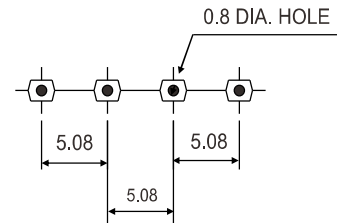
### PIN OUT 1357



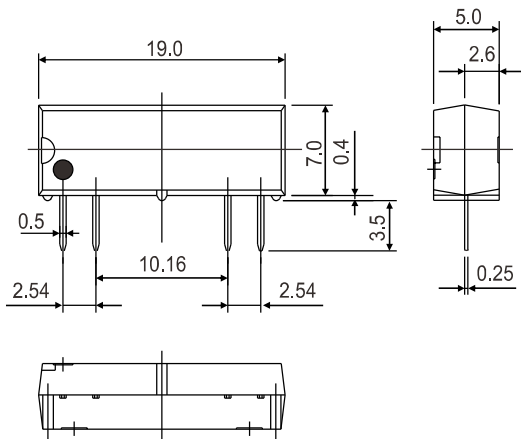
WIRING DIAGRAM  
(BOTTOM VIEW)



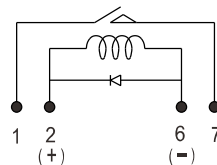
P.C.B LAYOUT  
(BOTTOM VIEW)



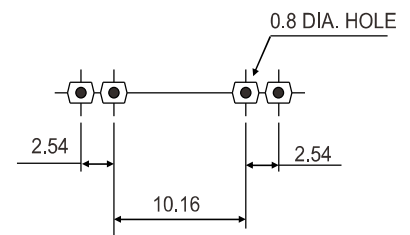
### PIN OUT 1267



WIRING DIAGRAM  
(BOTTOM VIEW)



P.C.B LAYOUT  
(BOTTOM VIEW)



## GENERAL DATA

Insulation Resistance	1,000 MΩ Min. (DC 100V)
Dielectric Strength	250 VDC between contact.
	1,400 VDC between all elements.
Contact Material	Silver- Cadmium Oxide as standard.
Contact Resistance	150 milliohms max. ( initial value )
Switching Current	1A, 2A, 1B : 0.5ADC Max., 1C : 0.2ADC Max.
Carry Current	1A, 2A, 1B : 1.0ADC Max., 1C : 0.5ADC Max.
Switching Power	1A, 2A, 1B : 10VA Max. 1C : 3VA Max.
Operation Time	1 ms max.
Release Time	0.5 ms max.
Temperature Range	- 40°C ~ + 85°C
Expected Life	With operation rate 30/min. Mechanical - 10,000,000 operations min. Electrical - 100,000 operations min. at rated load.
Weight	1.4 grams