

REV.	DESCRIPTION	DRAWN	CHECKED	APPROVED
A	NEW RELEASE	YCH 08/17/07'	~	

NOTES:

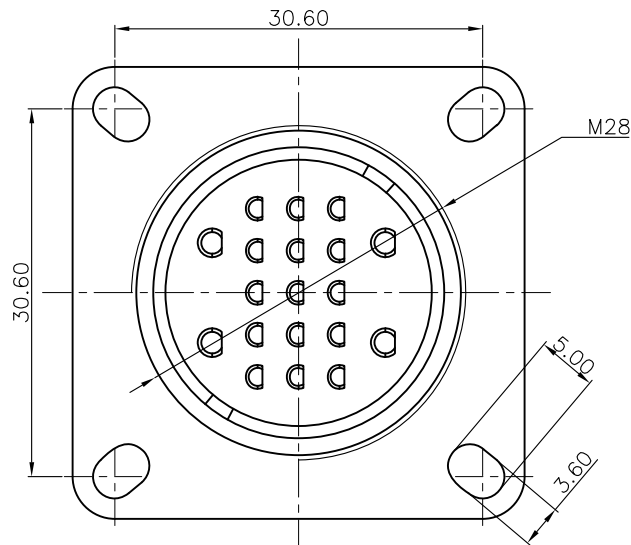
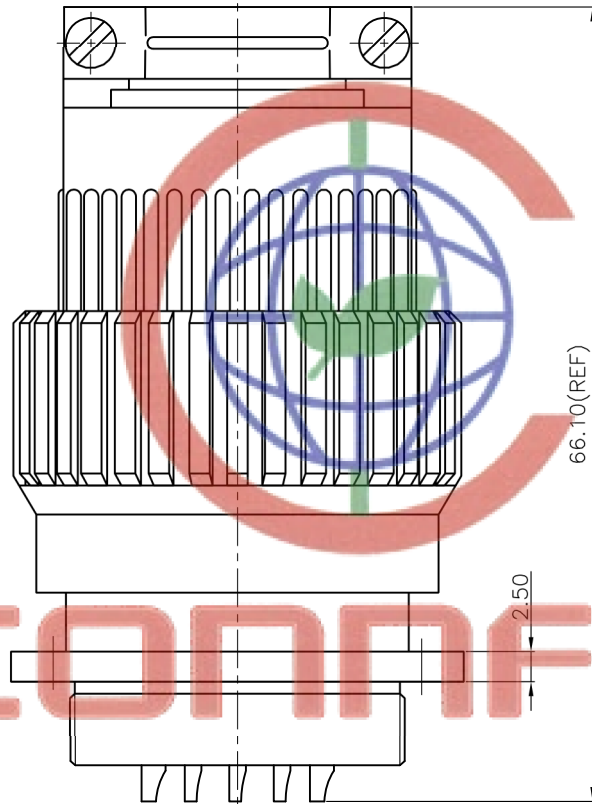
1.SPECIFICATION

- .CURRENT RATING: 5A Max.
- .DIELECTRIC WITH STANDING VOLTAGE: 500V(AC)
- .CONTACT RESISTANCE: 100mΩ Max.
- .INSULATION RESISTANCE: 1000MΩ(DC)Min.

2.PRODUCT NUMBER CODE:


DS1110-10 - X X X X

- └ SHELL SURFACE FINISHED
P1:SPRAY THE PAINT (GREEN)
- └ CONTACT PLATING
8: FULL GOLD FLASH
- └ COLOR OF HOUSING:
L: BLUE
- └ No. OF CONTACTS
19: 19pin



Tel: 86-574-63508787

Fax: 86-574-63510817

GENERAL TOLERANCE	ANGLE TOLERANCE	PROJECTION	TITLE
X. ±0.60	X. ±5°	UNITS	MICRO JACK CONNECTOR
.X ±0.38	X ±3°	SHEET SIZE	SERIES DS1110-10 SERIES
.XX ±0.25	.XX ±2°		
DRAWING TYPE	CUSTOMER	 晨翔电子有限公司 Add: West Gaomin Town Cixi Ningbo China CONNFLY CONNFLY ELECTRONIC CO. LTD	
SCALE	1:1 SHEET 1 OF 1		
DRAWING NO.	C-DS1110-10-XXX		

P.C.:315821