

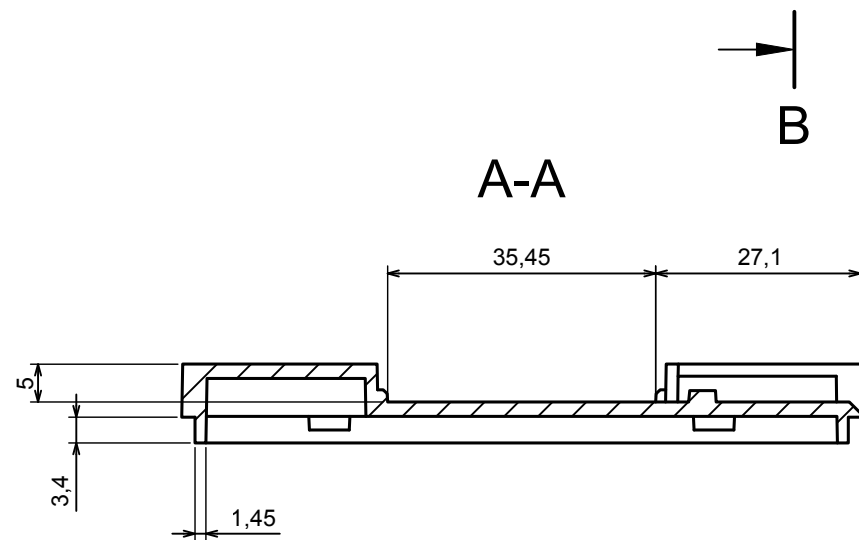
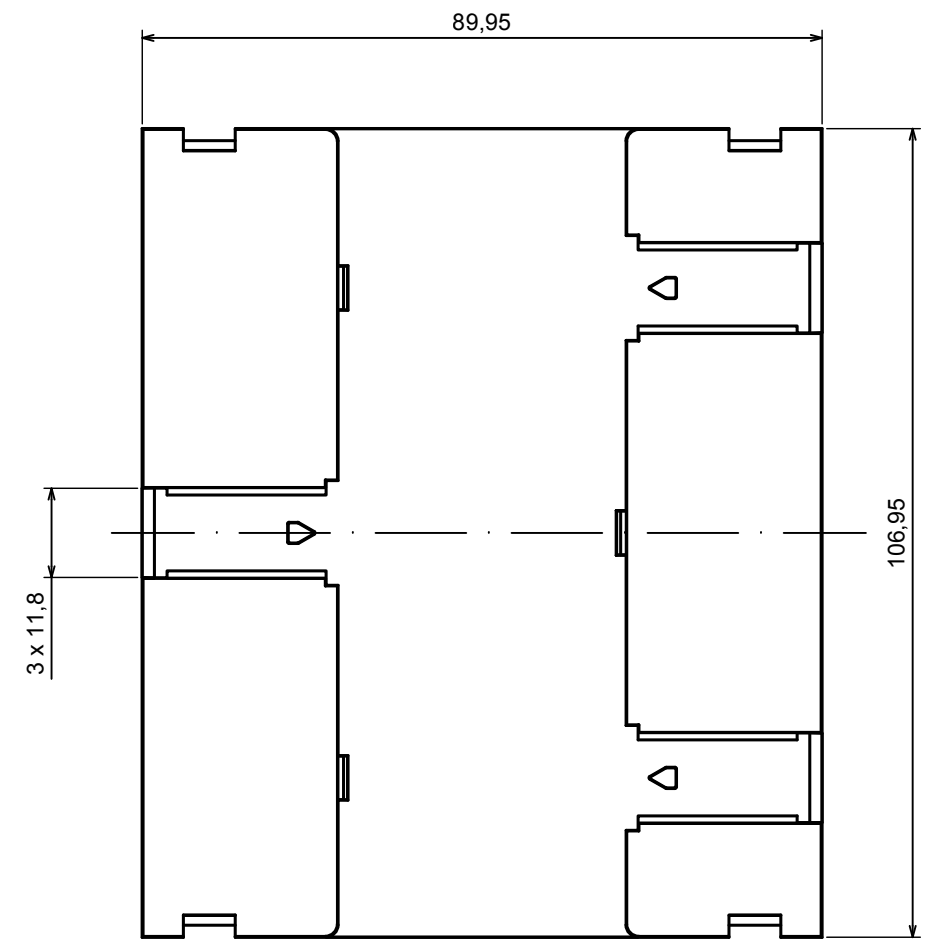
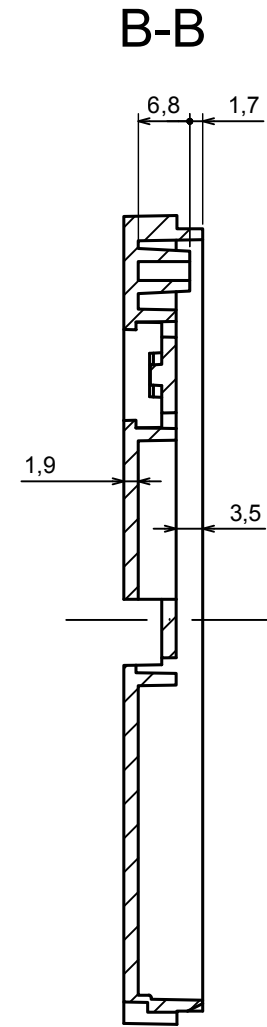
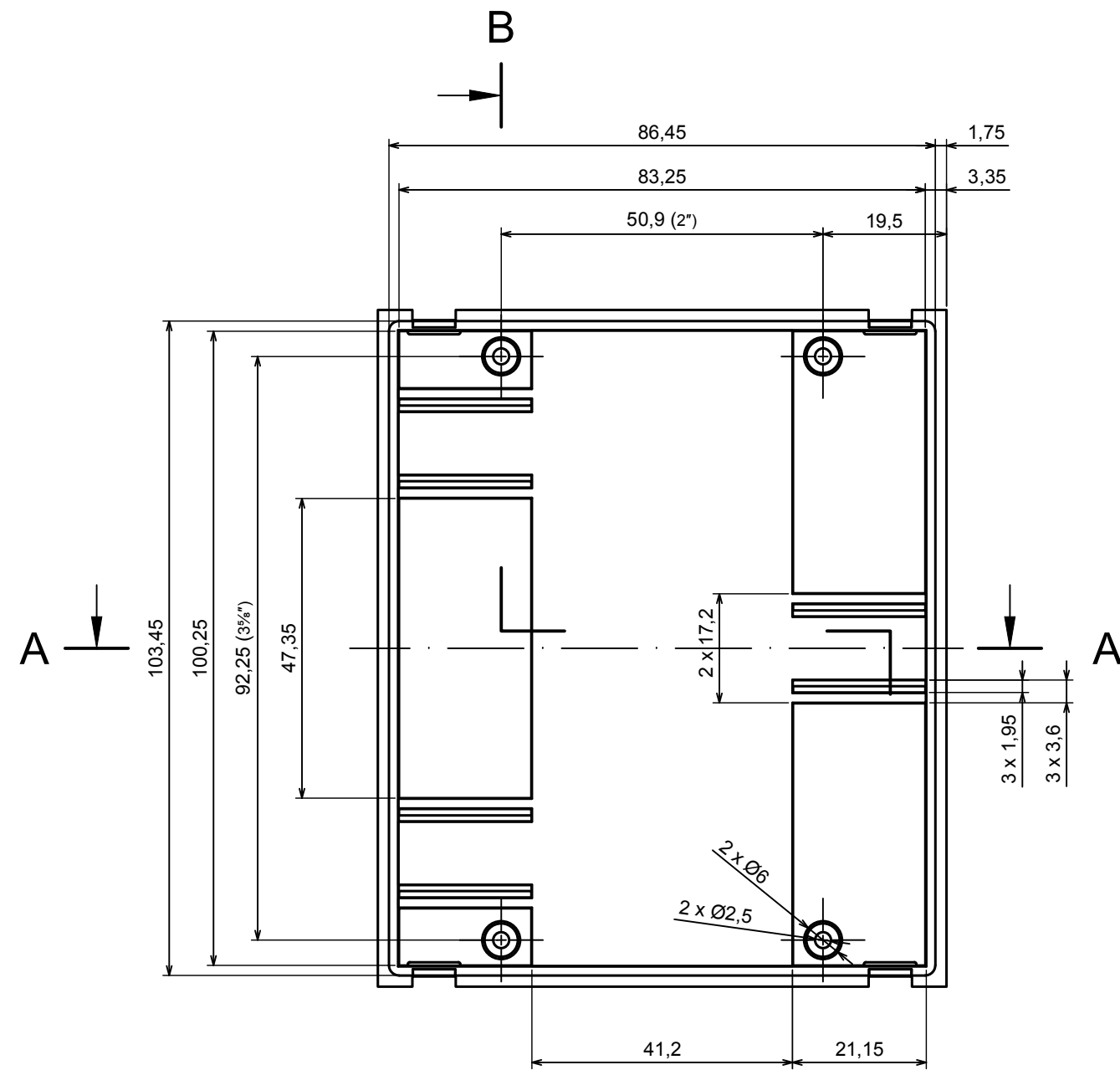
All rights reserved. Copyright Kradox 2019


Product model	Enclosure ZD1006 - Assembly
---------------	-----------------------------

Format: A3	Material: ABS
------------	---------------

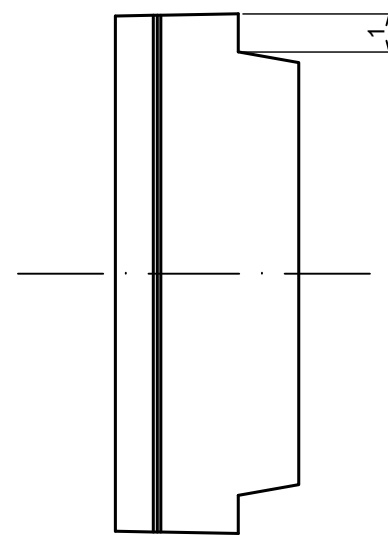
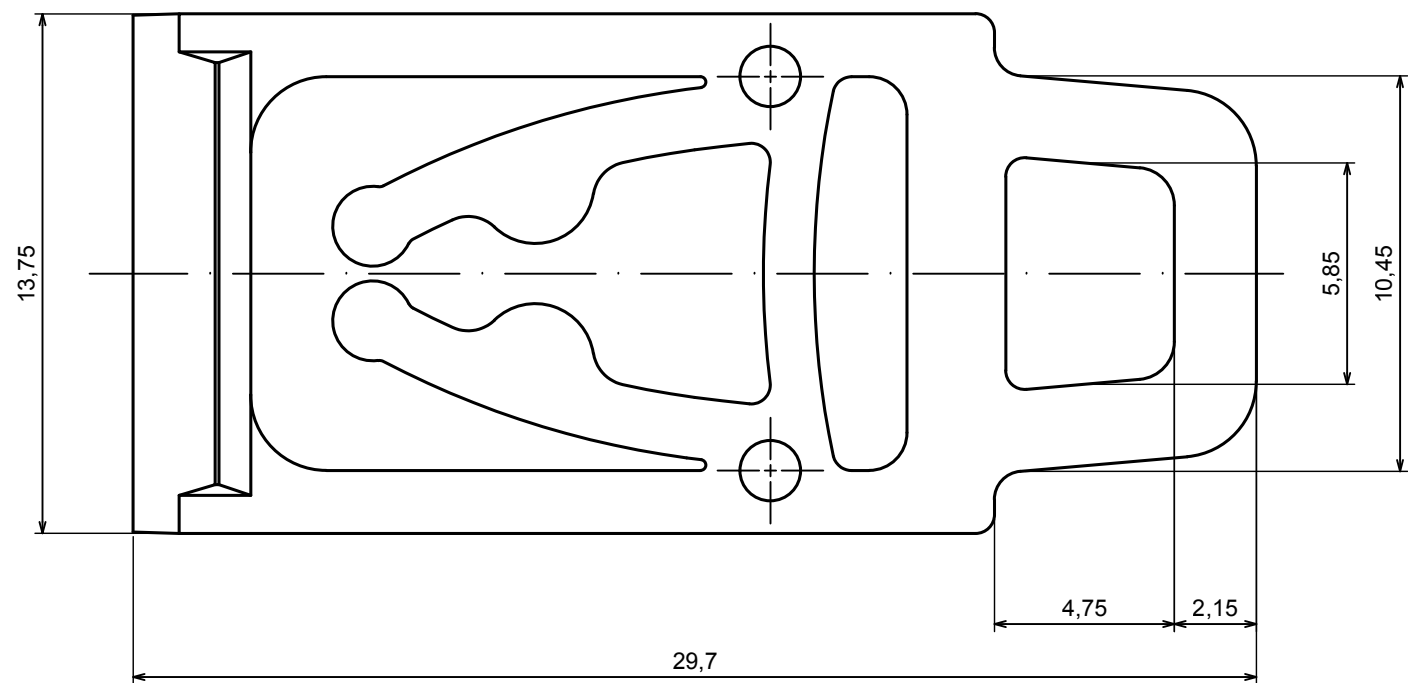
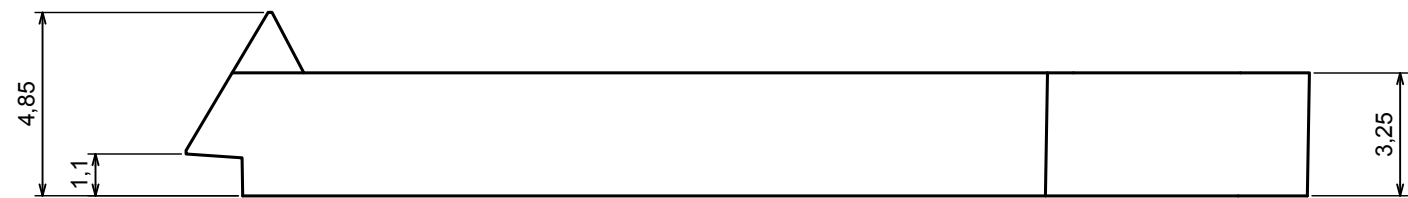
Scale 1:1	Tolerance: +/- 0,5
-----------	--------------------





All rights reserved. Copyright Kradox 2019		
Product model	Enclosure ZD1006 - Base	
Format: A3	Material: ABS	
Scale 1:1	Tolerance: +/- 0,5	





All rights reserved. Copyright Kradox 2019

Product model Enclosure ZD1006 - Hook

Format: A3 Material: ABS

Scale 5:1 Tolerance: +/- 0,5

