

5mm Super Bright Red Blinking LED Lamps B500ITH4F

5mm Blinking with AlGaInP Dices
 Encapsulated with Water Clear lens Package
 Long Leads
 Building in I.C. (2.4Hz)

Absolute Maximum Ratings :

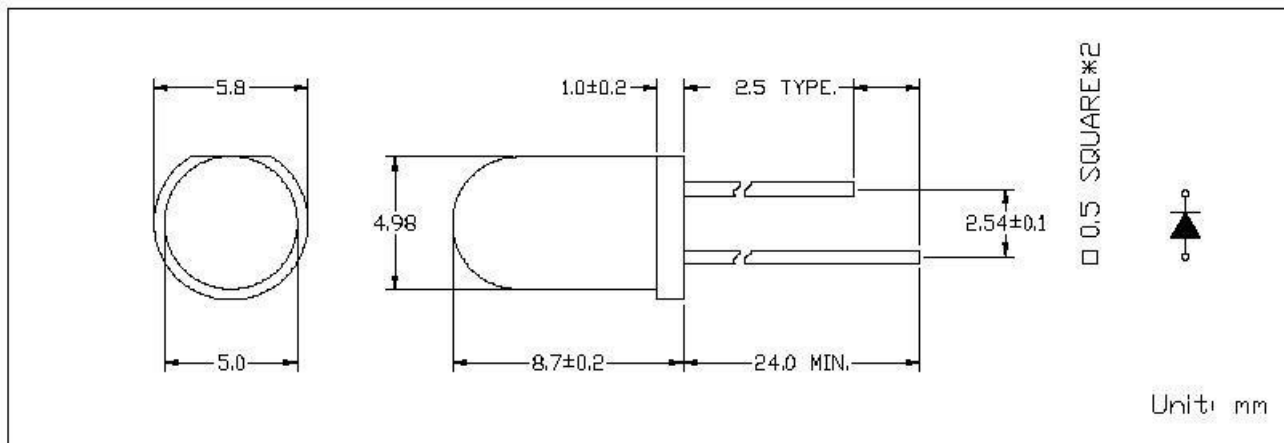
Parameter	Maximum Rating	Unit
Peak Forward Current	120	mA
Continuous Forward Current	30	mA
Operating Temperature Range	-20 to +75	
Storage Temperature Range	-40 to +100	
Lead Soldering Temperature	260 for 3 seconds 1.6mm (0.063 inch) from body	

Electro-Optical Characteristics $T_a = 25$

Parameter Radiant	Test Condition	Symbol	Min.	Typ.	Max.	Unit
Forward Voltage	$I_f = 20\text{mA}$	V_f		2.0	2.4	V
Reverse Current	$V_r = 5\text{V}$	I_r			10	μA
Luminous Intensity	$I_f = 20\text{mA}$	I_v		1500		mcd
Spectral Bandwidth	$I_f = 20\text{mA}$	$\Delta\lambda$				nm
Wavelength	$I_f = 20\text{mA}$	λ_p		635		nm
		λ_d		625		nm
Half View Angle	$I_f = 20\text{mA}$	$2\theta_{1/2}$		80		deg

Package

Item: 500



Unit: mm