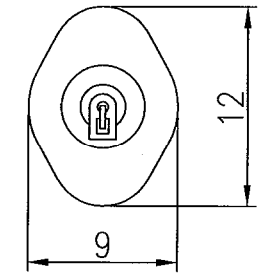
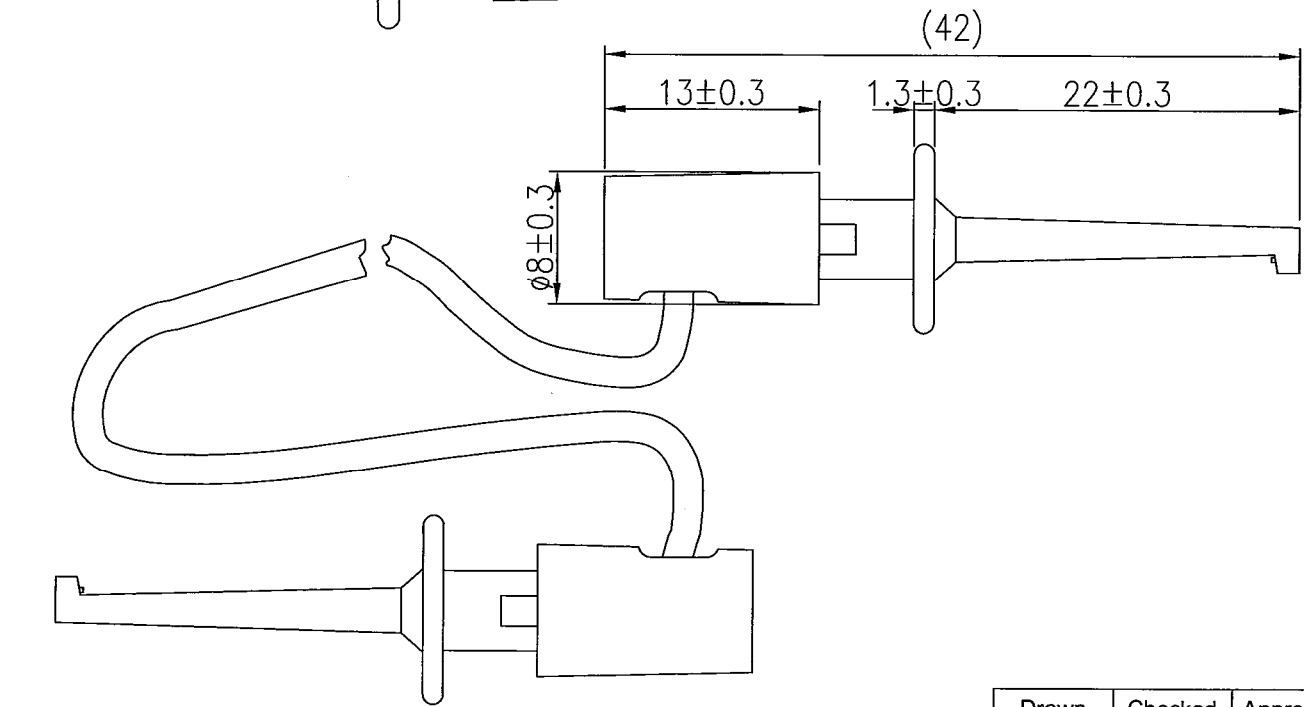
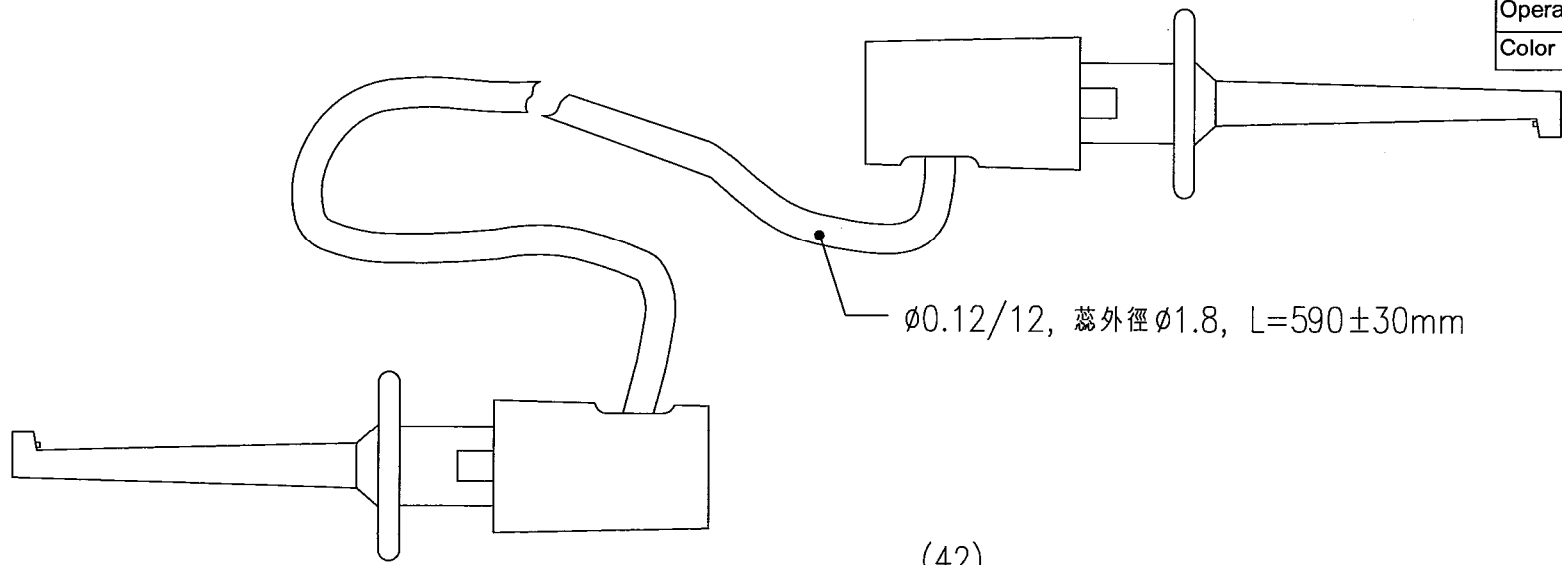


Rating	300mA
Insulation Resistance	DC 500V 100M ohm Min.
Dielectric Strength	AC 500V 1 minute
Operation Temperature	-20°C~80°C
Color	Black*1, Red*1



原稿
2018.5.17
研發部

Tolerances Unless Otherwise Specified ± 0.5

			△	Drawn	Checked	Approved	SCI BOM No.	1510078	Model Name	IC CLIPS	
			△	林珮呈		<i>ELB</i>	Customer No.		Model No.	R8-39	Rev.
Date	Name	Description	No.	5/14/18		5/14/18	Unit	mm	Shin Chin Industrial Co., Ltd.		0