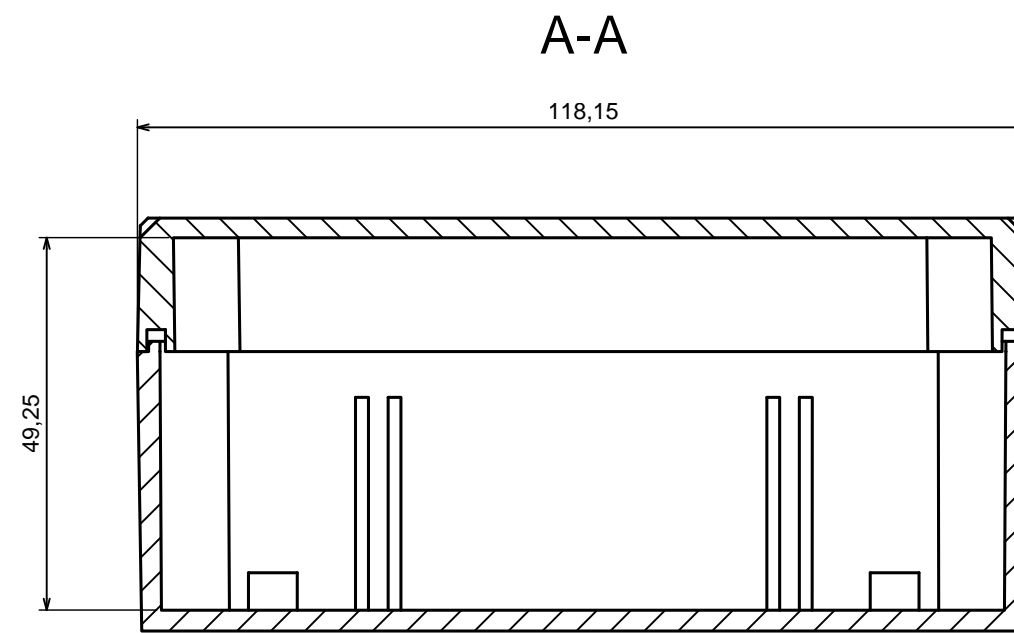


A |



All rights reserved, Copyright Kradex 2016

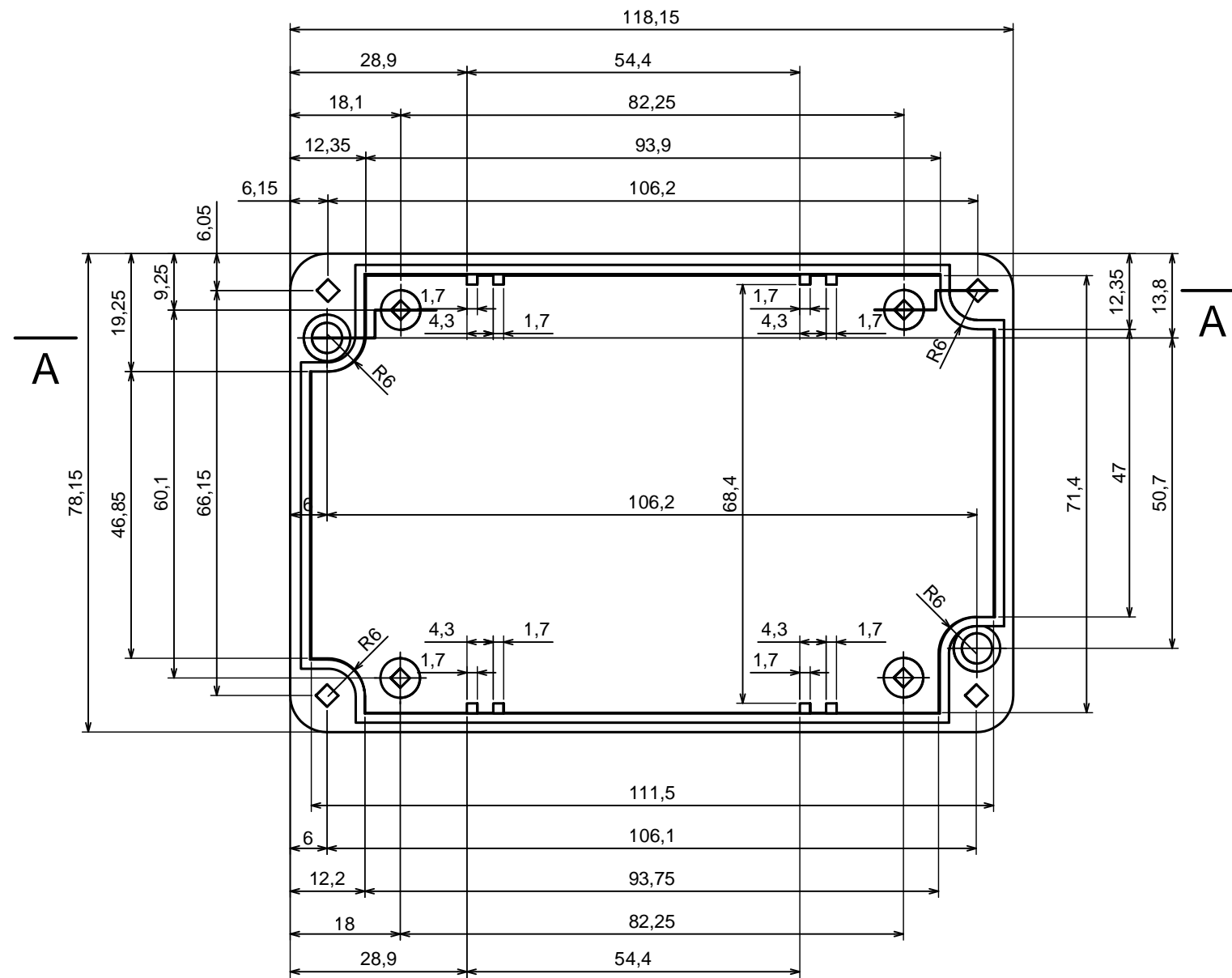
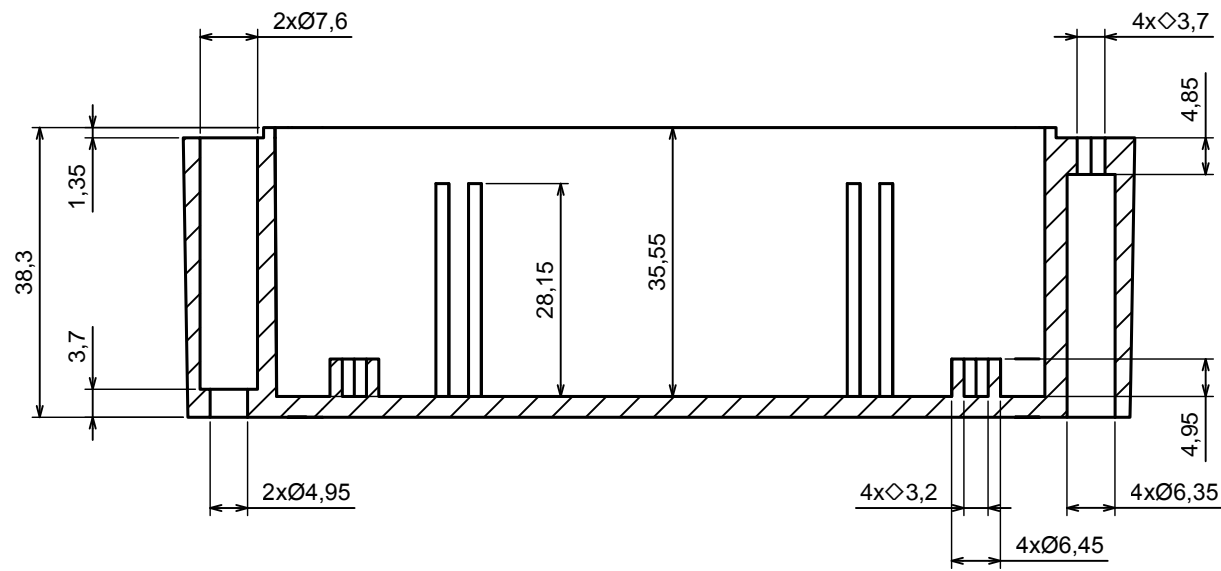
Product model	Enclosure Z57 - assembly
---------------	--------------------------

Format: A3	Material: PS, ABS
------------	-------------------

Scale 1:1	Tolerance: +/- 0.5
-----------	--------------------



A-A



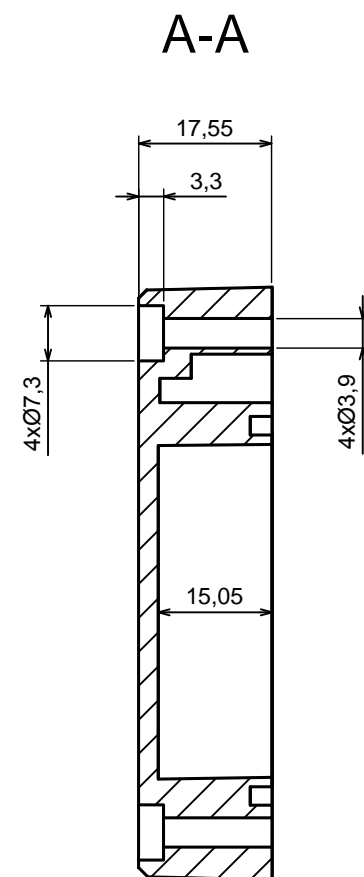
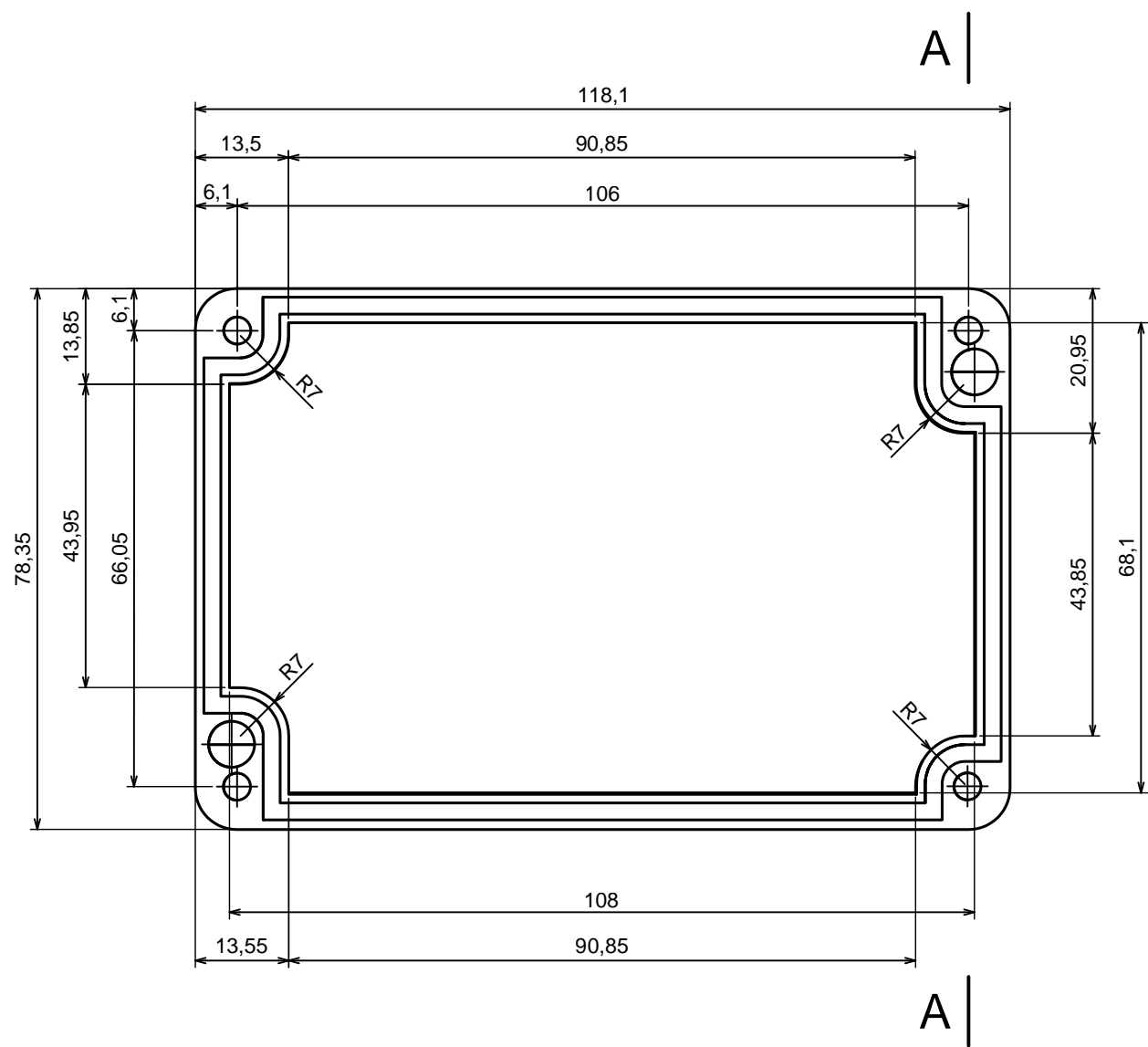
All rights reserved, Copyright Kradex 2016

Product model	Enclosure Z57 - base
---------------	----------------------

Format: A3	Material: PS, ABS
------------	-------------------

Scale 1:1	Tolerance: +/- 0.5
-----------	--------------------





All rights reserved, Copyright Kradox 2016

Product model Enclosure Z57 - cover

Format: A3 Material: PS, ABS

Scale 1:1 Tolerance: +/- 0.5

