

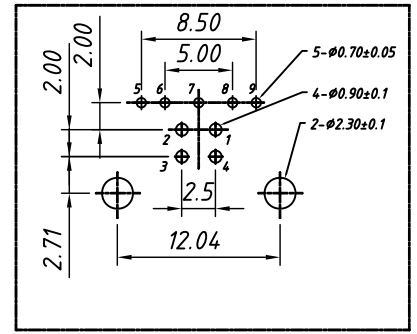
**Material**  
 Housing: Thermoplastic, Glass Fiber Filled, UL 94-HB  
 Cover: Thermoplastic, Glass Fiber Filled, UL 94 V-0  
 USB2.0 Contact: Copper Alloy, Gold.  
 USB3.0 Contact: Copper Alloy, Gold.  
 Shell: Brass/Spcc, Nickel(Ni) T=0.30MM

**Electrical**  
 Contact Current Rating: 1.5 A For  
 Pin1&Pin4 0.25 A Other Contacts.  
 Withstanding Voltage: 100vac(Rms)  
 Contact Resistance: 30mΩ Max(Initial) For  
 Pin1&Pin4  
 50mΩ Max(Initial) For Other Contacts  
 10mΩ Max Change For Post Test Llc  
 Insulation Resistance: 1000mΩ Min

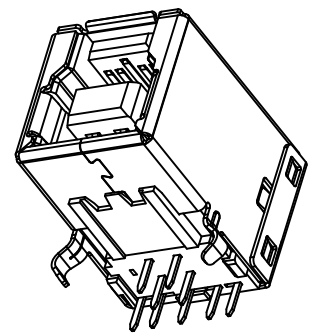
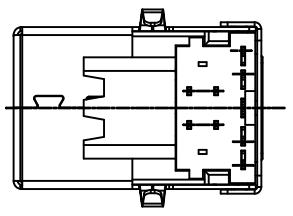
**Mechanical**  
 Operating Temperature: -40°C TO +85°C.  
 Mating Force: 35N MAX  
 Unmating Force: 10N MIN.

**Order Information**

L-KLS1- 148F - L  
 Color: L:Blue  
 USB 3.0 type B  
 Female Connector  
 RoHS



P.C.B LAYOUT



| GENERAL TOLERANCE | PROJECTION |            | Description:                    |
|-------------------|------------|------------|---------------------------------|
| .X ±0.50          | UNITS      | mm         | USB 3.0 Type B Female CONN. R/A |
| .X ±0.25          | SCALE      | 1:1        |                                 |
| .XX ±0.10         | Draw by:   | Jenny      |                                 |
| ANGLE TOLERANCE   | Check by:  |            | KLS P/N: KLS1-148F              |
| .X ±5°            | Date       | 2018-03-01 | NingBo KLS ELECTRONIC CO.,L TD. |
| .X ±3°            | SHEET      | 1 OF 1     |                                 |
| .XX ±2°           |            |            |                                 |