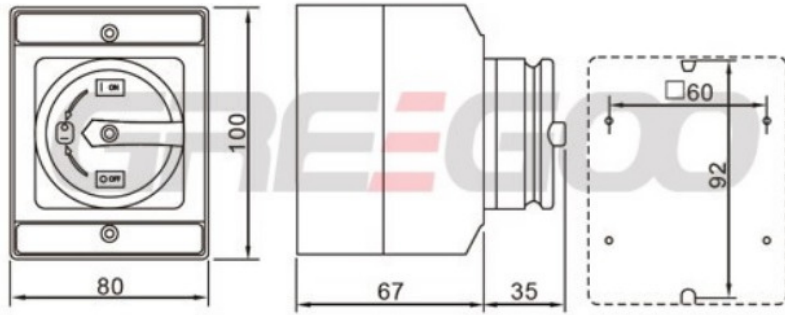


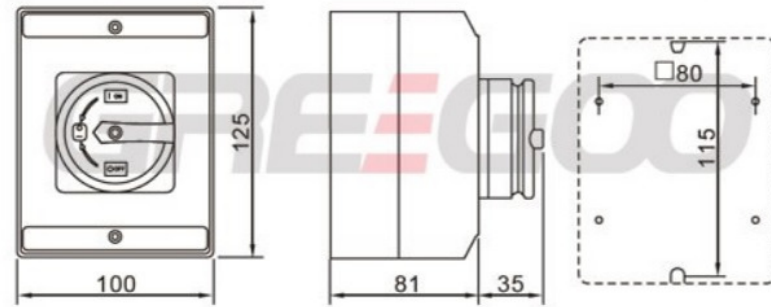
# 16A/20A

# 25A/32A

GR...S0



GR...S1



Order #	Pole No.	Max. rated uninterrupted current (AC-23A)	Operational rating power 380/440VAC (AC-23A)	Mount	IP degree
GR203S	3P	20A	5.5KW	SURFACE	IP65
GR253S	3P	25A	7.5KW	SURFACE	IP65
GR323S	3P	32A	11KW	SURFACE	IP65
GR403S	3P	40A	15KW	SURFACE	IP65
GR633S	3P	63A	22KW	SURFACE	IP65
GR803S	3P	80A	30KW	SURFACE	IP65
GR1003S	3P	100A	37KW	SURFACE	IP65
GR1253S	3P	125A	45KW	SURFACE	IP65
GR204S	3P+N	20A	5.5KW	SURFACE	IP65
GR254S	3P+N	25A	7.5KW	SURFACE	IP65
GR324S	3P+N	32A	11KW	SURFACE	IP65
GR404S	3P+N	40A	15KW	SURFACE	IP65
GR634S	3P+N	63A	22KW	SURFACE	IP65
GR804S	3P+N	80A	30KW	SURFACE	IP65
GR1004S	3P+N	100A	37KW	SURFACE	IP65
GR1254S	3P+N	125A	45KW	SURFACE	IP65