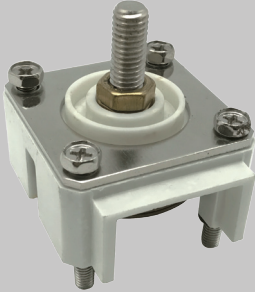
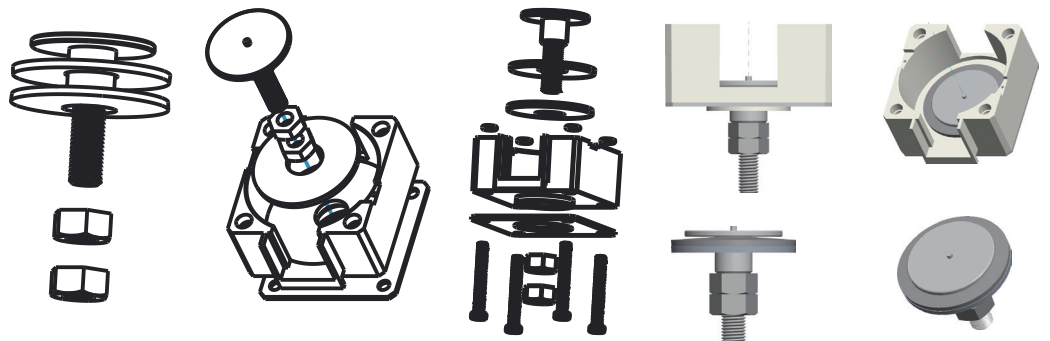
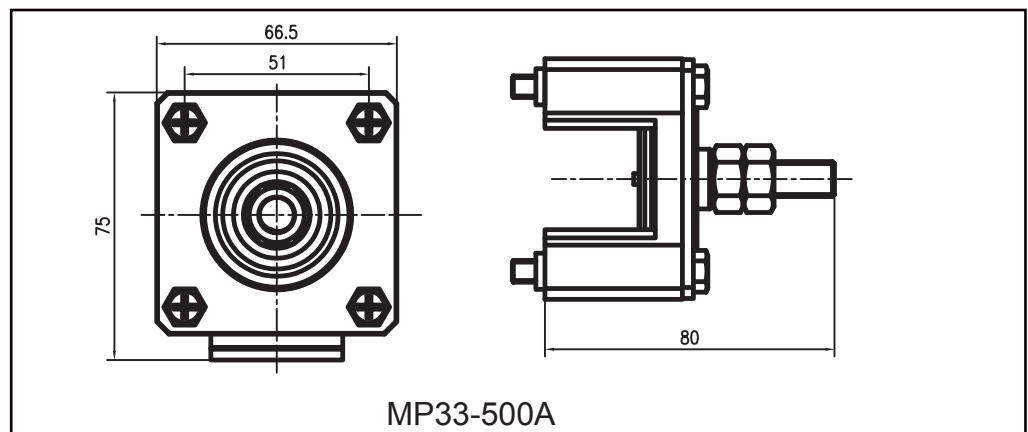
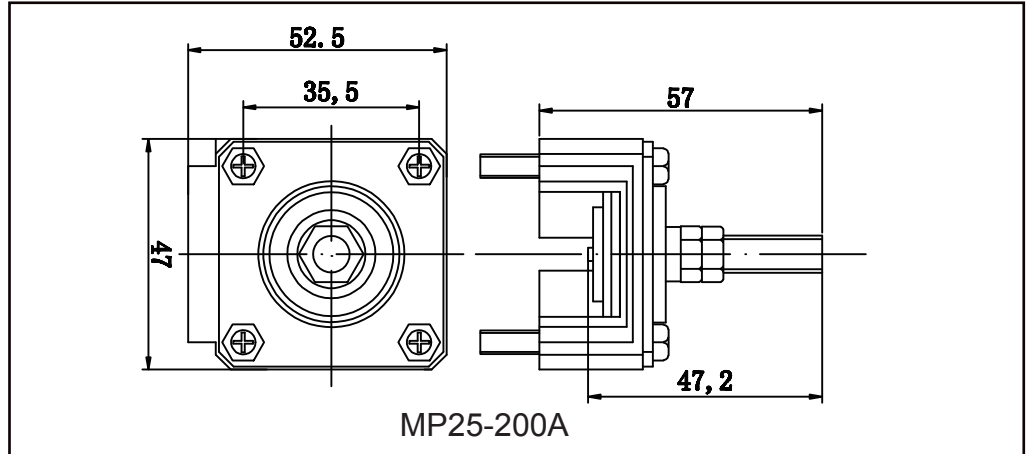


## Power Semiconductors Clamp box



This clamp is a so-called pre-stressed unit. Its main parts are the pressure plate, the spring assembly, the pressure die with nut and washer, and an insulation disk. The spring assembly is pre-stressed as per the type marking and is fixed by the central nut.



Type	Number of devices	Outlines of devices	Rth(c-p)(°C/W)	Rth(p-hs)(°C/W)
MP25-200A	1	KT19aT KT25aT	0.095	0.012
MP33-500A	1	KT33CT	0.090	0.010