


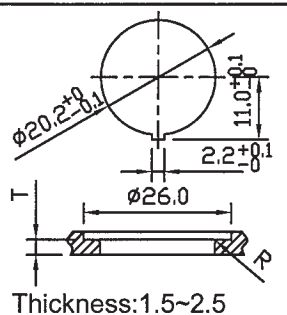
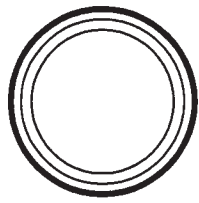
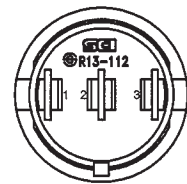
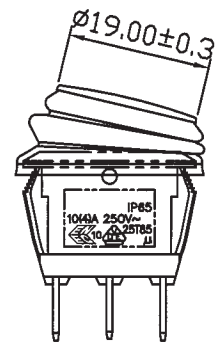
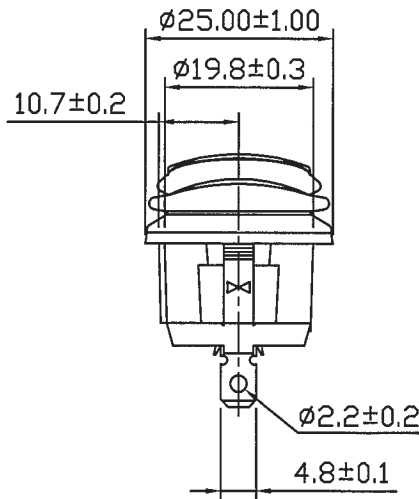
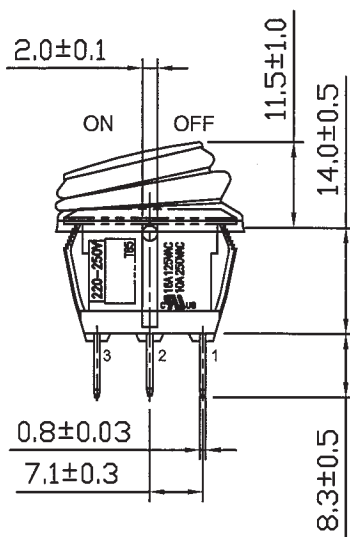
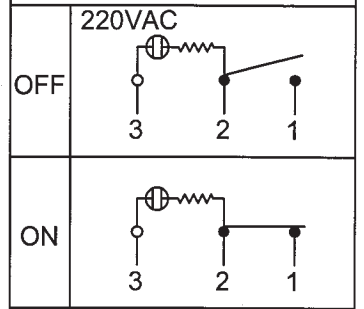


Rating	16A 125VAC, 10A 250VAC 	Mounting Hole
	10(4)A 250V~  	
Contact Resistance	50m ohm Max.	
Insulation Resistance	DC 500V 100M ohm Min.	
Dielectric Strength	AC 1500V 1 minute	
Operation Temperature	-25°C~85°C	
Switch Function	3P SPST ON-OFF (Neon dependent)	




***MATERIAL:**
 Frame: Nylon 66, Black
 Actuator: PC, Red clear
 Waterproof rubber: Silicone
 Terminals: Silver plated, Copper alloy
 Hot Stamping: None
 Waterproof: IP65

Thickness:0.7~2.5
Circuit Diagram



C8R13\R13-112B8-02(1823705)_1

09/17/14		曹盈芳	本體刻字更新, 重新出圖				△
Date	Name	Description				NO	
Drawn	Checked	Approved	SCI BOM NO.	1823705	Model Name	ROCKER SWITCH	
曹盈芳			Customer No.		Model No.	R13-112B8-02	Rev.
09/17/14		9/17/14	Unit	mm	Shin Chin Industrial Co., Ltd.		1