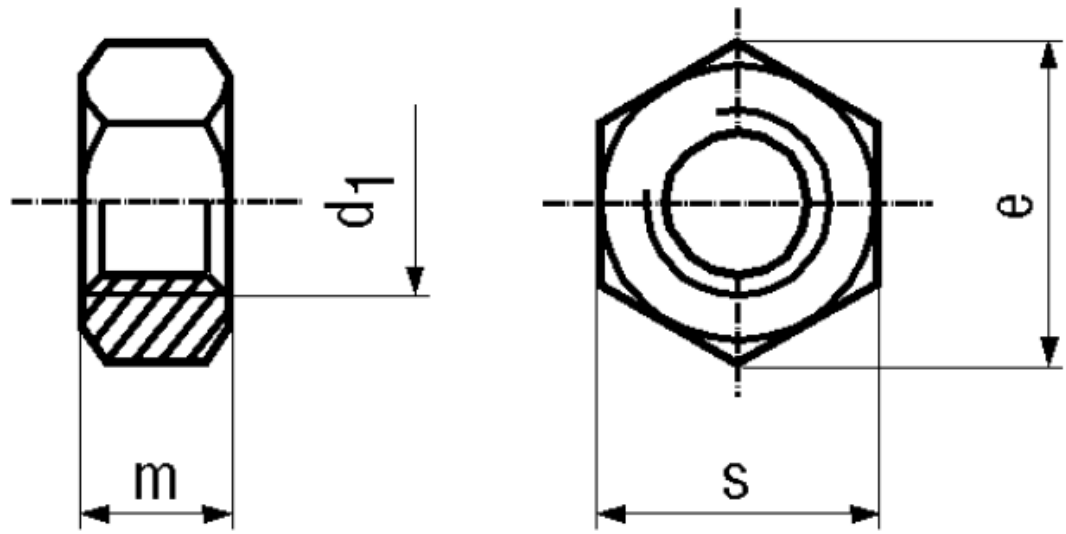


BN 628 - DIN 934 - ~ISO 4032

Hexagon nuts ~0,8d

DIN 934
~ISO 4032
~UNI 5588



Material	Stainless steel	Quality	A2
----------	------------------------	---------	-----------

Article No. - 1241443

d_1	M3
e min.	6,01
s	5,5
m max.	2,4

DIN 934: Standard withdrawn

Hexagon nuts type 1 ISO 4032: BN 5713 / BN 2586