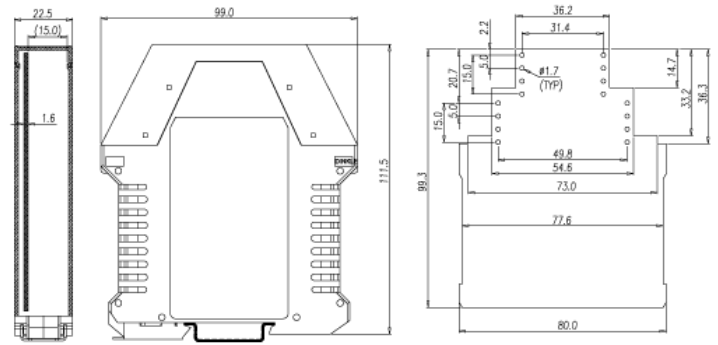


DMEN-S4PGG

Electronics Enclosure



Specification

Color ●	DMEN-S4PKK
Color ●	DMEN-S4PMM
Top cover	DMEN-HS4TG0
Back Cover	DMEN-HS4U0G
Socket (left)	--
Socket (right)	--
Plug (left)	5ES-4PL
Plug (right)	5ES-4PR
Cover*	5ES-4PC
Grounding terminal	0073B01500
Order number for housing with grounding terminal	DMEN-S4PGG-PE

*The cover is for covering up the hole in case when terminal block is not used in the housing