

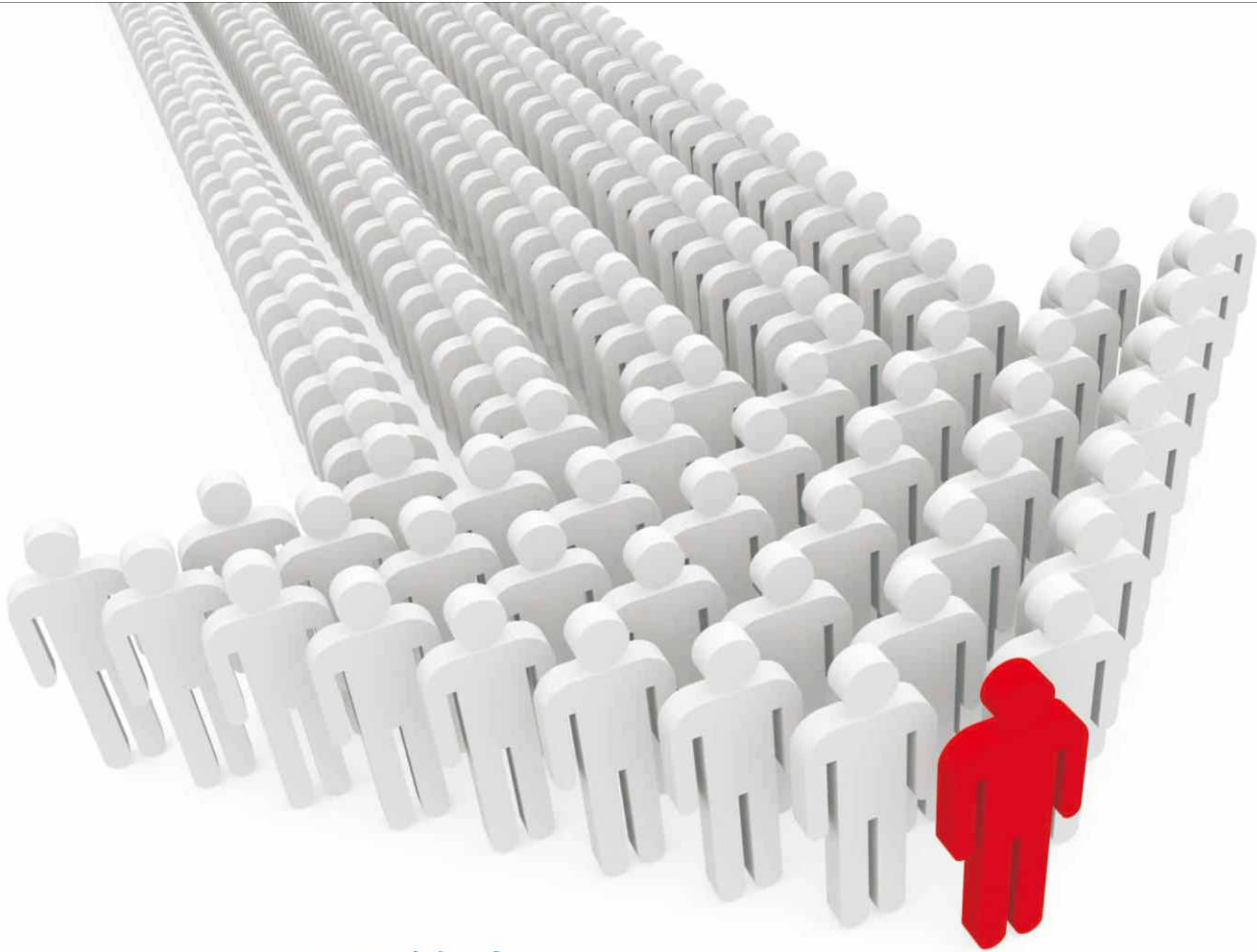
YUMO

联轴器
Coupling

产品选型手册 Products Catalogue



CHINA YUMO ELECTRIC CO., LIMITED
YUEQING YING'S IMPORT & EXPORT CO., LTD



>>> 公司简介

Company introduction

CHINA YUMO ELECTRIC CO.,LIMITED is a R & D, production, sales of light, machine, electricity integrated high-tech enterprises, has many years of professional experience in manufacturing research and encoder. The company mainly manufacture optical incremental encoder and high bit absolute encoder, extension products are coupling, counter, high precision grating, the user has been all over the domestic and foreign markets, products widely used in CNC machine tools, a new elevator, servo motor, textile, petroleum, mine, metallurgy and machinery automation control field.

All employees in the company of "honesty, to the quality of survival, innovation and development" business purposes, through unremitting efforts and hard work has now formed a complete design and development capability, advanced production technology, processing equipment and complete testing procedures, strict, scientific management philosophy. We will be with the photoelectric products of high quality, with the perfect after sale service to return the majority of users.

"build professional service model, professional service star" for the service concept, with "first-class enterprise, the international famous brand" for enterprise development goals, let you "once adopted, the entire process without"

用途特点 Use and characteristics



★ 经济型，一体式压铸良好的一致性。

★ Economic type, integrated type die casting good consistency.

★ 工程塑料的材质弹性高、耐疲劳强度大。

★ 通常用于需要弹性性能的零件。

★ Material elasticity of engineering plastics, high fatigue strength high.

★ Is typically used for the elastic properties of parts.

项目类型 Project type	d1 Bore	d2 Bore	D	L	L1	M	额定扭矩 Rated torque	最大扭矩 Maximum torque	偏心误差 The eccentric error	轴角偏角 Shaft angle	最高转速 The highest speed	运转 Work
LR2-S	4	4	13	22	3	M3	0.5N.m	1N.m	±0.2mm	≤2.5°	7000	同步运转 Synchronous operation
	6	6	17	20	3	M3	0.5N.m	1N.m	±0.2mm	≤2.5°	7000	
	6	6.35	17	20	3	M3	0.5N.m	1N.m	±0.2mm	≤2.5°	7000	
	6	8	17	20	3	M3	0.5N.m	1N.m	±0.2mm	≤2.5°	7000	
	8	8	17	20	3	M3	0.5N.m	1N.m	±0.2mm	≤2.5°	7000	

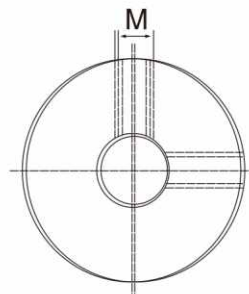
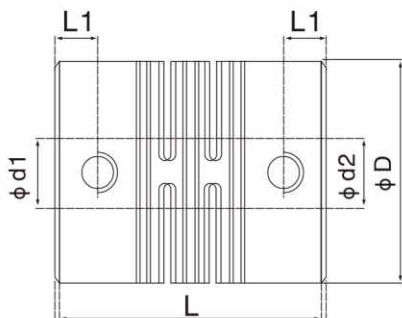
可根据客户标示加工定制
Customers can customize according to the label processing

订货范例 Ordering example

LR2-S-6X6-D17L20



机械尺寸 Mechanical Dimensions



用途特点 Use and characteristics



- ★ 高扭转刚性、高应答。 ★ High torsional rigidity, high response.
- ★ 零背隙。 ★ Zero backlash.
- ★ 一体狭缝切割型金属挠性联轴器。
- ★ 超高扭转刚性，低惯性和卓越的应答度。
- ★ 采用铝合金中强度最高的材质。
- ★ 狭缝切割构成的弹簧板，可容许偏心、偏角及轴向偏差。
- ★ 顺、逆时针回转特性完全相同。
- ★ 两端不同孔径的产品标准化。
- ★ One slit cutting metal flexible coupling.
- ★ Ultra high torsional rigidity, low inertia and excellent response degree.
- ★ The highest strength of aluminum alloy material.
- ★ Slit cut constitutes spring plate, allowable eccentricity, angle and axial deviation.
- ★ Clockwise and anticlockwise rotation the same characteristic.
- ★ Two different aperture products standardization.

项目类型 Project type	d1 Bore	d2 Bore	D	L	L1	M	额定扭矩 Rated torque	最大扭矩 Maximum torque	偏心误差 The eccentric error	轴角偏角 Shaft angle	最高转速 The highest speed	运转 Work
LR	4-18	4-18	15	20	2.5	M2.5-3	1N.m	2N.m	±0.2mm	≤0.2°	1900	同步运转 Synchronous operation
	4-10	4-10	18	25	2.5	M2.5-4	1N.m	2N.m	±0.2mm	≤0.2°	1900	
	4-15	4-15	25	30	2.5	M3-4	1.5N.m	3N.m	±0.2mm	≤0.2°	1900	
	4-18	4-18	30	35	2.5	M4-6	1.5N.m	3N.m	±0.2mm	≤0.2°	1900	
	5-20	5-20	35	40	2.5	M4-6	2N.m	4N.m	±0.2mm	≤0.2°	1900	

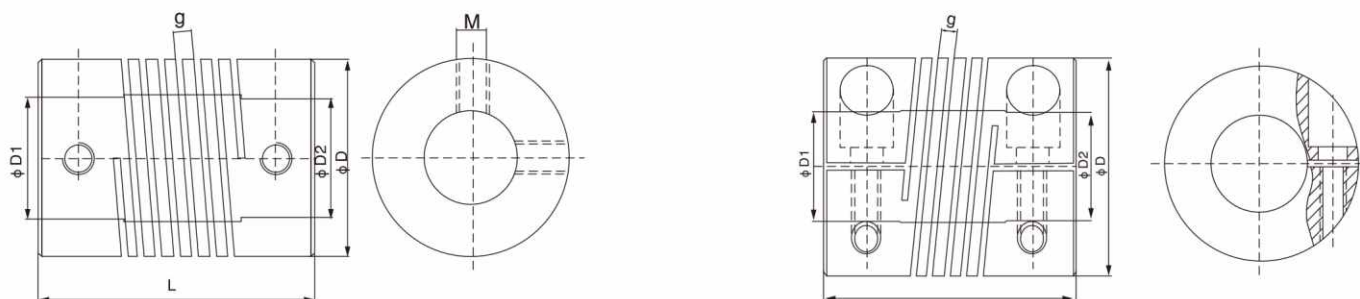
可根据客户标示加工定制
Customers can customize according to the label processing

订货范例 Ordering example

LR □ - 15×15 - D30L35



机械尺寸 Mechanical Dimensions



用途特点 Use and characteristics



- ★ 零背隙。
- ★ Zero backlash.
- ★ 铝合金材质、狭缝切割参数设计变更，性能大幅提升。
- ★ 一体狭缝切割型金属挠性联轴器
- ★ 狭缝切割构成的弹簧板，可容许偏心、偏角及轴向偏差。
- ★ 高扭矩刚性和灵感度。
- ★ 顺、逆时针回转特性完全相同。
- ★ 有铝合金和部不锈钢两种材质。
- ★ 外径尺寸范围 $\phi 8 \sim \phi 63$ 。选用范围广。
- ★ 两端不同孔径的产品标准化。
- ★ 也能提供SUS304材质、一体成型特殊联轴器，经特殊洗净能符合特殊环境的需求，请与我们联系。
- ★ aluminum alloy material, slit cutting parameter design changes, greatly enhanced performance.
- ★ one slit cutting metal flexible coupling
- slit cut spring plate, allowable eccentricity, angle and axial deviation.
- ★ high torque rigid degree and inspiration.
- ★ clockwise and anticlockwise rotating the same characteristic.
- ★ aluminum alloy and stainless steel two material department.
- ★ diameter size range selection of a wide range of 8~63.
- ★ It ends with different aperture product standardization.
- ★ It can also provide the SUS304 material, forming one special coupling, with a special wash can meet the special needs of the environment, please contact us.

项目类型 Project type	d1 Bore	d2 Bore	D	L	L1	M	额定扭矩 Rated torque	最大扭矩 Maximum torque	偏心误差 The eccentric error	轴角偏角 Shaft angle angle	最高转速 The highest speed	运转 Work
LT	4-6	4-6	15	20	4	M3-4	1.5N.m	3N.m	$\pm 0.2\text{mm}$	$\leq 1.5^\circ$	15000	同步运转 Synchronous operation
	4-10	4-10	20	25	5	M3-4	1.5N.m	3N.m	$\pm 0.2\text{mm}$	$\leq 1.5^\circ$	15000	
	5-14	5-14	25	30	5	M3-4	1.5N.m	3N.m	$\pm 0.2\text{mm}$	$\leq 1.5^\circ$	15000	
	5-16	5-16	30	35	6	M3-4	2N.m	60N.m	$\pm 0.2\text{mm}$	$\leq 1.5^\circ$	15000	
	5-25	5-25	35	40	7	M4-5	2N.m	6N.m	$\pm 0.2\text{mm}$	$\leq 1.5^\circ$	15000	

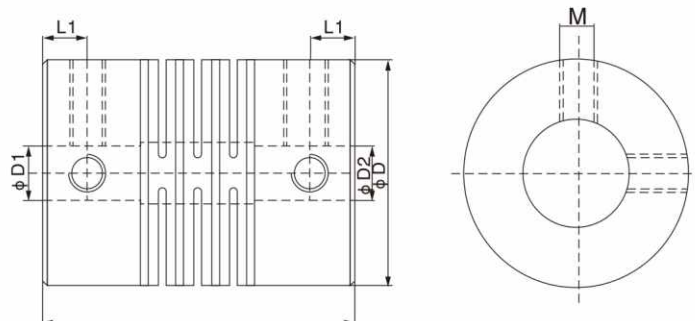
订货范例 Ordering example

可根据客户标示加工定制
Customers can customize according to the label processing

LT □ - 15 × 15 - D30L35

- (联轴器总长) L
Coupling assembly
- (联轴器外径) D
Coupling diameter
- (用户端孔径) d2
The user terminal aperture
- (用户端孔径) d1
The user terminal aperture
- H键槽式 Built in type
- B抱紧式 Hold type
- D顶丝式 Top thread type

机械尺寸 Mechanical Dimensions



用途特点 Use and characteristics



- ★ 高扭矩。 ★ High torque.
- ★ 吸收振动。 ★ The absorption of vibration.

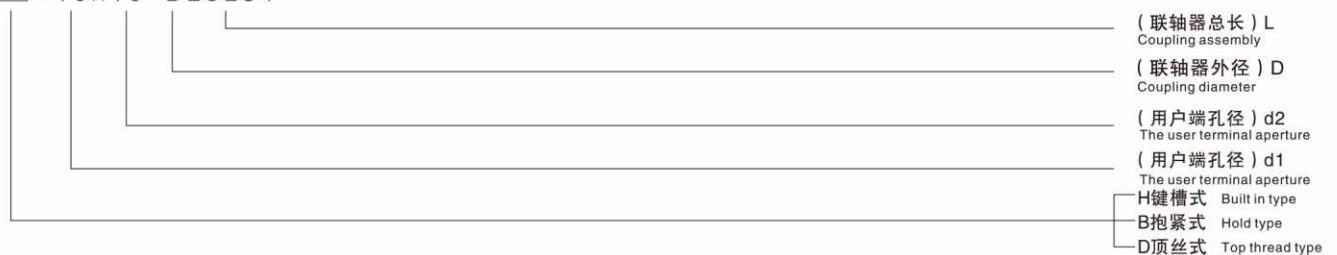
- ★ 系在两轴套间嵌入一个聚氨酯弹性间隔体的压缩式联轴器。
- ★ 低扭矩时无背隙。
- ★ 优异的挠性效果，可吸收振动、偏心及偏角。
- ★ 提供三种不同硬度间隔体，请依照用途搭配使用。
- ★ 具有电气绝缘性。
- ★ 顺、逆时针回转特性完全相同。
- ★ 使用温度：-20℃~60℃。
- ★ 两端不同孔径的产品标准化。
- ★ line in two suites to embed a polyurethane elastic spacer compression coupling.
- ★ low torque without backlash.
- ★ flexible effect is outstanding, can absorb the vibration, eccentricity and deflection angle.
- ★ It provides three different hardness spacer, please according to use with the use of.
- ★ It has electrical insulation.
- ★ clockwise and anticlockwise rotating the same characteristic.
- ★ By using temperature: -20 degrees -60 degrees centigrade.
- ★ It ends with different aperture product standardization.

项目类型 Project type	d1 Bore	d2 Bore	D	L	L1	M	额定扭矩 Rated torque	最大扭矩 Maximum torque	偏心误差 The eccentric error	轴角偏角 Shaft angle	最高转速 The highest speed	运转 Work
LF	2-8		14	22	7	M2.5	1.1N.m	2.2N.m	+0.60mm 0	1.0°C	19000	同步运转 Synchronous operation
	4-10		20	30	10	M3	2.8N.m	5.6N.m	+0.60mm 0	1.0°C	17000	
	4-12		25	34	11	M4	6.0N.m	12.0N.m	+0.60mm 0	1.0°C	16000	
	8-16		30	40	11	M4	6.5N.m	13.0N.m	+0.60mm 0	1.0°C	12000	
	14-24		40	55	19.5	M6	32N.m	64N.m	+0.80mm 0	1.0°C	10000	
	14-24		40	66	25	M6	32N.m	64N.m	+0.80mm 0	1.0°C	10000	
	14-28		55	78	30	M6	46N.m	92N.m	+0.80mm 0	1.0°C	8000	
	19-38		65	90	35	M8	109N.m	218N.m	+0.80mm 0	1.0°C	6000	
	24-45		80	114	45	M8	135N.m	270N.m	+1.00mm 0	1.0°C	4600	
	30-55		95	126	50	M10	260N.m	520N.m	+1.00mm 0	1.0°C	3800	
35-60		135	135	56	M12	430N.m	860N.m	+1.00mm 0	1.0°C	3400		

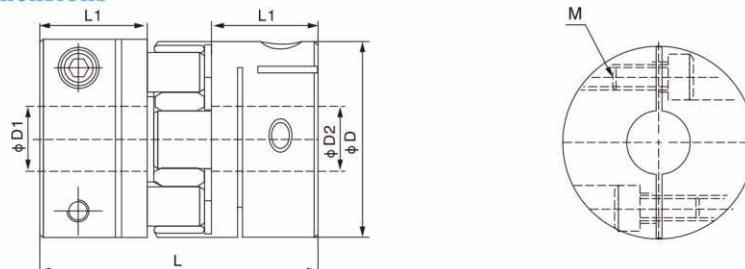
订货范例 Ordering example

LF □ - 10 × 10 - D25L34

可根据客户标示加工定制
Customers can customize according to the label processing



机械尺寸 Mechanical Dimensions



用途特点 Use and characteristics



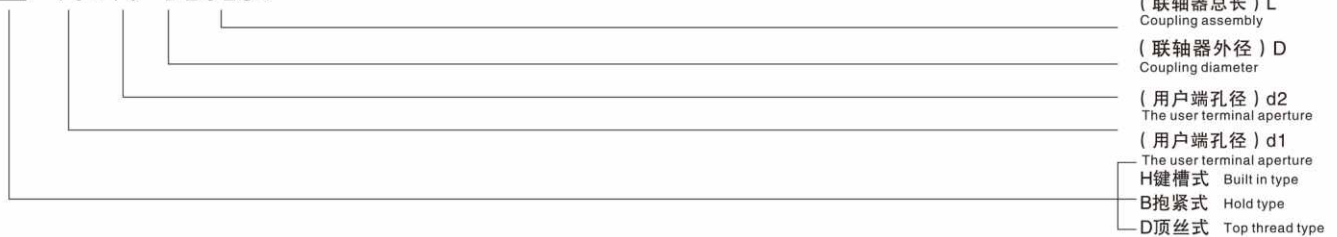
- ★ 联轴器中间用十字滑块联接
- ★ 容许大的径向和角向偏差
- ★ 零回转间隙
- ★ 高扭矩刚性和灵敏度
- ★ 机构简单、抗油腐蚀和电气绝缘
- ★ 夹紧螺丝固定
- ★ By coupling a middle connecting with a cross slide
- ★ allow large radial and angular deviation
- ★ Zero backlash.
- ★ high torque rigidity and sensitivity
- ★ simple mechanism, anti corrosion and electrical insulating oil
- ★ the clamping screws

项目类型 Project type	d1 Bore	d2 Bore	D	L	L1	M	额定扭矩 Rated torque	最大扭矩 Maximum torque	偏心误差 The eccentric error	轴角偏角 Shaft angle angle	最高转速 The highest speed	运转 Work
LZ	4-6	4-6	16	30	13	M2.5	0.7	1.4	+0.10mm 0	3.0	9000	同步运转 Synchronous operation
	4-8	4-8	20	30	14	M2.5	1.6	3.2	+0.10mm 0	3.0	7400	
	4-10	4-10	25	35	17	M3	3.0	6.0	+0.10mm 0	3.0	5800	
	4-14	4-14	32	45	19	M4	5.5	11.0	+0.10mm 0	3.0	4700	
	4-16	4-16	40	50	23	M5	9.0	18.0	+0.10mm 0	3.0	3600	
	4-20	4-20	50	58	27	M6	19.0	38.0	+0.10mm 0	3.0	3000	
	4-25	4-25	63	71	33	M8	33.0	66.0	+0.10mm 0	3.0	2400	

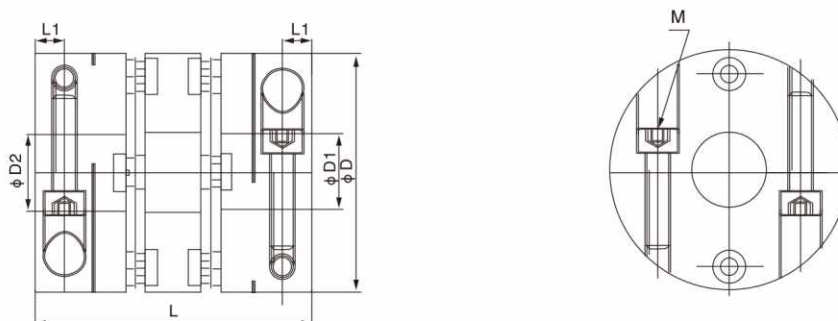
可根据客户标示加工定制
Customers can customize according to the label processing

订货范例 Ordering example

LZ □ - 10×10 - D25L34



机械尺寸 Mechanical Dimensions



用途特点 Use and characteristics



- ★ 高扭矩、高扭转刚性、高应答。
 - ★ 零背隙。
 - ★ 簧片型挠性联轴器。
 - ★ 长度短、体积轻巧。
 - ★ 单组不锈钢弹片可容许偏角和轴向偏角；但不容许偏心。
 - ★ 顺、逆时针回转特性完全相同。
 - ★ 两端不同孔径的产品标准化。
 - ★ 轴套材料为硬质铝合金。
 - ★ 中间体材料不锈钢片。
- ★ High torque, high torsional rigidity, high response.
 - ★ Zero backlash.
 - ★ spring type flexible coupling.
 - ★ Short length, light volume.
 - ★ a single set of stainless steel shrapnel allowable deflection angle and the axial angle;but not allowable eccentricity.
 - ★ clockwise and anticlockwise rotating the same characteristic.
 - ★ It ends with different aperture product standardization.
 - ★ bushing materials for hard aluminum alloy.
 - ★ intermediate material of stainless steel sheet.

项目类型 Project type	d1 Bore	d2 Bore	D	L	L1	M	额定扭矩 Rated torque	最大扭矩 Maximum torque	偏心误差 The eccentric error	轴角偏角 Shaft angle	最高转速 The highest speed	运转 Work
LD	6-10		34	27	3	M3	2.8N.m	5.6N.m	±0.15mm	1°	6000	同步运转 Synchronous operation
	10-14		44	34	3	M4	8.7N.m	17.4N.m	±0.15mm	1°	6000	
	14-20		56	45	4	M5	25N.m	50N.m	±0.15mm	1°	6000	
	15-25		68	54	5	M6	55N.m	110N.m	±0.15mm	1°	6000	
	20-30		82	68	6	M8	80N.m	160N.m	±0.15mm	1°	6000	

可根据客户标示加工定制

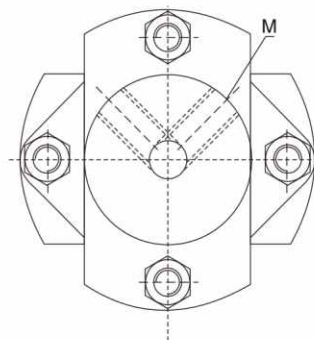
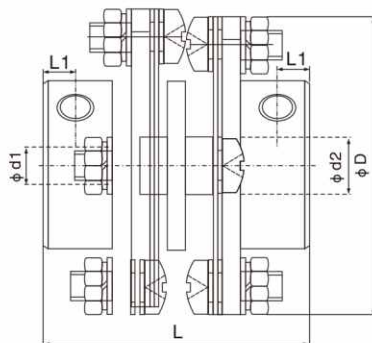
Customers can customize according to the label processing

订货范例 Ordering example

LD □ - 8×8 - D34 L27



机械尺寸 Mechanical Dimensions



用途特点 Use and characteristics



- ★ 高扭转刚性、高应答。 ★ High torsional rigidity, high response.
- ★ 零背隙。 ★ Zero backlash.
- ★ 簧片型挠性联轴器。 ★ spring type flexible coupling.
- ★ 长度短、体积轻巧。 ★ Short length, light volume.
- ★ 双组不锈钢弹片可容许偏心、偏角及轴向偏差。 ★ double group of stainless steel shrapnel admissible eccentricity, axial deviation angle and.
- ★ 顺时针回转特性完全相同。 ★ clockwise and anticlockwise rotation the same characteristic.
- ★ 两端不同孔径的产品标准化。 ★ It ends with different aperture product standardization.

项目类型 Project type	d1 Bore	d2 Bore	D	L	L1	M	额定扭矩 Rated torque	最大扭矩 Maximum torque	偏心误差 The eccentric error	轴角偏角 Shaft angle angle	最高转速 The highest speed	运转 Work
LD2	4-12	4-12	26	35	3	M2.5	8N.M	15N.M	±0.2mm	≤2.5°	12000	同步运转 Synchronous operation
	5-12	5-12	34	45	5	M3-4	10N.M	18N.M	±0.2mm	≤2.5°	12000	
	6-20	6-20	40	50	5.5	M3-4	12N.M	20N.M	±0.2mm	≤2.5°	12000	
	6-20	6-20	45	50	5.5	M3-4	14N.M	22N.M	±0.2mm	≤2.5°	12000	
	6-22	6-22	56	63	6.5	M4-6	15N.M	25N.M	±0.2mm	≤2.5°	12000	
	10-25	10-25	68	74	7.5	M4-6	15N.M	30N.M	±0.2mm	≤2.5°	12000	
	12-35	12-35	84	98	10.5	M4-8	30N.M	50N.M	±0.2mm	≤2.5°	12000	

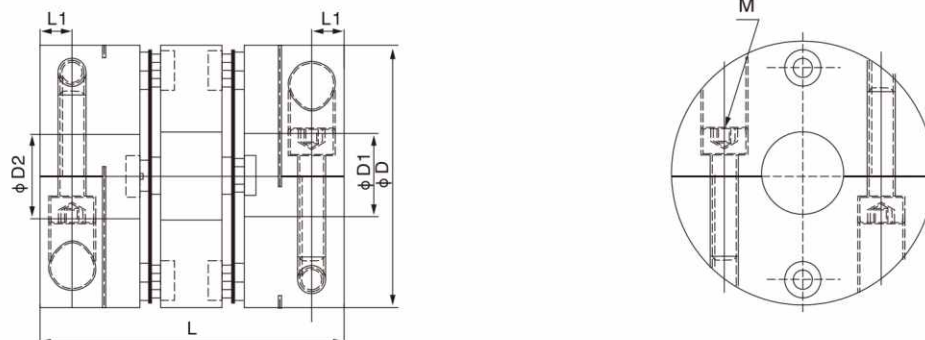
订货范例 Ordering example

LD2 □ - 15 × 15 - D 45 L 50

可根据客户标示加工定制
Customers can customize according to the label processing

- (联轴器总长) L
Coupling assembly
- (联轴器外径) D
Coupling diameter
- (用户端孔径) d2
The user terminal aperture
- (用户端孔径) d1
The user terminal aperture
- H键槽式 Built in type
- B抱紧式 Hold type
- D顶丝式 Top thread type

机械尺寸 Mechanical Dimensions



用途特点 Use and characteristics



- ★ 高扭矩、高扭转刚性、高应答。
- ★ 零背隙。
- ★ High torque, high torsional rigidity, high response.
- ★ Zero backlash.

- ★ 偏差存在的情况下也可保持等速运动。
- ★ 柔软型、不锈钢弹簧可容许偏心、偏角度及轴偏向误差，可调整。
- ★ 两端不同孔径的产品标准化。
- ★ It can also keep the isokinetic exercise conditions the presence of deviation.
- ★ soft type, stainless steel spring admissible eccentric, deflection angle and axis deviation width error, can be adjusted.
- ★ It ends with different aperture product standardization.

项目类型 Project type	d1 Bore	d2 Bore	D	L	L1	M	额定扭矩 Rated torque	最大扭矩 Maximum torque	偏心误差 The eccentric error	轴角偏角 Shaft angle	最高转速 The highest speed	运转 Work
LP	4-8		16	25	8.5	M3	0.8N.m	1.6N.m	± 1.0mm	1.5°	20000	同步运转 Synchronous operation
	4-8		16	33	8.5	M3	0.8N.m	1.6N.m	± 1.0mm	1.5°	20000	
	6-12		25	38	10.5	M4	2.0N.m	4.0N.m	± 1.3mm	2.0°	13000	
	6-12		25	50	10.5	M4	2.0N.m	4.0N.m	± 1.3mm	2.0°	13000	

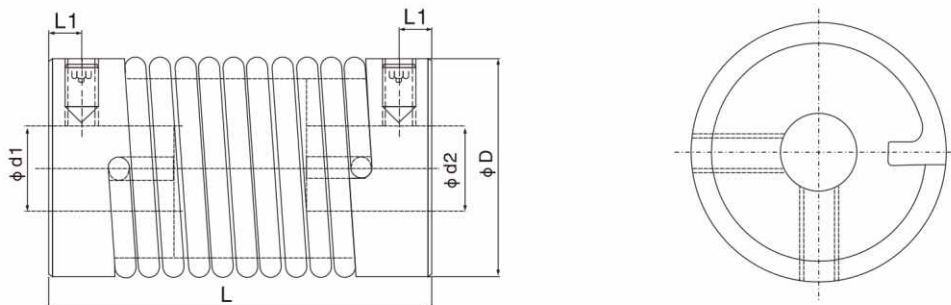
可根据客户标示加工定制
Customers can customize according to the label processing

订货范例 Ordering example

LP □ - 12 × 12 - D2 6 L 50



机械尺寸 Mechanical Dimensions



用途特点 Use and characteristics



- ★ 高扭矩、高扭转刚性、高应答。 ★ High torque, high torsional rigidity, high response.
- ★ 零背隙。 ★ Zero backlash.
- ★ 波纹管型挠性联轴器，适用于大扭矩传导场合。
- ★ 挠性波纹管型结构可容许偏心、偏角及轴向偏差。
- ★ 偏差存在的情况下可保持等速运动。
- ★ 顺、逆时针回转特性完全相同。
- ★ 两端不同孔径的产品标准化。
- ★ 也有适用于伺服马达的锥形轴孔。
- ★ bellows type flexible coupling, suitable for large torque transmission occasions.
- ★ flexible bellows type structure can allow the eccentricity, axial deviation angle and.
- ★ deviation existing situation can keep constant velocity motion.
- ★ clockwise and anticlockwise rotating the same characteristic.
- ★ It ends with different aperture product standardization.
- ★ It also has a conical shaft hole is suitable for servo motor.

项目类型 Project type	d1 Bore	d2 Bore	D	L	L1	M	额定扭矩 Rated torque	最大扭矩 Maximum torque	偏心误差 The eccentric error	轴角偏角 Shaft angle angle	最高转速 The highest speed	运转 Work
LB	4-8	16	27	8.5	M3	1N.m	2N.m	+0.3mm -1.0mm	1.5℃	20000	同步运转 Synchronous operation	
	6-12	20	29	8.5	M3	2N.m	4N.m	+0.3mm -1.0mm	1.5℃	15000		
	6-12	25	34	10.5	M4	2.5N.m	5N.m	+0.5mm -1.3mm	2.0℃	13000		
	8-14	32	38	11.5	M4	3N.m	6N.m	+0.5mm -1.3mm	2.0℃	10000		
	8-14	32	49	11.5	M4	3N.m	6N.m	+0.5mm -1.3mm	2.0℃	10000		
	10-16	40	51	12.5	M5	12N.m	20N.m	+0.7mm -1.5mm	2.0℃	8000		
	12-19	55	57	13.5	M6	30N.m	50N.m	+0.7mm -1.5mm	2.0℃	6000		

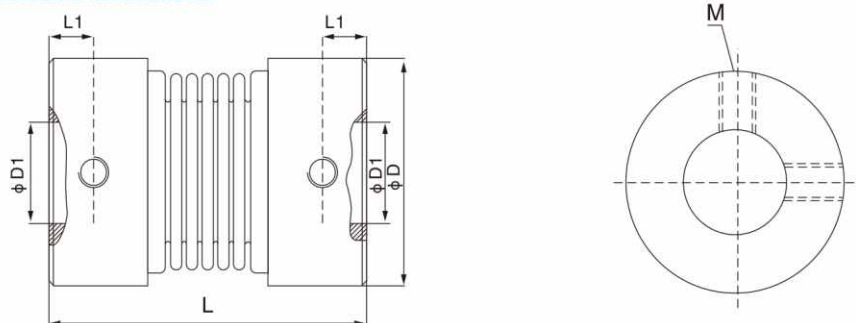
订货范例 Ordering example

LB □ - 12 × 12 - D 32 L 38

可根据客户标示加工定制
Customers can customize according to the label processing



机械尺寸 Mechanical Dimensions



用途特点 Use and characteristics



- ★ 加长型。
- ★ The lengthened.
- ★ 加长型刚性联轴器。
- ★ 可作为轴心长度不足时的衔接套筒适用。
- ★ 分为铝合金和不锈钢两种材质。
- ★ 提供挟持型和办分离型两种形式。
- ★ 两端不同孔径的产品标准化。
- ★ extended type rigid coupling.
- ★ Capable as the connection sleeve axial length is insufficient for.
- ★ It consists of aluminum alloy and stainless steel two material.
- ★ It provides the holding type and do separation type two kind of forms.
- ★ It ends with different aperture product standardization.

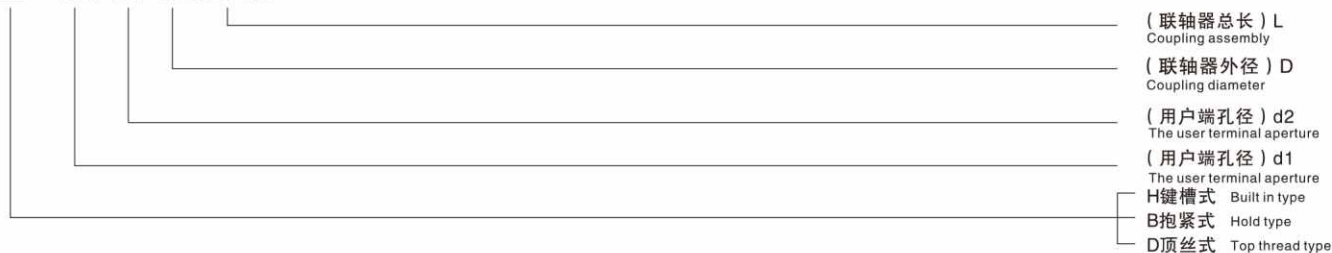
项目类型 Project type	d1 Bore	d2 Bore	D	L	L1	M	额定扭矩 Rated torque	最大扭矩 Maximum torque	偏心误差 The eccentric error	轴角偏角 Shaft angle	最高转速 The highest speed	运转 Work
LL	4-6	4-6	16	24	6	M3	1.5N.m	3N.m	±0.1mm	≤1°	24000	同步运转 Synchronous operation
	5-12	5-12	20	30	7	M3	1.5N.m	3N.m	±0.1mm	≤1°	24000	
	5-12	5-12	25	36	9	M3	2N.m	4N.m	±0.1mm	≤1°	24000	
	6-16	6-16	32	42	10	M4	3N.m	6N.m	±0.1mm	≤1°	24000	

可根据客户标示加工定制

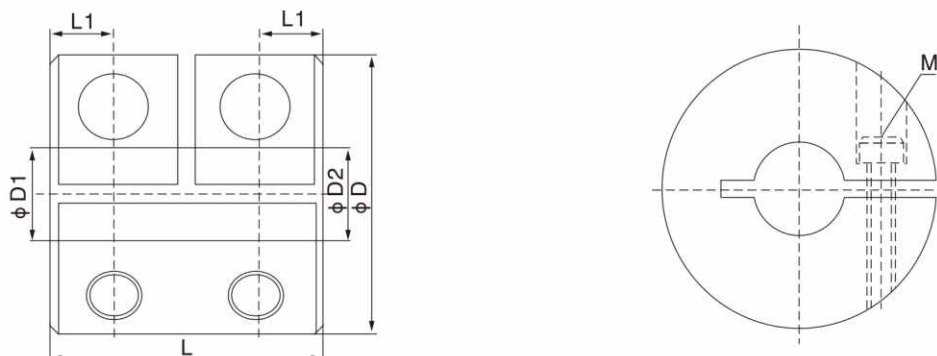
Customers can customize according to the label processing

订货范例 Ordering example

LL □ - 12×12 - D32L42



机械尺寸 Mechanical Dimensions



用途特点 Use and characteristics



- ★ 加长型。
- ★ The lengthened.
- ★ 加长型刚性联轴器。
- ★ 可作为轴心长度不足时的衔接套筒适用。
- ★ 分为铝合金和不锈钢两种材质。
- ★ 提供挟持型和办分离型两种形式。
- ★ 两端不同孔径的产品标准化。
- ★ extended type rigid coupling.
- ★ Capable as the connection sleeve axial length is insufficient for.
- ★ It consists of aluminum alloy and stainless steel two material.
- ★ It provides the holding type and do separation type two kind of forms.
- ★ It ends with different aperture product standardization.

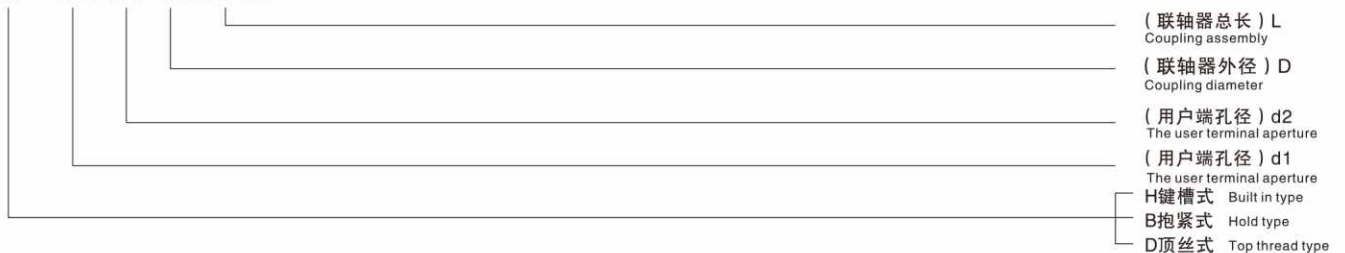
项目类型 Project type	d1 Bore	d2 Bore	D	L	L1	M	额定扭矩 Rated torque	最大扭矩 Maximum torque	偏心误差 The eccentric error	轴角偏角 Shaft angle	最高转速 The highest speed	运转 Work
LL	4-6	4-6	16	24	6	M3	1.5N.m	3N.m	±0.1mm	≤1°	24000	同步运转 Synchronous operation
	5-12	5-12	20	30	7	M3	1.5N.m	3N.m	±0.1mm	≤1°	24000	
	5-12	5-12	25	36	9	M3	2N.m	4N.m	±0.1mm	≤1°	24000	
	6-16	6-16	32	42	10	M4	3N.m	6N.m	±0.1mm	≤1°	24000	

可根据客户标示加工定制

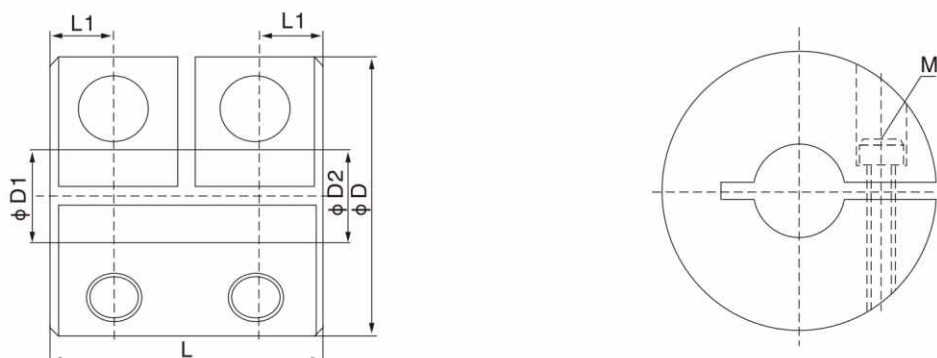
Customers can customize according to the label processing

订货范例 Ordering example

LL □ - 12×12 - D32L42



机械尺寸 Mechanical Dimensions



用途特点 Use and characteristics



- ★ 塑胶型。
- ★ 可适用于偏心轴连接，可大幅度调整同心度。
- ★ 可在使用范围内调整产品的高度。
- ★ plastic type.
- ★ It can be applied to connect the eccentric shaft, can greatly adjust concentricity.
- ★ It can adjust the height of the products in the scope of use.

项目类型 Project type	d1 Bore	d2 Bore	D	L	M	额定的扭矩 Rated torque	最大扭矩 Maximum torque	偏心误差 The eccentric error	运转 Work
A type B type	LS 4-8	4-8	15	30	M3	2	3	1MM	同步运转 Synchronous operation
A type	LS 6-10	6-10	20	40	M3	2	3	1MM	
B type	LS 6-10	6-10	30	40	M3	2	3	1MM	
B type	LS 6-14	6-14	40	50	M4	3	4	1MM	同步运转 Synchronous operation
A type	LS 6-14	6-14	40	60	M4	3	4	1MM	

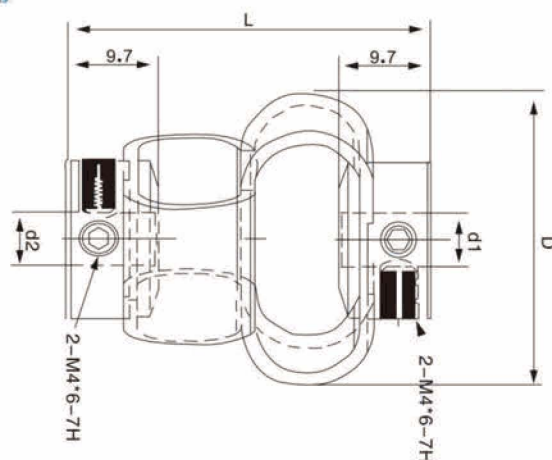
可根据客户标示加工定制
Customers can customize according to the label processing

订货范例 Ordering example

LS □ - 10 X 10 - 40 - 60

- (联轴器总长) L
Coupling assembly
- (联轴器外径) D
Coupling diameter
- (用户端孔径) d2
The user terminal aperture
- (用户端孔径) d1
The user terminal aperture
- H键槽式 Built in type
- B抱紧式 Hold type
- D顶丝式 Top thread type

机械尺寸 Mechanical Dimensions





YUMO

CHINA YUMO ELECTRIC CO., LIMITED

YUEQING YING'S IMPORT & EXPORT CO., LTD

Add: ZhaoYang Industry Zone, LiuShi Town, YueQing City, ZheJiang Province,
325604 China

