

Switch

Rocker Switch Series

KLS7-025 Small Rocker Switch Series

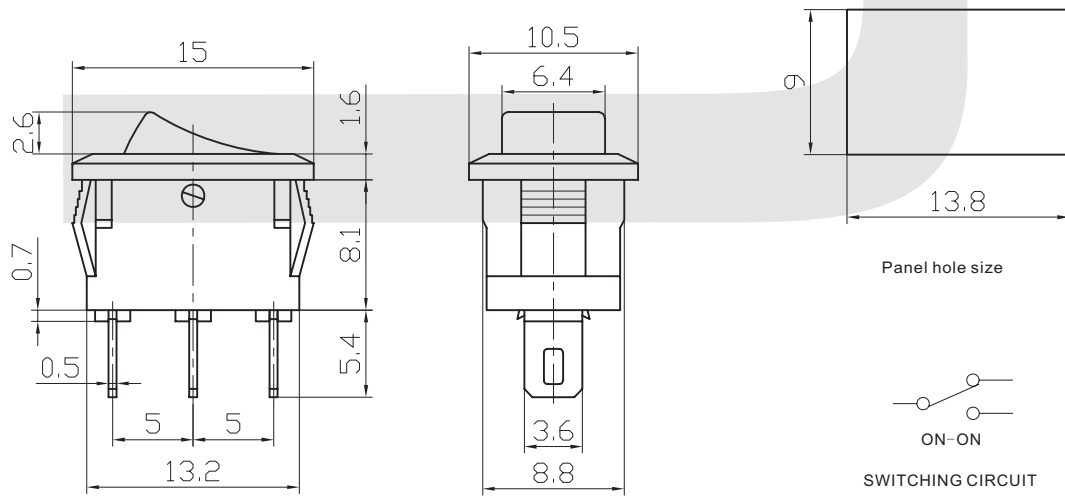
MATERIAL

1. Housing: Nylon 66
2. Rocker: PC & PA66
3. Contacts: Silver Alloy
4. Terminal: Brass Silver Plated
5. Lamp: Neon Lamp, Tungsten Lamp
6. Spring: SWP,SUS
7. Movable Arm: Brass Silver Plated



ELECTRICAL

1. Electrical Rating: 3A 125VAC
1A 250VAC
2. Mechanical life: Over 30000 Cycles
3. Electrical life: Over 10000 Cycles
4. Contact Resistance: $\leq 20m\Omega$
5. Insulation Resistance: 1000M Ω Min
6. High Voltage Resistance: $>1500V$ 1 min
7. Ambient Temperature: Terminal Side $-20^{\circ}C \sim +85^{\circ}C$;
Actuating Side $-20^{\circ}C \sim +55^{\circ}C$
8. Storage Temperature: $-30^{\circ}C \sim +80^{\circ}C$ Max
9. Atmospheric Humidity: Max 85%
10. Actuating force: 4~8N (depends on different switch function)
11. Flammability: UL94 V-2
12. Temperature rise at the terminal: Max $30^{\circ}C$ (UI1054)
13. Solder ability of terminal: Max $350^{\circ}C$ 3S



ORDER INFORMATION

KLS7-025- 1 01 1 1 B B

Series No.

| Poles | Function | Marking | Terminal | Actuator color | Base color |
|----------------|-------------------------|---------|-------------|--------------------------------|--------------------------------|
| 1: Single Pole | 01: ON-OFF 02: ON-ON | 0: | 1: 0. 5x3.6 | B: Black R: Red W: White | B: Black W: White R: Red |
| | | 1: | 2: 0. 5x2.5 | | |
| | | 2: | | | |
| | | 3: | | | |
| | | 4: | | | |
| | | 5: | 3: 0. 5x1.2 | | |
| | | 6: | | | |