

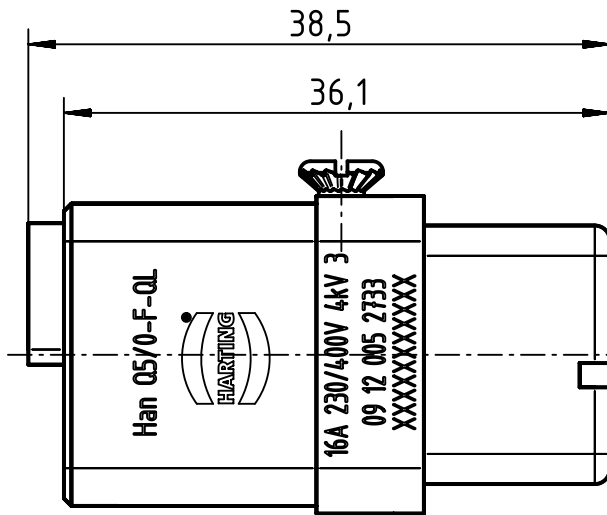
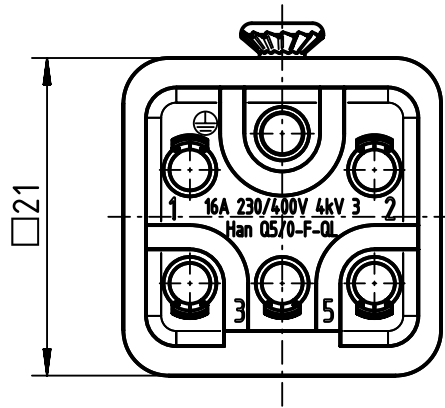
1 2 3 4 5 6

A

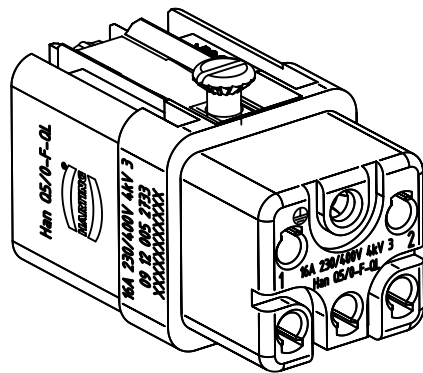
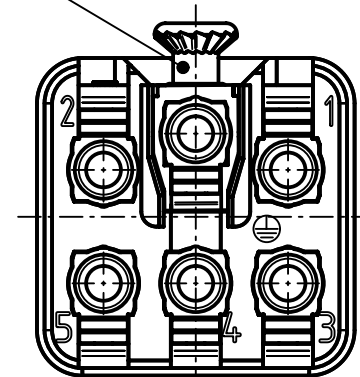
B

C

D



insert fixing screw M3x6
separately enclosed



Coating	A=	mm ²	V=	mm ³	m=	g	Mat.
	All Dimensions in mm Original Size DIN A4		Scale 2:1	Free size tol.			Ref. Sub. TB 09 12 005 2733 vom 26.02.2010
	All rights reserved Department EL PD - DE	Created by HOLLERT	Inspected by SCHNIEDER	Standardisation TIEMANNA	Date 2016-01-25	State Final Release	
HARTING Electric GmbH & Co. KG D-32339 Espelkamp		Title Han Q5/0-F-QL			Doc-Key / ECM-Nr. 100132566/UGD/006/C 500000099735		Rev. C
		Type TB	Number 09 12 005 2733			Page 1/1	