

TOGGLE SWITCH

Features

- Several actuator type options.
- Easy to identify by colorful actuator cover options.
- Push button available.
- UL approval.



Specifications

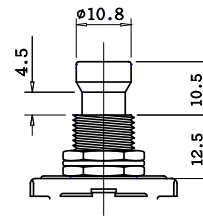
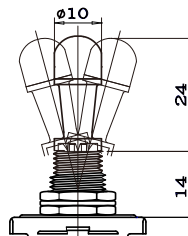
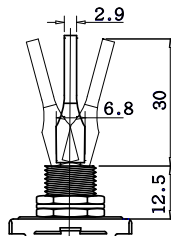
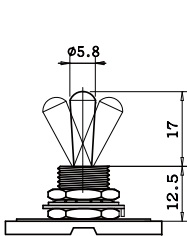
Item	Standard
Rating	10A 250VAC / 15A 250VAC 15A 250VAC / 20A 125VAC UL61058
Contact Resistance	25mΩ max.(initial)
Dielectric Reseistance	AC 1000V (50/60 Hz for 1 minute)
Insulation Resistance	100MΩ min (at 500 VDC)
Electrically Life	30,000 Cycle min
Mechanically Life	100,000 Cycle min

Product Selection

T-
1 2 3 4 5

1.ACTUATOR TYPES

<input type="checkbox"/> : Metal Actuator	GP: Metal Actuator W/ Plastic Cover	GS: Metal Actuator W/ Lock Function	GB: Button type
---	--	--	-----------------



2.CONTACT TYPES

11: 2P ON-OFF	SPST
12: 3P ON-ON	SPDT
13: 3P ON-OFF-ON	SPDT
21: 4P ON-OFF	DPST
22: 6P ON-ON	DPDT
23: 6P ON-OFF-ON	DPDT
31: 6P ON-OFF	3PST
32: 9P ON-ON	3PDT
33: 9P ON-OFF-ON	3PDT
41: 8P ON-OFF	4PST
42: 12P ON-ON	4PDT
43: 12P ON-OFF-ON	4PDT

3. TERMINAL TYPES

A: SOLDER
B: SCREW
C: #250 QUICK CONNECT

4. RATING TYPES

<input type="checkbox"/> : 10A 250VAC
S: 15A 250VAC

5. REST TYPES

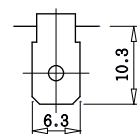
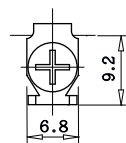
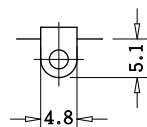
M1:(ON)-OFF
M2:(ON)-OFF-(ON)

Terminal Dimension

A:SOLDER TYPE

B: SCREW TYPE

C:#250 QUICK CONNECT TYPE



HIGHLY

E1

Design, specifications are subject to change without notice.

TOGGLE SWITCH

Operating Characteristics

Unit: mm

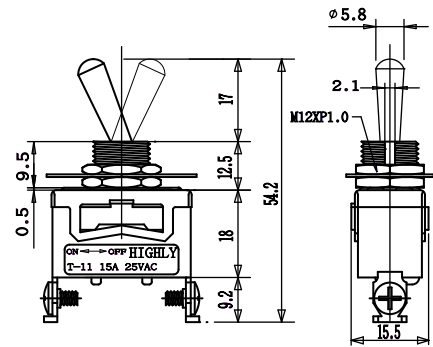
Item Operating Characteristics

Dimensions

T-11



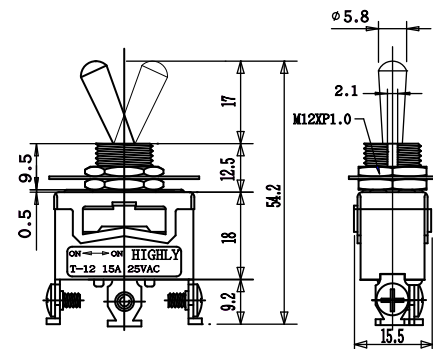
ITEM	FUNCTION	
T-11BS	ON-OFF	SPST 2P
TGP-11BS	ON-OFF	SPST 2P
TGS-11BS	ON-OFF	SPST 2P
TGB-11BS	ON-OFF	SPST 2P
T-11BS-M1	(ON)-OFF	SPST 2P
TGS-11BS-M1	(ON)-OFF	SPST 2P



T-12



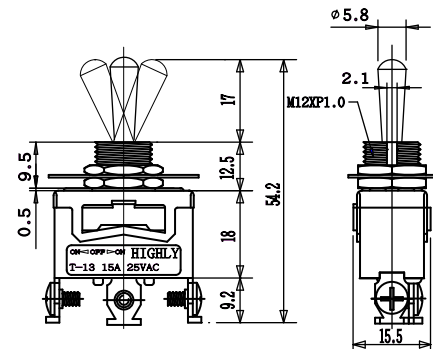
ITEM	FUNCTION	
T-12BS	ON-ON	SPDT 3P
TGP-12BS	ON-ON	SPDT 3P
TGS-12BS	ON-ON	SPDT 3P
TGB-12BS	ON-ON	SPDT 3P
T-12BS-M1	ON-(ON)	SPDT 3P
TGS-12BS-M1	ON-(ON)	SPDT 3P



T-13



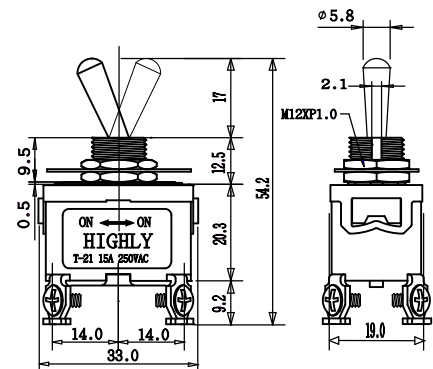
ITEM	FUNCTION	
T-13BS	ON-OFF-ON	SPDT 3P
TGP-13BS	ON-OFF-ON	SPDT 3P
TGS-13BS	ON-OFF-ON	SPDT 3P
T-13BS-M1	ON-OFF-(ON)	SPDT 3P
TGS-13BS-M1	ON-OFF-(ON)	SPDT 3P
T-13BS-M2	(ON)-OFF-(ON)	SPDT 3P
TGS-13BS-M2	(ON)-OFF-(ON)	SPDT 3P



T-21



ITEM	FUNCTION	
T-21BS	ON-OFF	DPST 4P
TGP-21BS	ON-OFF	DPST 4P
TGS-21BS	ON-OFF	DPST 4P
TGB-21BS	ON-OFF	DPST 4P
T-21BS-M1	(ON)-OFF	DPST 4P
TGS-21BS-M1	(ON)-OFF	DPST 4P



HIGHLY

E2

Design, specifications are subject to change without notice.

TOGGLE SWITCH

Operating Characteristics

Unit: mm

Item

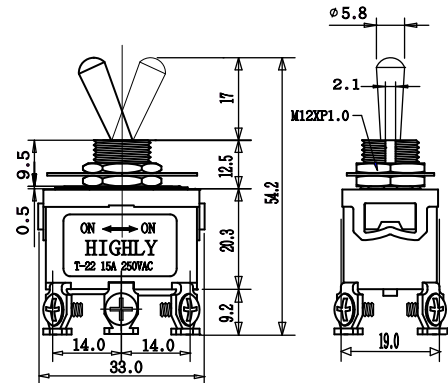
Operating Characteristics

Dimensions

T-22



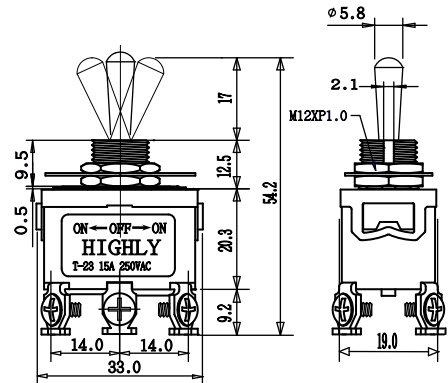
ITEM	FUNCTION	
T-22BS	ON-ON	DPDT 6P
TGP-22BS	ON-ON	DPDT 6P
TGS-22BS	ON-ON	DPDT 6P
TGB-22BS	ON-ON	DPDT 6P
T-22BS-M1	ON-(ON)	DPDT 6P
TGS-22BS-M1	ON-(ON)	DPDT 6P



T23



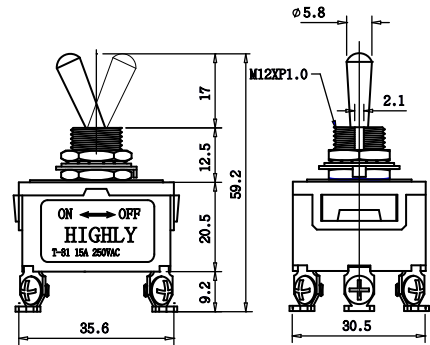
ITEM	FUNCTION	
T-23BS	ON-OFF-ON	DPDT 6P
TGP-23BS	ON-OFF-ON	DPDT 6P
TGS-23BS	ON-OFF-ON	DPDT 6P
T-23BS-M1	ON-OFF-(ON)	DPDT 6P
TGS-23BS-M1	ON-OFF-(ON)	DPDT 6P
T-23BS-M2	(ON)-OFF-(ON)	DPDT 6P
TGS-23BS-M2	(ON)-OFF-(ON)	DPDT 6P



T-31



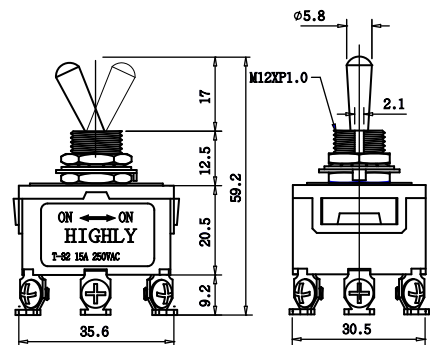
ITEM	FUNCTION	
T-31BS	ON-OFF	3PST 6P
TGP-31BS	ON-OFF	3PST 6P
TGS-31BS	ON-OFF	3PST 6P
T-31BS-M1	(ON)-OFF	3PST 6P
TGS-31BS-M1	(ON)-OFF	3PST 6P



T-32



ITEM	FUNCTION	
T-32BS	ON-ON	3PDT 9P
TGP-32BS	ON-ON	3PDT 9P
TGS-32BS	ON-ON	3PDT 9P
T-32BS-M1	ON-(ON)	3PDT 9P
TGS-32BS-M1	ON-(ON)	3PDT 9P



HIGHLY

E3

Design, specifications are subject to change without notice.

TOGGLE SWITCH

Operating Characteristics

Unit: mm

Item

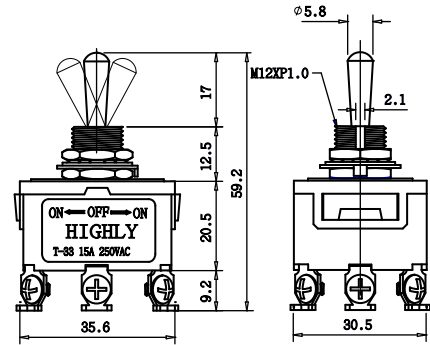
Operating Characteristics

Dimensions

T-33



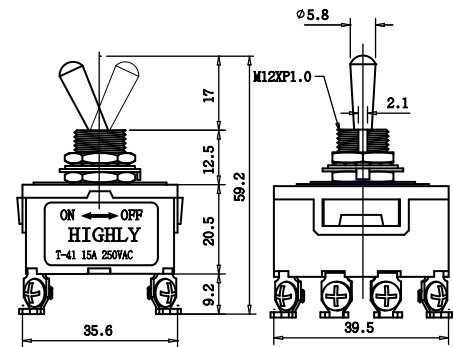
ITEM	FUNCTION	
T-33BS	ON-OFF-ON	3PDT 9P
TGP-33BS	ON-OFF-ON	3PDT 9P
TGS-33BS	ON-OFF-ON	3PDT 9P
TGB-33BS	ON-OFF-ON	3PDT 9P
T-33BS-M1	ON-OFF-(ON)	3PDT 9P
TGS-33BS-M1	ON-OFF-(ON)	3PDT 9P
T-33BS-M2	(ON)-OFF-(ON)	3PDT 9P
TGS-33BS-M2	(ON)-OFF-(ON)	3PDT 9P



T-41



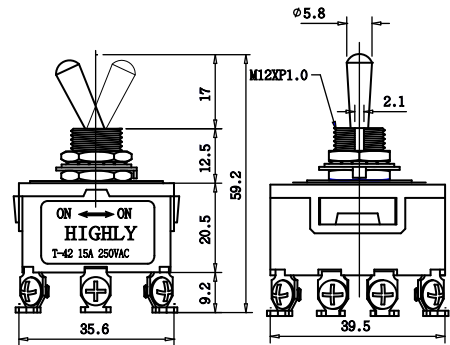
ITEM	FUNCTION	
T-41BS	ON-OFF	4PST 8P
TGP-41BS	ON-OFF	4PST 8P
TGS-41BS	ON-OFF	4PST 8P
T-41BS-M1	(ON)-OFF	4PST 8P
TGS-41BS-M1	(ON)-OFF	4PST 8P



T-42



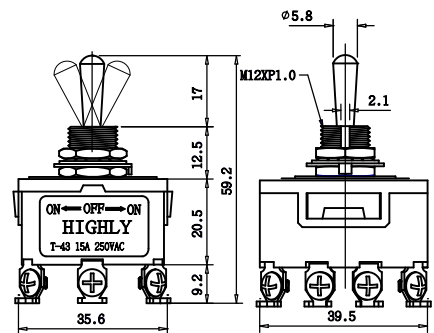
ITEM	FUNCTION	
T-42BS	ON-ON	4PDT 12P
TGP-42BS	ON-ON	4PDT 12P
TGS-42BS	ON-ON	4PDT 12P
T-42BS-M1	ON-(ON) 4PDT	12P
TGS-42BS-M1	ON-(ON) 4PDT	12P



T-43



ITEM	FUNCTION	
T-43BS	ON-OFF-ON	4PDT 12P
TGP-43BS	ON-OFF-ON	4PDT 12P
TGS-43BS	ON-OFF-ON	4PDT 12P
TGB-43BS	ON-OFF-ON	4PDT 12P
TGP-43BS-M1	ON-OFF-(ON)	4PDT 12P
TGS-43BS-M1	ON-OFF-(ON)	4PDT 12P
T-43BS-M2	(ON)-OFF-(ON)	4PDT 12P
TGS-43BS-M2	(ON)-OFF-(ON)	4PDT 12P



TOGGLE SWITCH

Accessories

Water-Proof Cover

TR- □ □

1 2

1. TYPES

1

11



2

21



2.COLOR TYPE

R RED

G GREEN

Y YELLOW

BL BLUE

BK BLACK

W WHITE

Easy Read Colorful Cover

TR-3□

1

1.COLOR

R RED

G GREEN

Y YELLOW

BL BLUE

BK BLACK

Trigger Protection Cover

TR-4























HIGHLY

E5

Design, specifications are subject to change without notice.





















TOGGLE SWITCH

Item No list

			
T-11BS	T-12BS	T-13BS	T-21BS
			
T-22BS	T-23BS	T-31BS	T-32BS
			
T-33BS	T-41BS	T-42BS	T-43BS
			
TGP-11CS	TGP-12CS	TGP-13CS	TGP-21CS
			
TGP-22CS	TGP-23CS	TGP-31CS	TGP-32CS

TOGGLE SWITCH

Item No list

			
TGP-33CS	TGP-41CS	TGP-42CS	TGP-43CS
			
TGS-11CS	TGS-12CS	TGS-13CS	TGS-21CS
			
TGS-22CS	TGS-23CS	TGS-31CS	TGS-32CS
			
TGS-33CS	TGS-41CS	TGS-42CS	TGS-43CS
			
TGB-11AS	TGB-12AS	TGB-21AS	TGB-22AS