

L-934GD GREEN

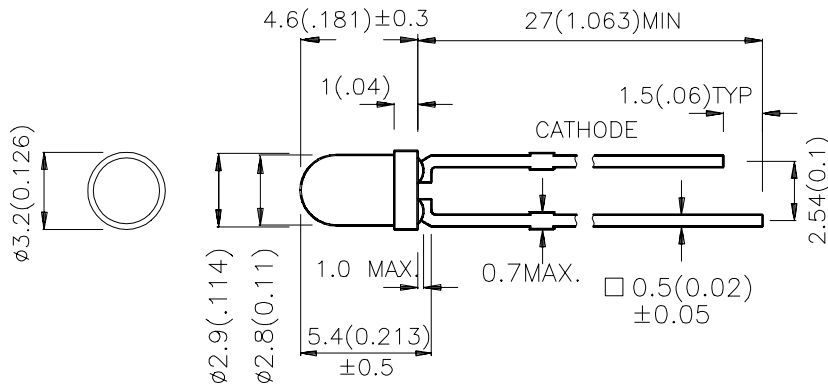
### Features

- OUTSTANDING MATERIAL EFFICIENCY.
- RELIABLE AND RUGGED.
- I.C. COMPATIBLE.

### Description

The Green source color devices are made with Gallium Phosphide Green Light Emitting Diode.

### Package Dimensions



#### Notes:

1. All dimensions are in millimeters (inches).
2. Tolerance is  $\pm 0.25(0.01)$ " unless otherwise noted.
3. Lead spacing is measured where the lead emerge package.
4. Specifications are subject to change without notice.

## Selection Guide

Part No.	Dice	Lens Type	Iv (mcd) @ 10 mA		Viewing Angle
			Min.	Typ.	201/2
L-934GD	GREEN (GaP)	GREEN DIFFUSED	8	20	60°

Note:

1.  $\theta_{1/2}$  is the angle from optical centerline where the luminous intensity is 1/2 the optical centerline value.

## Electrical / Optical Characteristics at $T_A=25^\circ\text{C}$

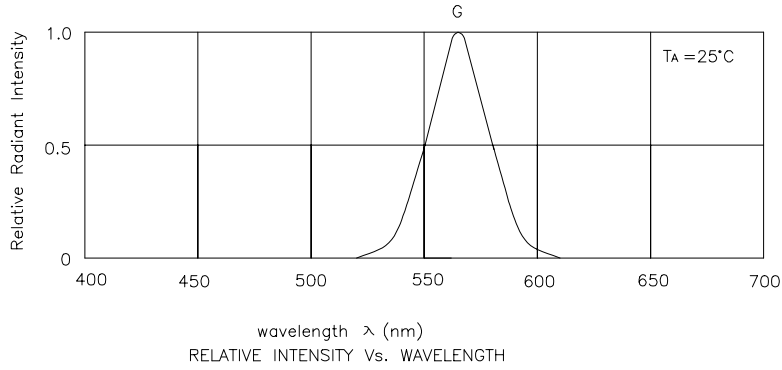
Symbol	Parameter	Device	Typ.	Max.	Units	Test Conditions
$\lambda_{\text{peak}}$	Peak Wavelength	Green	565		nm	$I_F=20\text{mA}$
$\lambda_D$	Dominate Wavelength	Green	568		nm	$I_F=20\text{mA}$
$\Delta\lambda_{1/2}$	Spectral Line Half-width	Green	30		nm	$I_F=20\text{mA}$
C	Capacitance	Green	15		pF	$V_F=0\text{V}; f=1\text{MHz}$
$V_F$	Forward Voltage	Green	2.2	2.5	V	$I_F=20\text{mA}$
$I_R$	Reverse Current	Green		10	$\mu\text{A}$	$V_R = 5\text{V}$

## Absolute Maximum Ratings at $T_A=25^\circ\text{C}$

Parameter	Green	Units
Power dissipation	105	mW
DC Forward Current	25	mA
Peak Forward Current [1]	140	mA
Reverse Voltage	5	V
Operating/Storage Temperature	-40°C To +85°C	
Lead Solder Temperature [2]	260°C For 5 Seconds	

Notes:

- 1/10 Duty Cycle, 0.1ms Pulse Width.
- 2mm below package base.



## Green L-934GD

