
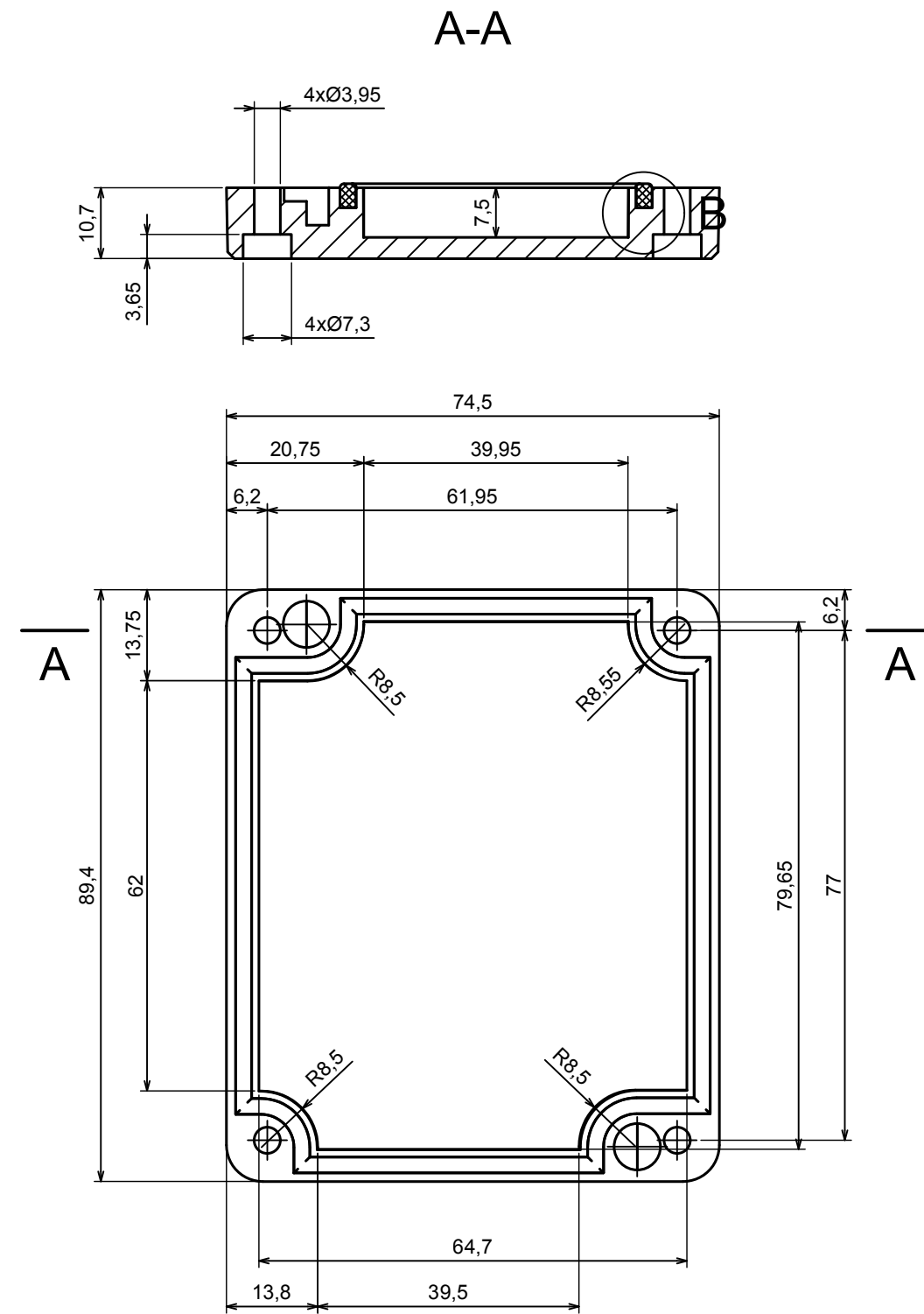
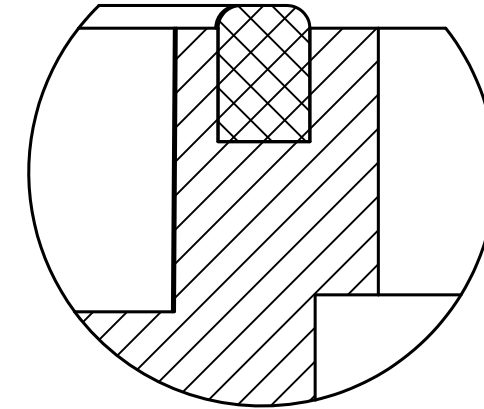


All rights reserved, Copyright Kradox 2016		
Product model	Enclosure Z54S - assembly	
Format: A3	Material: PS, ABS	
Scale 1:1	Tolerance: +/- 0.2	





**B (5:1)**



All rights reserved, Copyright Kradex 2016

Product model      Enclosure Z54S - cover

Format: A3      Material: PS, ABS

Scale 1:1      Tolerance: +/- 0.2

