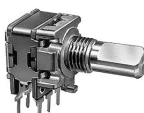
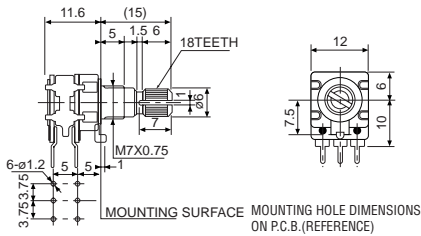

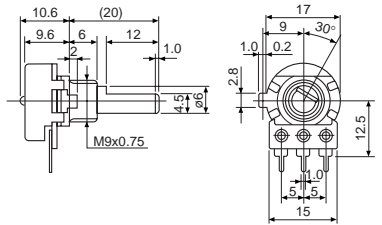

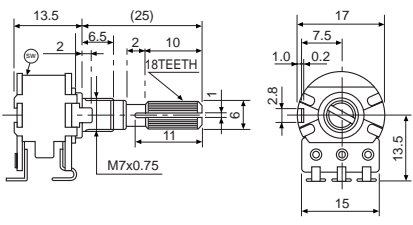
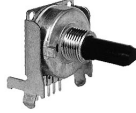
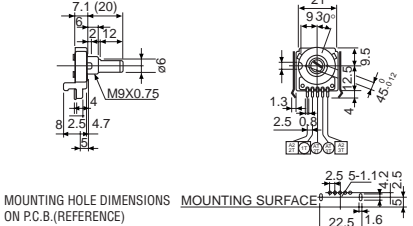

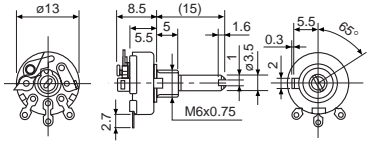

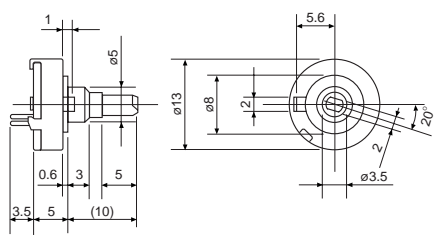


# Potentiometers

<p><b>V12LG3PH2JN</b></p> 	 <p>MOUNTING SURFACE MOUNTING HOLE DIMENSIONS ON P.C.B.(REFERENCE)</p>		
<p><b>VB16L43(PH2D)N</b> (Insulated Shaft)</p> 		<p><b>V16L4S(C26)</b> (with Switch)</p> 	
<p><b>VB161GPHN</b> (Insulated Shaft)</p> 	 <p>MOUNTING SURFACE MOUNTING HOLE DIMENSIONS ON P.C.B.(REFERENCE)</p>	<p><b>V12M4-1S</b> (with Switch)</p> 	

	V12LG3	VB16L43	VB161G	V16L4S(C26)	V12M4-1S
<b>Rotational Angle</b>	300±5°	300±5°	300±5°	300±5°	230±10°
<b>Rotational Torque</b>	2-25mN·m {20-255gf·cm}	3-20mN·m {31-204gf·cm}	3-30mN·m {31-306gf·cm}	3-20mN·m {31-204gf·cm}	2-20mN·m {20-204gf·cm}
<b>Resistance Range</b>	1kΩ-500kΩ (taper B) 5kΩ-500kΩ (other taper)	500Ω-1MΩ (taper B) 5kΩ-1MΩ (other taper)	1kΩ-500kΩ (taper B) 5kΩ-500kΩ (other taper)	500Ω-1MΩ (taper B) 5kΩ-1MΩ (other taper)	1kΩ-500kΩ (taper B) 5kΩ-500kΩ (other taper)
<b>Rated Power</b>	0.05W	0.15W (taper B) 0.1W (other taper)	0.06W	0.2W (taper B) 0.1W (other taper)	0.08W (taper B) 0.04W (other taper)
<b>Rated Voltage</b>	AC 30V, DC 30V	AC 200V AC, DC 10V (taper B) AC 150V, DC 10V (other taper)	AC 10V, DC 10V	AC 200V, DC 200V (taper B) AC 150V, DC 150V (other taper)	AC 150V, DC 150V (taper B) AC 100V, DC 100V (other taper)
<b>Switch Rating</b>	—	—	—	12V DC, 1A (SPST)	DC 12V, 0.5A (SPST)


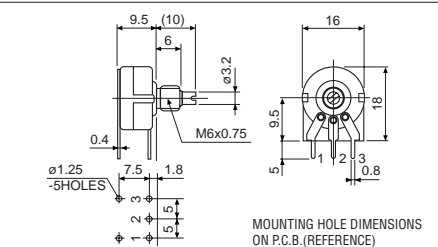
## Long Life-Potentiometer

<p><b>TR133</b></p> 	
---	---

### SPECIFICATIONS

<b>Rotational Angle</b>	220±5°
<b>Rotational Torque</b>	4mN·m (41gf·cm) or less
<b>Resistance Range</b>	5kΩ-100kΩ (taper B)
<b>Resistance Tolerance</b>	±20%
<b>Rated Power</b>	0.125W
<b>Maximum Rated Voltage</b>	AC 10V, DC 10V
<b>Operating Life</b>	500,000 cycles

## Potentiometer for Industrial Applications

<p><b>RV16YP</b></p> 	 <p>MOUNTING HOLE DIMENSIONS ON P.C.B.(REFERENCE)</p>
--	--

### SPECIFICATIONS

<b>Rotational Angle</b>	260±10°
<b>Rotational Torque</b>	2-20mN·m (20-204gf·cm)
<b>Resistance Range</b>	100Ω-1MΩ (taper B) 500Ω-1MΩ (other taper)
<b>Resistance Tolerance</b>	±10%
<b>Rated Power</b>	0.1 W (taper B) 0.05 W (other taper)
<b>Maximum Rated Voltage</b>	AC 200V, DC 200V (taper B) AC 150V, DC 150V (other taper)
<b>Operating Life</b>	15,000 cycles