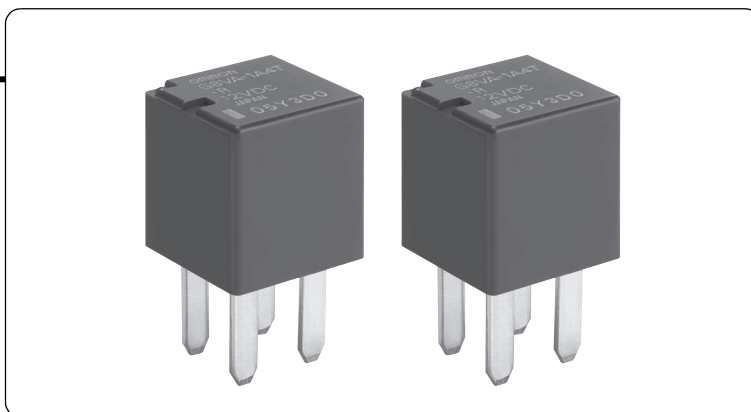


# G8VA

Automotive low profile micro 280 terminal layout relay

**This world's smallest Plug-in relay. Versatile usage for several different kinds of applications inside the relay boxes.**

- Miniaturized package (reduced footprint and height)
- L x W x H = 15.5 x 15.0 x 16.4 mm nominal
- 280-terminal type
- Full automated assembly



## ■ Type standard

G8VA-□□□□-□  
① ② ③ ④ ⑤

	Classification	Symbol	Meaning of the symbol
①	Number of contact poles	1	Number of contact poles
②	Contact structure	A	1a contact
③	Protective structure	4	Simple plastic seal
④	Terminal form	T	Plug-in type
⑤	Surge suppressor	R	Built-in resistor

## ■ Classification

Classification	Terminal form	Contact structure	Protective structure	Rated coil voltage		Type
				Voltage (V)	Resistance (Ω)	
Micro 280	Plug-in 280 terminal	SPST (1a)	Simple plastic seal	DC12	132	G8VA-1A4T-R

## ■ Ratings

### ● Operation coil

Rated voltage (V)	Coil resistance (Ω)			Rated current (mA)	Operating voltage (V)	Release voltage (V)	Service voltage range (V)	Rated power consumption (mA)
	Between terminals	Internal coil	Surge suppressor resistance					
DC12	132	150	1/4W 1.1k	90.9	7.5 or less	1.0 or more	DC10 to 16	1091

### ● Switching area

Item	Performance
Contact material	Silver alloy
Rated voltage	DC12V
Rated load	Resistance load, 15A
Inrush current	80A
Continuous carry current*1	15A
Min. Carry / Switching Current	DC12V 1A

Please confirm Omron Safety Precautions for all automotive relays first.  
Omron can not guarantee automotive relays before finish making a contract with product specifications.

## Performance

Item	Value of Standard	
Voltage drop between terminals	200mV or less, 15A	
Operating time <sup>2</sup>	10ms or less	
Release time <sup>2</sup>	10ms or less	
Insulation resistance <sup>3</sup>	Between coil and terminal	10MΩ or more
	Between homopolar contacts	10MΩ or more
Withstand voltage <sup>4</sup>	Between coil and terminal	AC500V for 1minute
	Between homopolar contacts	AC500V for 1minute
Vibration tolerance	Durability	33Hz 44.1m/s <sup>2</sup>
	Malfunction	33Hz 44.1m/s <sup>2</sup>
Shock resistance	Durability	1000m/s <sup>2</sup> (Operating time:6ms)
	Malfunction	100m/s <sup>2</sup> (Operating time:11ms)
Mechanical endurance	1,000,000 times	
Electrical endurance	100,000 times	
Ambient temperature	-30 to +100°C	
Ambient humidity	35 to 85%RH	
Weight	10g	

## Packing

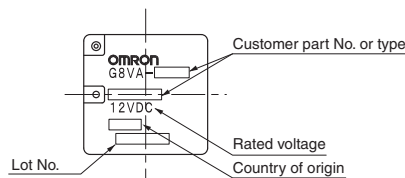
Packing form	Tray
MOQ <sup>5</sup>	500pcs (50pcs×10 trays)

Note: All values above are measured in early time under an ambient temperature of +20°C and humidity of 65% unless stated.

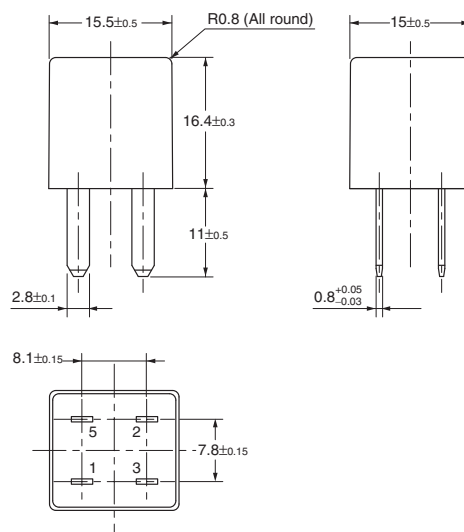
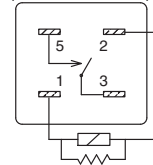
- \*1. The value stated is at maximum temperature in a guaranteed ambient temperature.
- \*2. It changes depend on how a rated voltage is operated, but bounce-time is not included.
- \*3. Measured at DC500V.
- \*4. Measured under 1mA of leak current, 50/60Hz for 1minute.
- \*5. Minimum Order Quantity is subject to change, please feel free to contact our sales representatives.

## Dimensions (Unit: mm)

### G8VA-1A4T-R



### Terminal arrangement / Internal connections (BOTTOM VIEW)



\* Tolerance unless otherwise specified  
 Less than 1 mm: ±0.1 mm  
 Less than 1 to 3 mm: ±0.2 mm  
 3 mm or more: ±0.3 mm

Please confirm Omron Safety Precautions for all automotive relays first.  
 Omron can not guarantee automotive relays before finish making a contract with product specifications.

# Mouser Electronics

Authorized Distributor

Click to View Pricing, Inventory, Delivery & Lifecycle Information:

Omron:

[G8VA-1A4T-R01-DC12](#)