
BETRIEBSANLEITUNG	3
USER MANUAL	13
MODE D'EMPLOI	23
ISTRUZIONI PER L'USO	33

USER MANUAL

Content

1	Safety instructions	14
1.1	In general	14
1.2	Warning levels	14
2	Description and Function	15
2.1	Product	15
2.2	Product parts	15
2.3	Scope of Delivery	15
2.4	General specifications	15
3	Intended Use	16
4	Preparation	16
5	Installation	16
5.1	Daylight sensor with dimmable LED transformer	17
5.2	Daylight sensor with dimmable LED transformer and motion sensor	17
6	Mounting	18
6.1	Recessed mounting	18
6.2	Surface mounting	19
7	Settings	19
8	Maintenance, Care, Storage and Transport	20
9	Liability notice	20
10	Disposal Instructions	20
11	EU Declaration of Conformity	20

1 Safety instructions

1.1 In general

The user manual is part of the product and contains important information for correct use.

- >> Read the user manual completely and carefully before use.

The user manual must be available for uncertainties and passing the product.

- >> Keep this user manual.
- >> Installation, assembly, maintenance and repair work must be carried out only by trained electrical specialists.

Risk of electric shock



- >> Cut off power supply before any work on the product, switch off safety fuses and secure against reconnection.
- >> Assure and check the absence of voltage before any work on the product.
- >> Do not modify product and accessories.
- >> Do not cover the product.
- >> Do not use in sealed environments.
- >> Avoid stresses such as heat and cold, moisture, vibration and mechanical pressure.

Motion detectors are not suitable as a component of alarm systems within the meaning of the Association of Property Insurers (VdS). They can trigger false alarms if the installation place has been chosen unfavorably.

- >> Only use EN 60998-2-1 and EN 60998-2-2 tested terminals.
- >> Follow local installation and building regulations.
- >> In case of questions, defects, mechanical damage, trouble and other problems, non-recoverable by the documentation, contact your dealer or producer.
- >> Use product, product parts and accessories only in perfect condition.
- >> Pay attention to current-carrying or other lines, lying behind plaster and do not damage them!
- >> Only operate with dimmable LED transformers and LED bulbs.

1.2 Warning levels



Warnings against hazards that may result in **serious injuries or death** in case of nonobservance.



Warnings against hazards that may result in **injuries** in case of non-observance.



Warnings against hazards that may result in **material damage** in case of non-observance.



2 Description and Function

EN

2.1 Product

Your product is a daylight sensor for indoor use and provides electrical installation material. It responds to natural light, which illuminates the detection region. If the detection range of the daylight sensor lit, the connected electrical load is dimmed in relation to natural light. Moreover, it can be determined with a controller of the target light level around where the daylight sensor works.

2.2 Product parts

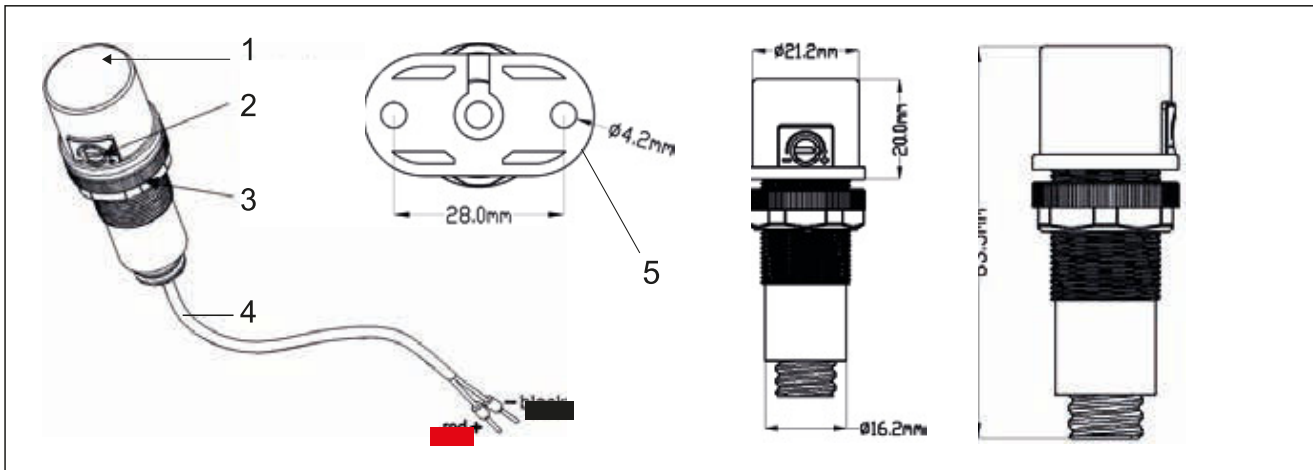


Fig.13: Product parts

- 1 Daylight sensor
- 2 Target light level adjuster
- 3 Mounting attachment
- 4 DC connection cable
- 5 Surface mount adapter

2.3 Scope of Delivery

Daylight sensor, Mounting attachment, User manual

2.4 General specifications

Voltage	1-10 V $\overline{\underline{\underline{\quad}}}$
Standby power	≤ 0.5 W
Dimmability	1-100 %
Detection angle	120/360°
Brightness sensivity	50-800 lx
Mounting height	2.2-4 m

Protection level	IP20
Environment	-20 ~ +40 °C, <93 % RH
Dimensions	Ø22 x 63.5 mm
Mounting hole diameter (Hollow profiles)	17 mm
Mounting hole distance (Surface mount)	28 mm
Weight	28 g

Tab.2: Specifications

3 Intended Use

IP20 We do not permit using the device in other ways like described in chapter “Description and Function“ and „Safety Instructions“. This product is protected against medium sized foreign objects, but not against water ingress. Not attending to these regulations and safety instructions might cause fatal accidents, injuries, and damages to persons and property.

4 Preparation

- Compare the specifications of all used devices to ensure compatibility.
- Check the scope of delivery for completeness and integrity.

5 Installation

⚠ WARNING

Risk of electric shock



- Let open cable ends ONLY assemble by experienced electrician.
- Cut off power supply before any work on the product, switch off safety fuse and secure against reconnection.
- Assure and check the absence of voltage before any work on the product.

- Connect the daylight sensor in one of the ways described below.

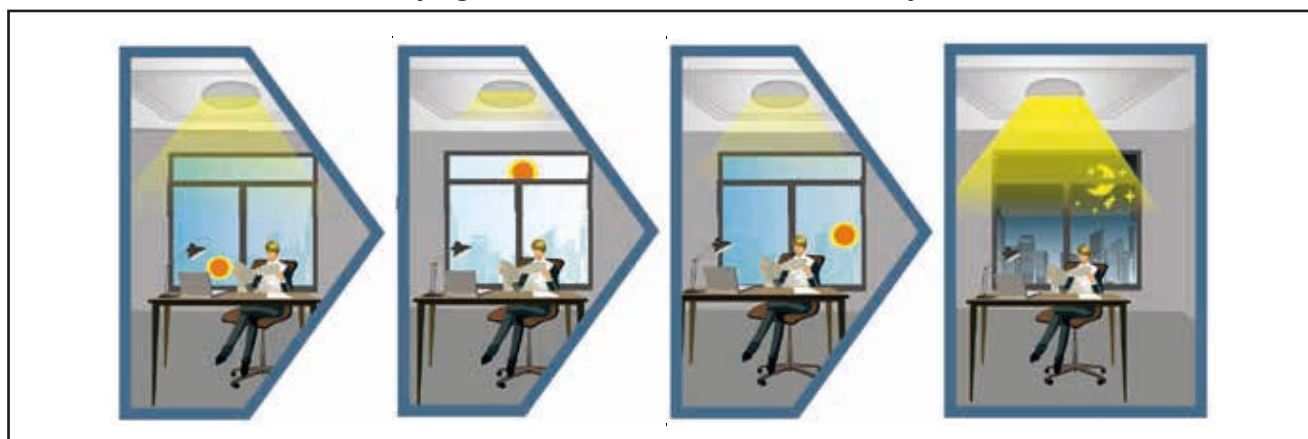


Fig.14: Installation

5.1 Daylight sensor with dimmable LED transformer

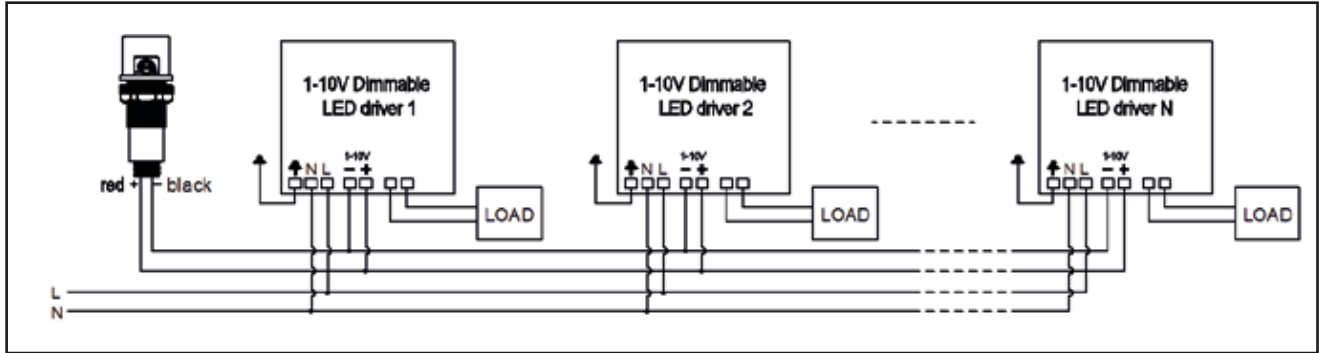


Fig.15: Daylight sensor with dimmable LED transformer

Lamps shine with 100 % more light or dimmed depending on the setting against ambient light. Lamps are dimmed to minimum intensity, but never switch off, not even when sufficient ambient light.

- Switch the lamps on / off via light switch on demand.

5.2 Daylight sensor with dimmable LED transformer and motion sensor

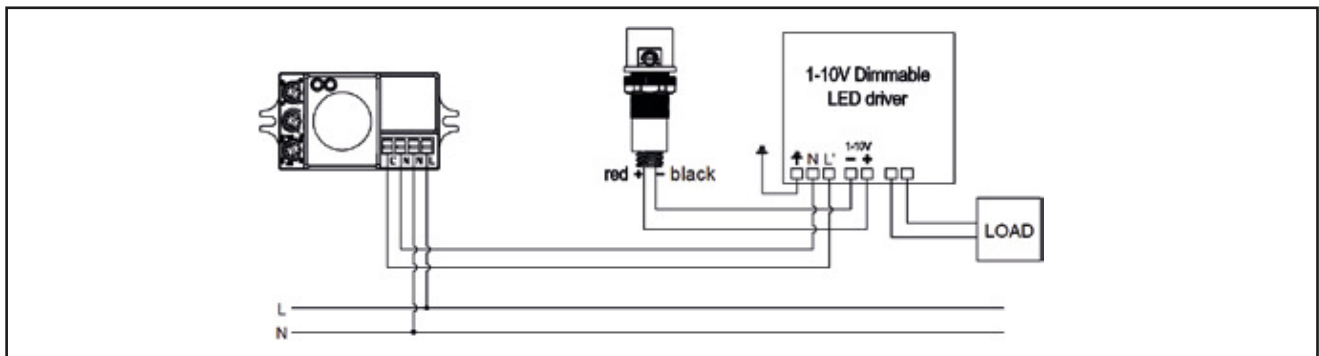


Fig.16: Daylight sensor with dimmable LED transformer and motion sensor



Fig.17: Function 5.2-1

If the ambient light is brighter than the preset threshold illuminance on daylight sensor, the lamp remains off even if motion is detected.



Fig.18: Function 5.2-2

If the ambient light darker than the preset threshold illuminance on daylight sensor, the device is switched on when motion is detected.



Fig.19: Function 5.2-3

During the switch-off delay, set on the motion sensor, the lamp is dimmed to minimum intensity, but never switches off, even when sufficient ambient light.



Fig.20: Function 5.2-4

If no movement is detected, the lamp automatically switches off according the set switch-off delay on the motion detector.

6 Mounting

CAUTION

Risk of falling / Material damage



- Place and use tools safely.
- Pay attention to current-carrying or other lines, lying behind plaster and do not damage them!

- The surface must be stable.

Delivered installation material is only suitable for concrete and stone ceilings. For mounting on other surfaces, other dowels must be used.

6.1 Recessed mounting

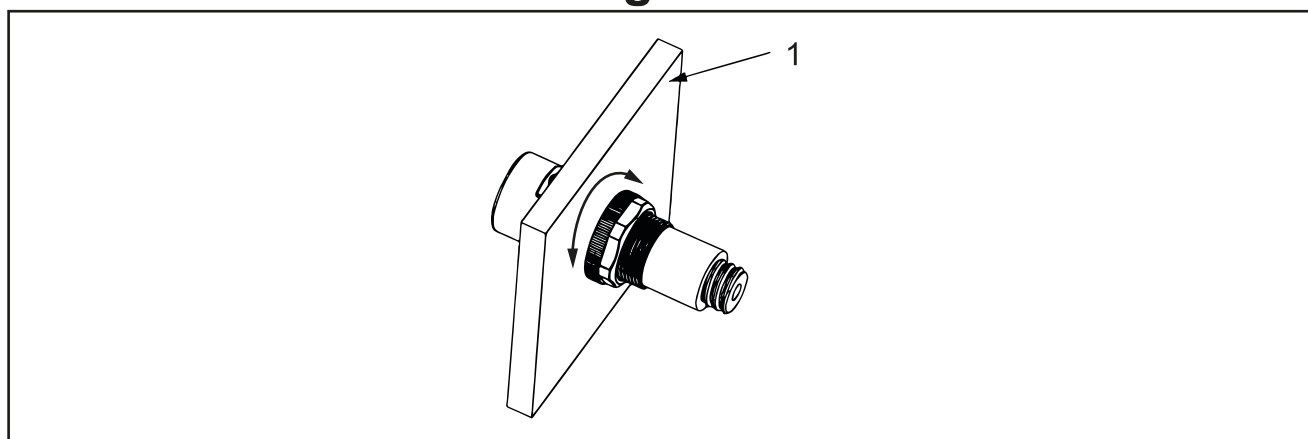


Fig.21: Recessed mounting

- 1 plastic, glass or wood panel

1. Drill the mounting hole with a Ø17 mm drill.
2. Mount the light sensor as illustrated.

6.2 Surface mounting

EN

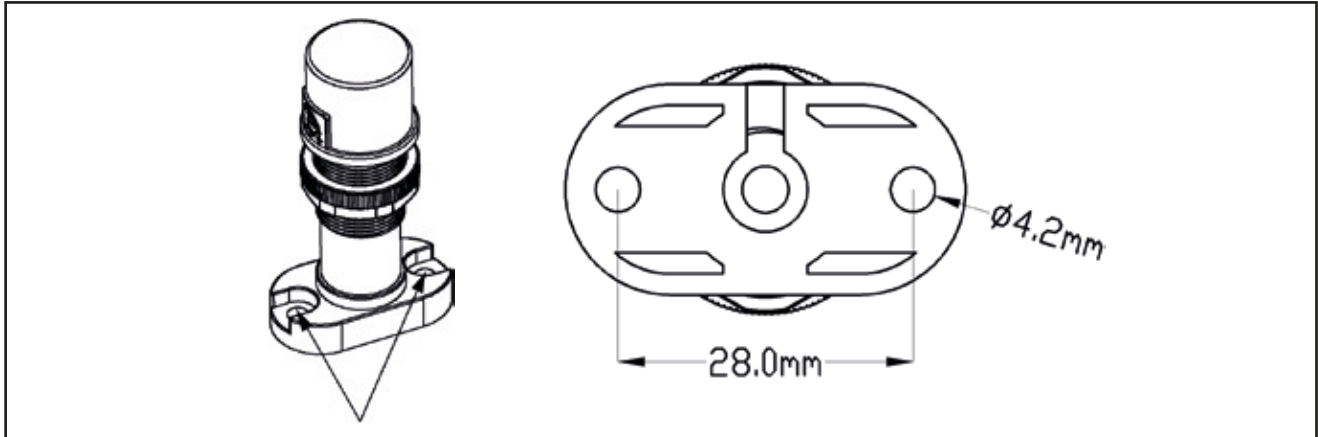


Fig.22: Surface mounting

1. Drill 2 mounting holes with a distance of 28 mm and a drill diameter of $\varnothing 4$ mm.
2. Mount the daylight sensor by mounting material as shown.

7 Settings

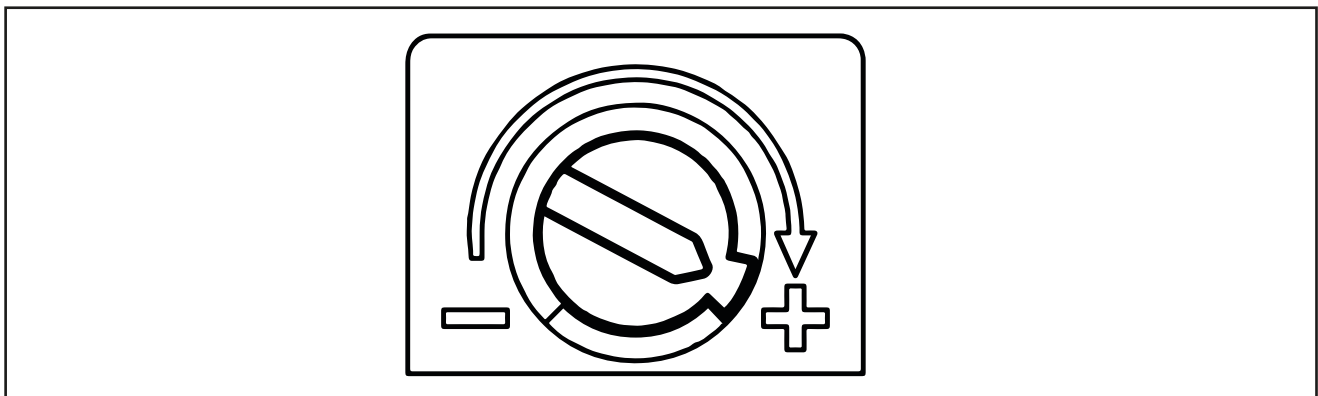


Fig.23: Settings 1

- Adjust the target light level between 50-800 Lux.

Note that in addition to the target light level and the distance to the window or natural light source plays a role.

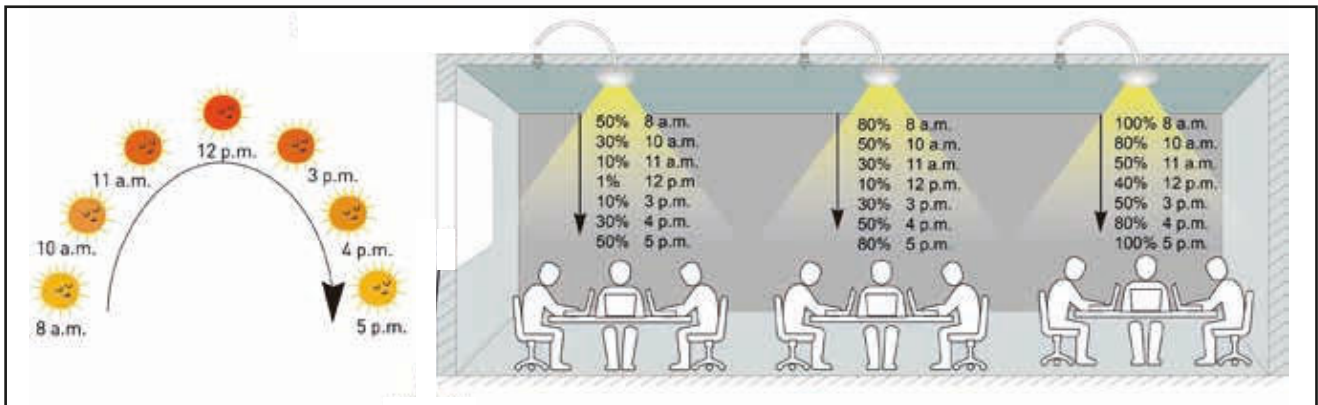


Fig.24: Settings 2

8 Maintenance, Care, Storage and Transport

The product is maintenance-free.

NOTICE

Material Damage

- Only use a dry and soft cloth for cleaning.
- Do not use detergents or chemicals.
- Store cool and dry.
- Store the product out the reach of children and in a dry and dust-protected ambience when not in use.
- Keep and use the original packaging for transport.

9 Liability notice

§ We reserve the right to printing errors and changes to product, packaging or product documentation.

- See our terms of warranty. These are available in their current form under the given contact details.

10 Disposal Instructions



According to the European WEEE directive, electrical and electronic equipment must not be disposed with consumers waste. Its components must be recycled or disposed apart from each other.

Otherwise contaminative and hazardous substances can pollute our environment.

As a consumer, you are committed by law to dispose electrical and electronic devices to the producer, the dealer, or public collecting points at the end of the devices lifetime for free. Particulars are regulated in national right. The symbol on the product, in the user`s manual, or at the packaging alludes to these terms. With this kind of waste separation, application, and waste disposal of used devices you achieve an important share to environmental protection.

WEEE No: 82898622

11 EU Declaration of Conformity



With the CE sign Goobay®, a registered trademark of the Wentronic GmbH ensures, that the product is conformed to the basic standards and directives.