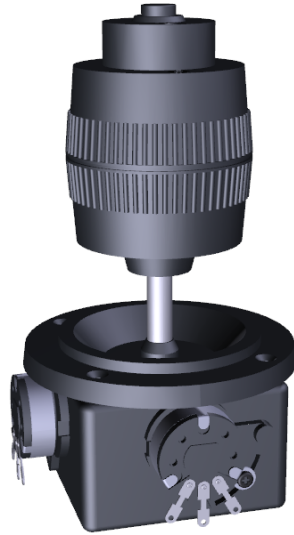


OM 400 系列操纵杆
OM400 series joystick



特点 Features

- 操纵灵活 Flexible handling
- 复位误差小 Small resetting error
- 寿命长 Long life-time

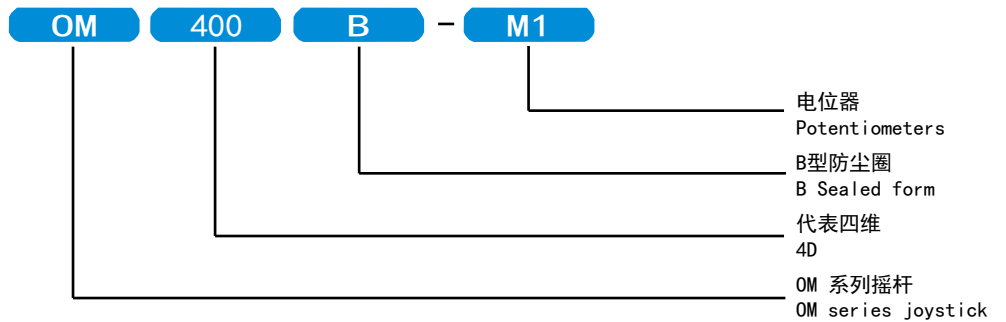
可选项 Options

- 端子型号 Terminal type
- 引线长度 Lead length
- 防尘盖 Seal form
- 开关 Switch
- 电位器型号规格 potentiometer
- 操纵手感轻或重 soft or heavy handling

典型应用 Typical Applications

- 移动摄像和CCTV控制系统
Move photography cctv controlsystem
- 测试计量设备
Measurement equipments
- 医药成像系统
Medical imaging system
- 自动化机器控制
Automotive control
- 视频编辑及生产设备
Video editing equipments
- 工业及科学用仪表
Industrial Instruments

型号选用说明
Model explanation



防尘圈

A



B



C



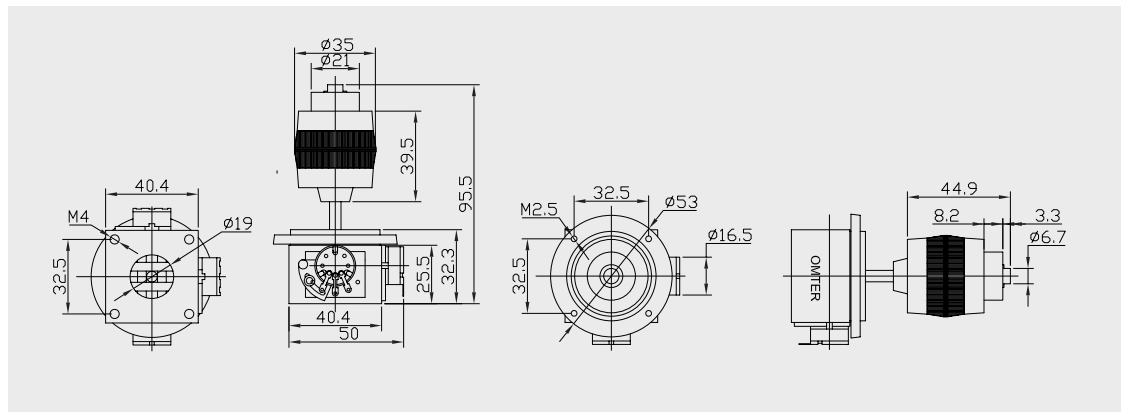
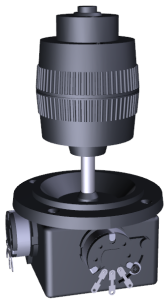
D



电位器选型

- M1表示电位器为5KΩ 最大值由1.8KΩ ±5%调节到3.2KΩ ±5%
- M1: The total resistance value is 5K, but the effect adjust resistance range is from 1.8K to 2.5k, then from 2.5k to 3.2K.
- M2表示电位器为5KΩ 最大值由0调节到5KΩ ±10%
- M2: The total resistance value also is 5K, but the adjust range is from 0k to 2.5K then from 2.5K to 5K.
- M3表示电位器为10KΩ 最大值由6.5KΩ ±5%调节到3.5KΩ ±5%
- M3: The total resistance value is 10K, the adjust range is from 3.5K to 5k, then from 5K to 6.5K.
- M4表示电位器为10KΩ 最大值由0调节到10KΩ ±5%
- M4: The total resistance value is 10K, the adjust range is from 0K to 5K, then from 5K to 10K.
- M5 表示电位器为100KΩ 最大值由33KΩ ±5%调节到68KΩ ±5%
- M5: The total resistance value is 100K, the adjust range is from 36K to 50 k, then from 50K to 64K.
- M6 表示电位器为100KΩ 最大值由0KΩ ±5%调节到100KΩ ±5%
- M6: The total resistance value is 100K, the adjust range is from 0K to 50 k, then from 50 K to 100K.

OM400A



OM400B

