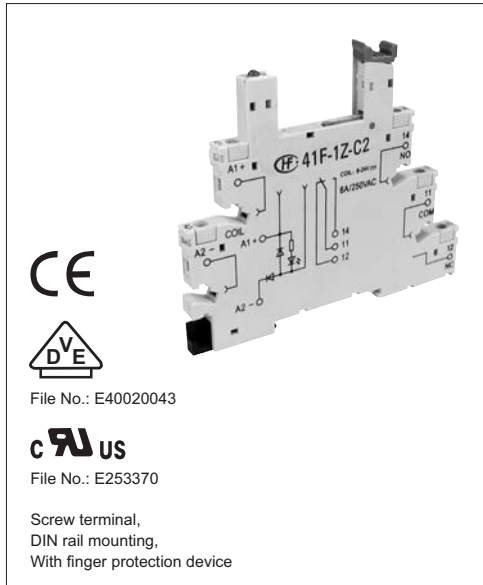


# 41F- 1Z- C2-1/2/3/4/5

# RELAY SOCKET



## CHARACTERISTICS

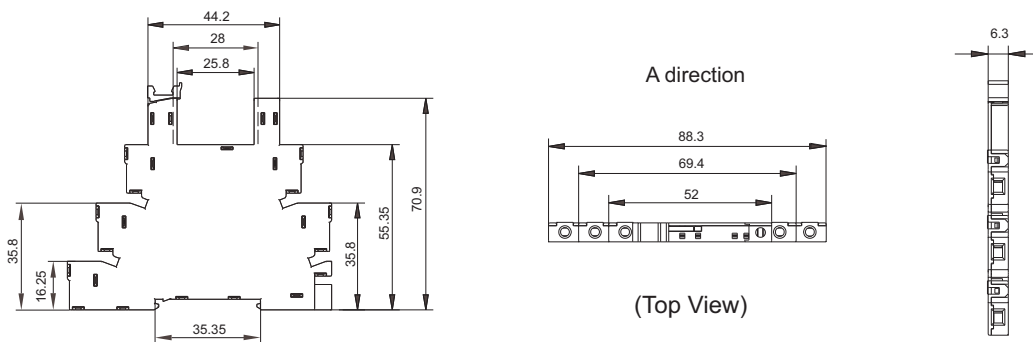
Ambient temperature :	-40 °C to 70°C (-1/-2/-5 type) -40 °C to 55°C (-3/-4 type)
Rated voltage:	250VAC
Rated current :	6A (per pole)
Dielectric strength(Min.) :	5000VAC (between input & output)
Steel retainer :	available
Modules (on request):	self-contained
Terminal torque :	0.6Nm
Wire strip length :	7mm
Max. wire range :	1x2.5 / 2x1.5mm <sup>2</sup>
Applicable relay type:	HF41F

- Notes:** The functions of modules:
- (1) LED indicates the energizing state.
  - (2) Eliminating negative current of relays.
  - (3) Rectifying function (only for DC/AC types).

## DIMENSIONS, PC BOARD LAYOUT AND WIRING DIAGRAM

Unit: mm

### Outline Dimensions



HONGFA RELAY  
 ISO9001, ISO/TS16949, ISO14001, OHSAS18001, IECQ QC 080000 CERTIFIED

2009 Rev. 1.00

## CORRESPONDING INFORMATION WITH RELAY'S COIL VOLTAGE

Order Number	Input voltage	Relay's applicable coil voltage	Remark
41F-1Z-C2-1	12 to 24V DC/AC	12 to 24V DC	No requirement on polarity of input voltage
41F-1Z-C2-2	48 to 60V DC/AC	48 to 60V DC	No requirement on polarity of input voltage
41F-1Z-C2-3	110 to 125V DC/AC	60V DC	No requirement on polarity of input voltage
41F-1Z-C2-4	220 to 240V DC/AC	60V DC	No requirement on polarity of input voltage
41F-1Z-C2-5	5 to 24V DC	5 to 24V DC	Requirement on polarity of input voltage

## ORDERING INFORMATION

<b>Type</b>	41F /	1Z	C2	1
<b>Contact arrangement</b>	1Z: 1 pole			
<b>Termination &amp; Mounting</b>	C2: Screw terminal, DIN rail with finger protection device			
<b>Voltage of module</b>	1, 2, 3, 4, 5: See table above for corresponding information with relay's coil voltage			