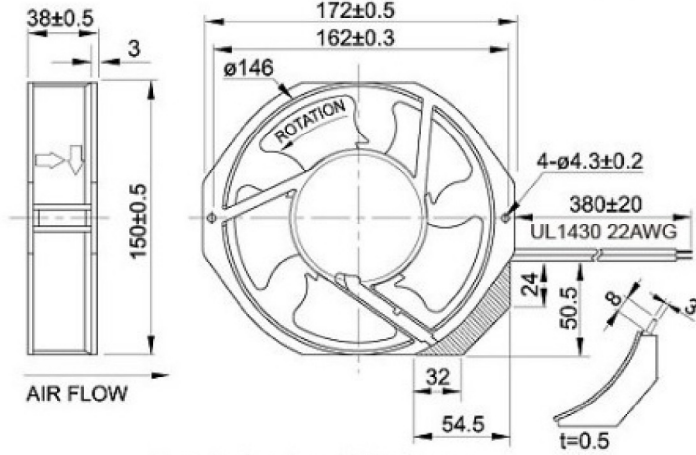


# UF15A Series

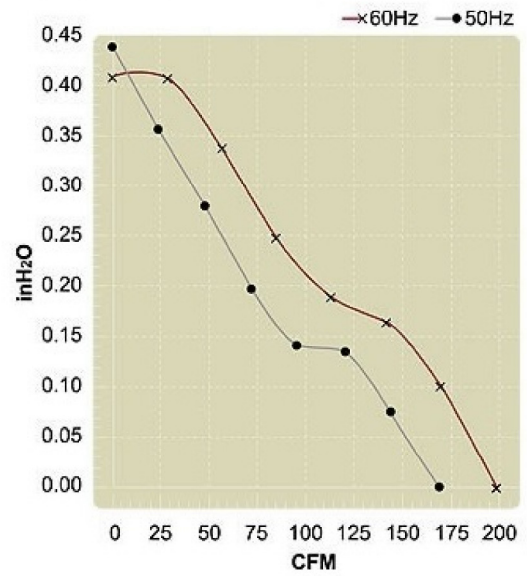


Impedance-Protected



Terminal or Lead Wire Type

Model	UF15A11-H
Rated Voltage	115 V
Frequency	50/60 Hz
Input Power	36/30 W
Rated Current	0.5/0.38 A
Locked Current	0.66/0.56 A
Speed	2750/3200 RPM
Maximum Air Flow	4.7/5.6 m <sup>3</sup> /min.
Maximum Air Flow	166/198 CFM
Maximum Pressure	11/10 mmH <sub>2</sub> O
Maximum Pressure	0.43/0.4 InchH <sub>2</sub> O
Noise	50/55 dB
Weights	0.78 kg



Model	UF15A23-H
Rated Voltage	230 V
Frequency	50/60 Hz
Input Power	39/31 W
Rated Current	0.25/0.19 A
Locked Current	0.32/0.28 A
Speed	2750/3200 RPM
Maximum Air Flow	4.7/5.6 m <sup>3</sup> /min.
Maximum Air Flow	166/198 CFM
Maximum Pressure	11/10 mmH <sub>2</sub> O
Maximum Pressure	0.43/0.4 InchH <sub>2</sub> O
Noise	50/55 dB
Weights	0.78 kg