

REV.	DESCRIPTION	DRAWN	CHECKED	APPROVED
A	NEW RELEASE	YCH 02/01/07	~	LJC 02/01/07
B	重新開模	YCH 08/15/07	~	LJC 08/15/07
D	Drawing Update	JLZ 07/25/16'	~	

NOTES:

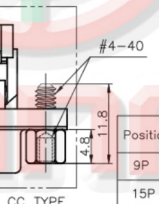
- ELECTRICAL CHARACTERISTICS:
 - CONTACT RESISTANCE: 30m Ω Max.INITIAL.
 - DIELECTRIC WITHSTANDING VOLTAGE:500V AC(rms) FOR 1 MINUTE.
 - INSULATION RESISTANCE:1000M Ω Min.
- MECHANICAL CHARACTERISTICS:
 - DURABILITY: 300 CYCLES.
- ENVIRONMENT CHARACTERISTICS:
 - TEMPERATURE RANGE: -40°C~+105°C.
- PRODUCT NUMBER CODE:

DS1036 - XX X X X X X X - YT

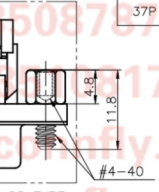
- YT SCREW TYPE
- X:W/O SCREW
- 1:CC TYPE
- 2:CS TYPE
- RIVET TYPE
- P:W/ THREAD(UNC #4-40)
- N:W/O THREAD(FOR W/O SCREW ONLY)
- CONTACT PLATING
- Z: GOLD+NICKEL
- HOUSING COLOR
- U:BLUE
- B:BLACK
- STRAIN RELIEF
- P:W/
- N:W/O
- CONNECTOR TYPE
- M:MALE
- F:FEMALE
- No.OF CONTACTS
- 09:9pos 15:15pos
- 25:25pos 37:37pos

Position	D \pm 0.2			E \pm 0.2		
	A \pm 0.1	B \pm 0.2	C \pm 0.2	Male	Female	
9P	10.16	30.80	24.99	17.90	16.33	19.00
15P	17.78	39.14	33.32	26.50	24.66	27.34
25P	30.48	53.04	47.04	40.00	38.38	41.24
37P	45.72	69.32	63.50	56.50	54.84	57.52

W/O SCREW TYPE



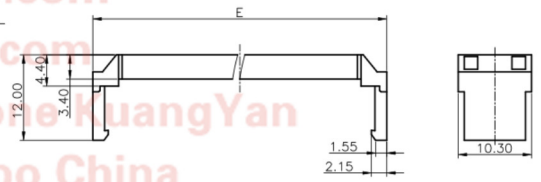
CC TYPE



CS TYPE



UPPER COVER

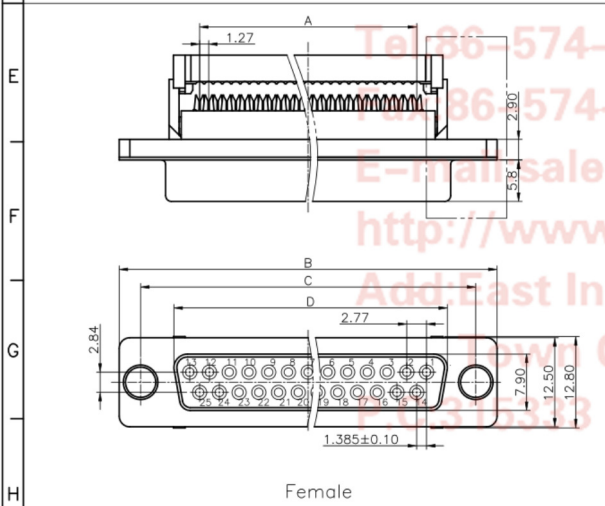
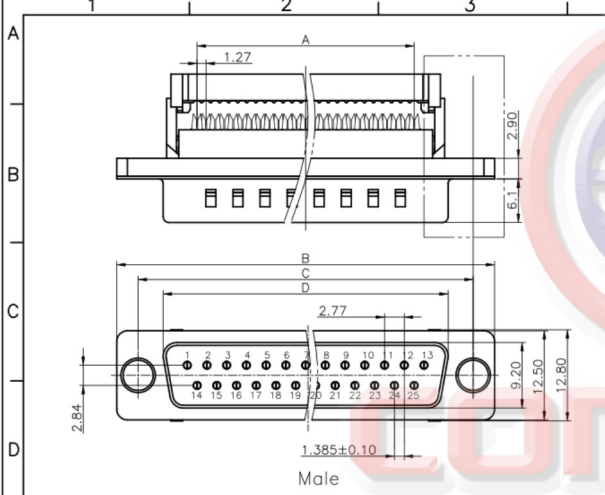


GENERAL TOLERANCE	ANGLE TOLERANCE
X. \pm 0.60	X. \pm 3'
.X \pm 0.38	.X \pm 2'
.XX \pm 0.25	.XX \pm 1'

PROJECTION	TITLE	I.D.C D-SUB
UNITS mm		
SHEET SIZE A4	SERIES DS1036 SERIES	

DRAWING TYPE	CUSTOMER
SCALE 1:1	SHEET 1 OF 1
DRAWING NO. C-DS1036-XXXXXXX-YT-D	

晨翔电子有限公司
CONNFLY CONNFLY ELECTRONIC CO. LTD



Tel: 86-574-63508767
 86-574-63508767
 E-mail: sale@connfly.com
 http://www.connfly.com
 Add: East Industry Zone, KuangYan
 Town, Cixi Ningbo China
 Fax: 86-574-63508767