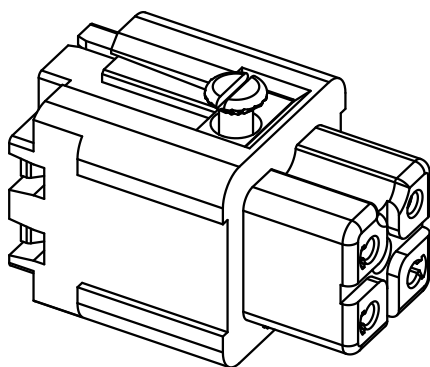


Befestigungsschraube
lose beigelegt/
*insert fixing screw
separately enclosed*



All Dimensions in mm Original Size DIN A 4			Techn. Character.			Nicht tolerierte Masse/ Free size tolerances		
				Dat.	Name	Maßstab/ Scale 2:1	Han 3A-F-QL <i>Buchseneinsatz/female insert</i>	
			Detail.	20.08.09	Ho			
			Insp.		FER			
			Stand.					
B	24.09.10	ML	HARTING Electric GmbH & Co. KG				TB 09 20 003 2733	
A			D-32339 Espelkamp					
Mod.	Dat.	Name				Sub.	Blatt/ page	

Mouser Electronics

Authorized Distributor

Click to View Pricing, Inventory, Delivery & Lifecycle Information:

[HARTING:](#)

[09200032733](#)