

1 2 3 4 5 6

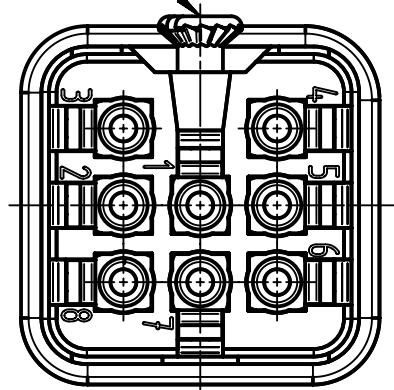
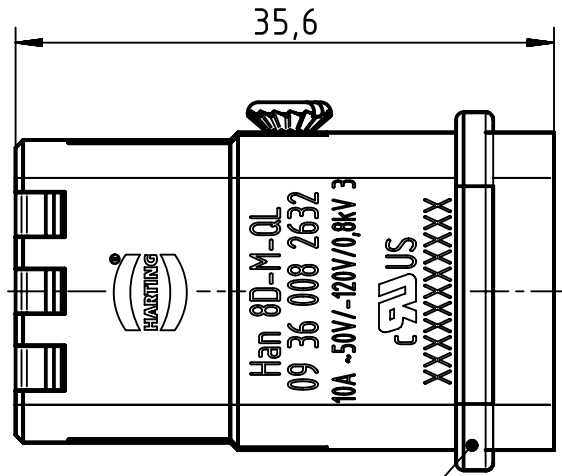
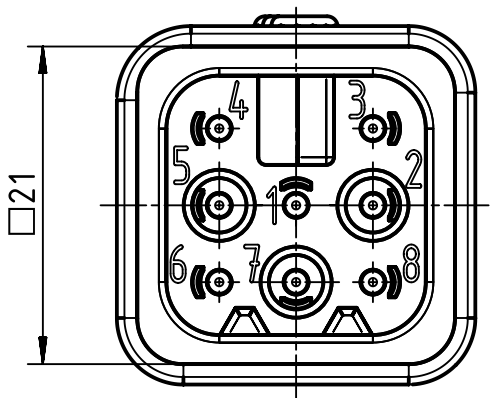
A

B

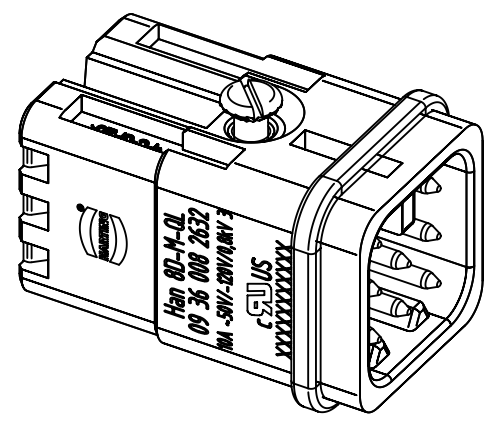
C

D

insert fixing screw M3x6
separately enclosed



seal



	All rights reserved Department EL PD - DE	All Dimensions in mm Original Size DIN A4		Scale 2:1	Free size tol.	Ref.
		Created by RULLKOETTER	Inspected by BERGHORN	Standardisation TIEMANNA	Date 2015-01-07	State Final Release
HARTING Electric GmbH & Co. KG D-32339 Espelkamp			Title Han 8D-M Quick Lock 22 - 16 AWG			Doc-Key / ECM-Nr. 100177491/UGD/004/A 500000082990
Type TB		Number 09 36 008 2632		Rev. A	Page 1/1	