

5

4

3

2

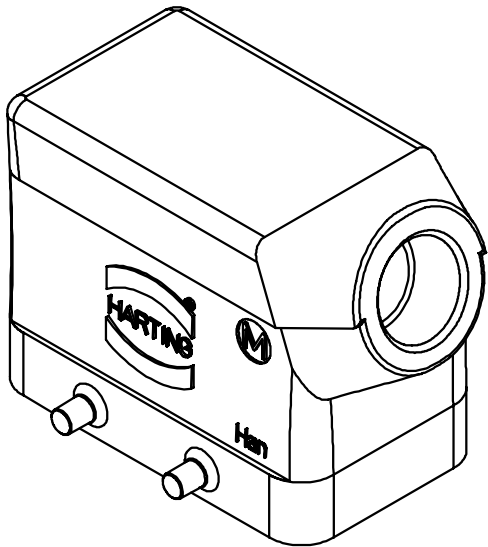
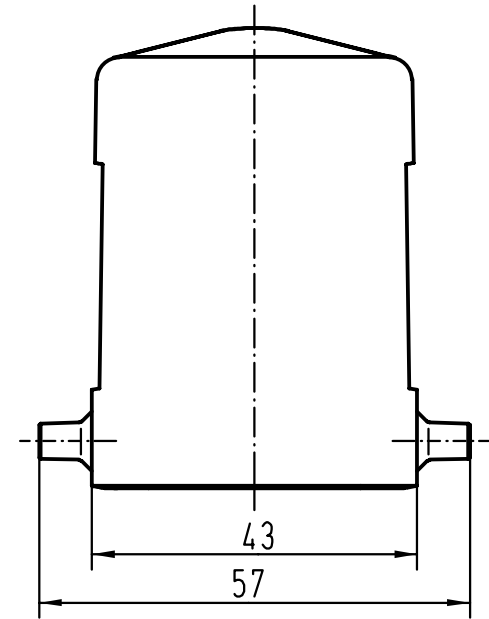
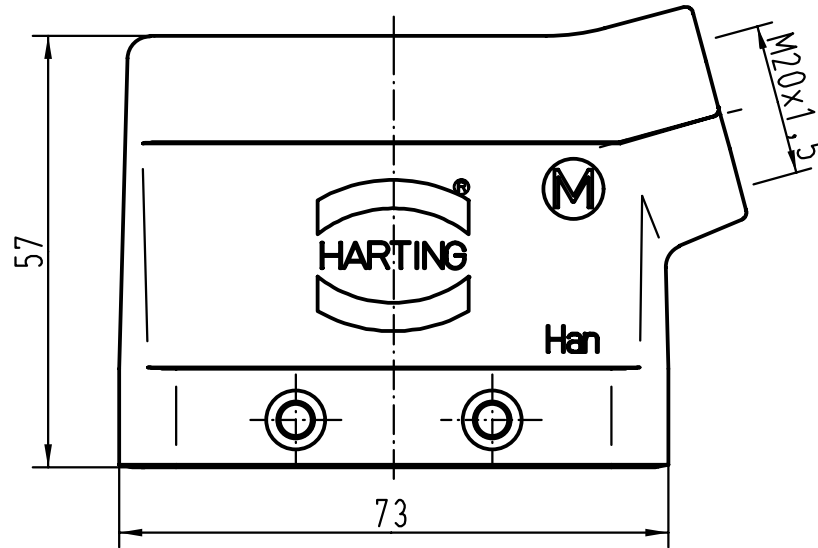
1

D

C

B

A



| | | | | | | | |
|---|------|-------------------|-----------------------------------|------|--|---|---------------------|
| All Dimensions in mm Original Size DIN A 4 | | Techn. Character. | | | Nicht tolerierte Masse/ Free size tolerances | | |
| | | | Dat. | Name | Massstab/ Scale 1:1 | Han 10B-gs-M20 Tüllengehäuse/ hoods side-entry | |
| | | Detail. | 15.11.00 | Gd | | | |
| | | Insp. | | KR | | | |
| | | Stand. | | | | | |
| 28835 | | | HARTING KGaA D-32339 ESPELKAMP | | | TB 19 30 010 1520 | Blatt/ page Sub. |
| Mod. | Dat. | Name | | | | | |