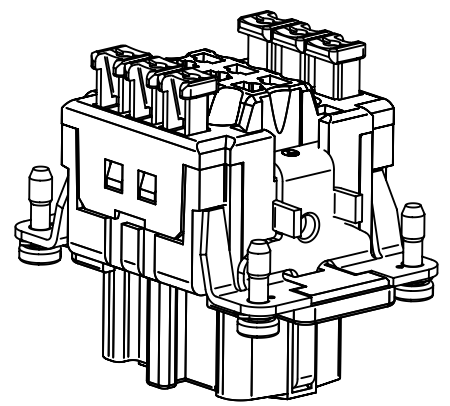
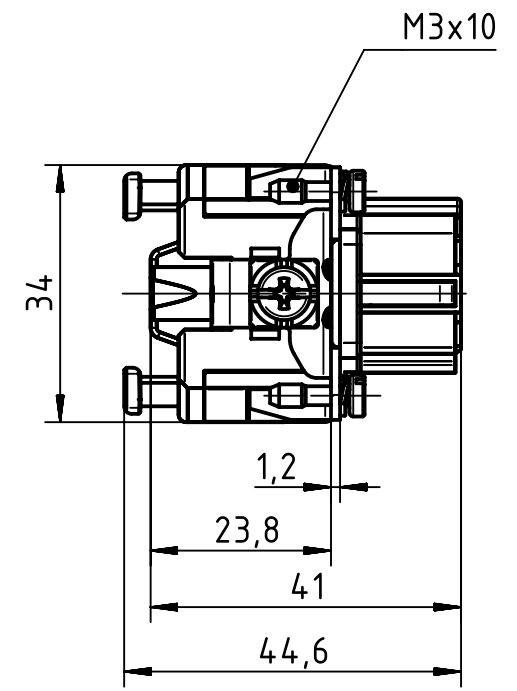
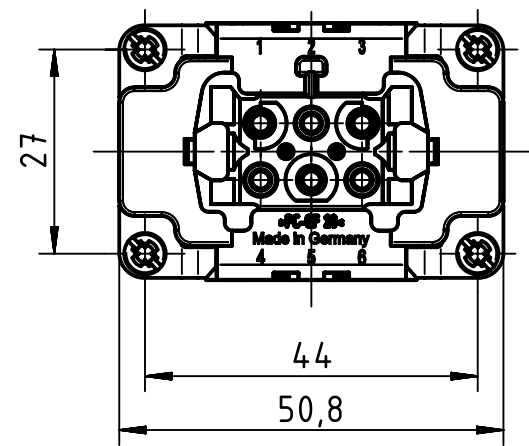
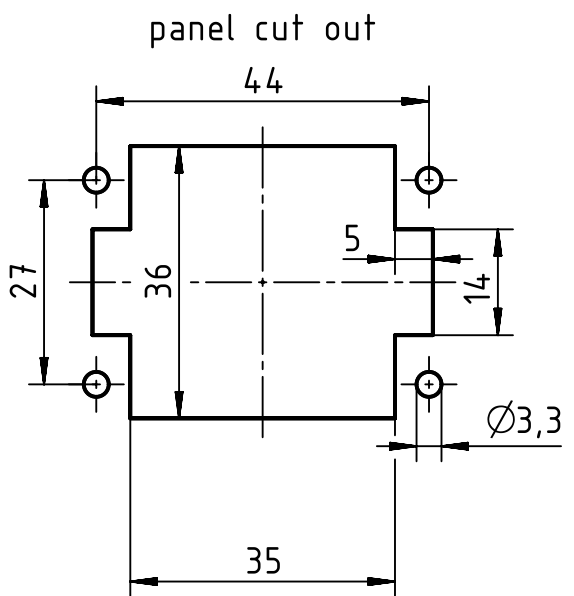



A

B

C

D



	All Dimensions in mm Original Size DIN A4		Scale 1:1		Free size tol.		Ref.			
	All rights reserved Department EL PD - DE		Created by MOELLERLI		Inspected by RUETERA		Standardisation TIEMANNA			
HARTING Electric GmbH & Co. KG D-32339 Espelkamp		Title Han 6ES Press - F					Date 2016-04-11		State Final Release	
		Type TB		Number 09 33 006 2748			Doc-Key / ECM-Nr. 100616098/UGD/001/B 500000103088		Rev. B Page 1/1	

Mouser Electronics

Authorized Distributor

Click to View Pricing, Inventory, Delivery & Lifecycle Information:

[HARTING:](#)

[09330062748](#)