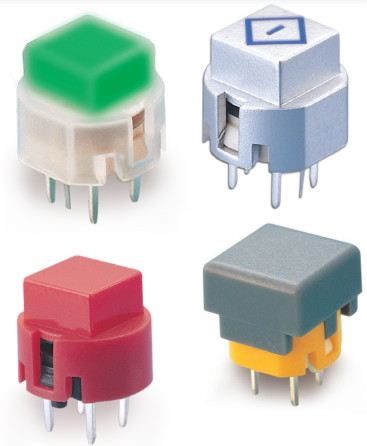


» Features

- A short stroke, light tact feeling and long life switch with a button.
- There are five colors and four shapes available for users' selection. Many & Colorful Accessories Color buttons , color mounting frames, LED lights are available.
- Various symbols can be engraved on the cap.
- Any customization for cap & symbol is welcomed.

» Applications

- Suitable for use in digital circuits of any electronic devices as reset switches, etc.



» Specifications

Rating	10mA 35VDC
Insulation Resistance	100MΩ Min(at 250 VDC)
Dielectric Strength	AC 250V (50/60 Hz for 1 minute)
Contact Resistance	30mΩ Max. (Initial)
Electrically Life	V:130gf 100,000 Cycles Min
	M:250gf 30,000 Cycles Min
Ambient Temperature	-20°C~ +60°C
Operating Force	V: 130 ± 50gf
	M: 250 ± 50gf
Travel	1.0 ± 0.2 mm

» LED Specifications

Color	VR	IF	Recommended Operating Current	VF	
				Nom	Max
Red	DC 5V	20mA	20mA	1.7V	2.4V
Green	DC 5V	20mA	20mA	1.9V	2.4V
Yellow	DC 5V	20mA	20mA	1.9V	2.4V
Blue	DC 5V	20mA	20mA	3.0V	3.6V
White	DC 5V	20mA	20mA	3.0V	3.6V

For the specification about the other LEDs, please contact with sales department

» Product selection

KS01-

BUTTON TYPE		OPERATING FORCE		LED BRIGHTNESS		LASER ETCHING	
A		V	130 ± 50gf	-	Standard	01	
B		M	250 ± 50gf	C	High Brightness	02	
C		BUTTON COLOR		LED COLOR		03	OK
D		-	LED	1		04	
F		R	Red	2		05	
AL		Y	Yellow	3		06	
BL		G	Green	4		07	
EL		B	Blue	5		08	
EL1		W	White	6		09	
		BK	Black	7		10	
				8			
				9			
				10			
				011			
				12			
				13			
				14			
				23			
				48			
				52			
				58			
				-	Non-LED		
				CAP COLOR			
				1	Misty Silver		
				2	Bright Silver		
				3	Gold		
				4	White		
				5	Bright Black		
				6	Red		
				7	Misty Black		
				8	Sky blue		
				9	Gunme black		
				A	Orange		

Please inquire about the details with our sales representative.

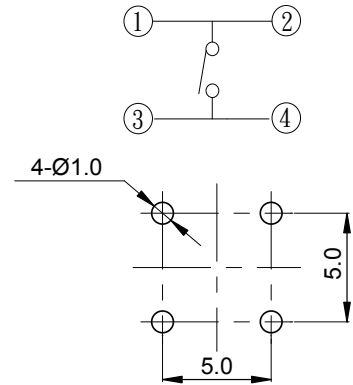
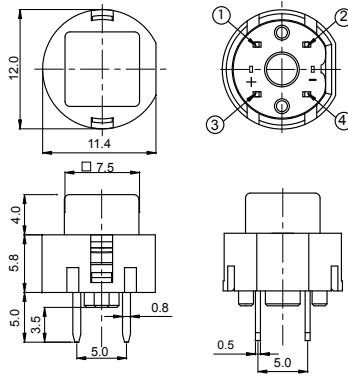
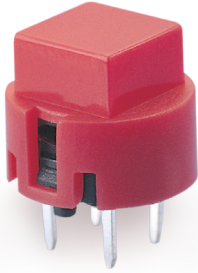
» Operating characteristics

Unit: mm

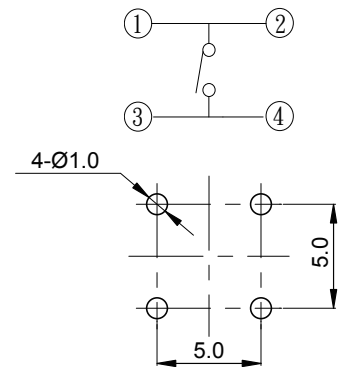
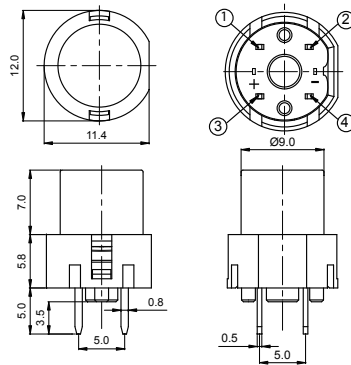
Dimensions

P.C.B Layout

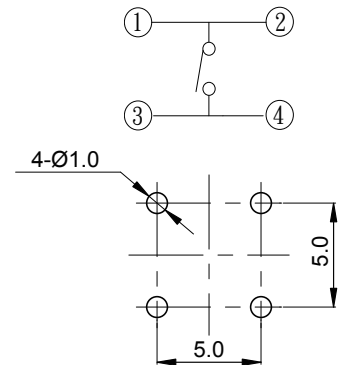
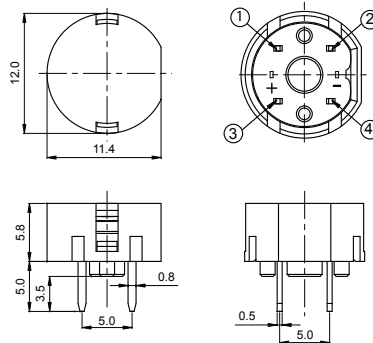
KS01-A



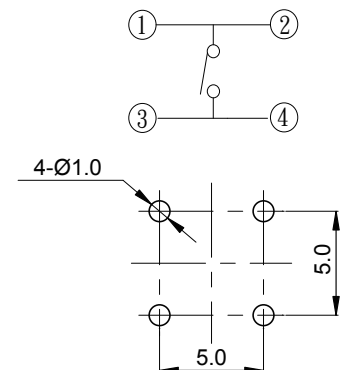
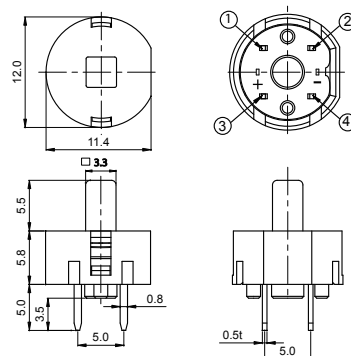
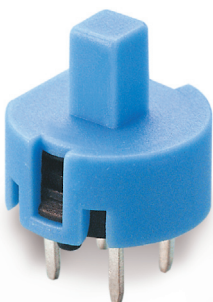
KS01-B



KS01-C



KS01-D



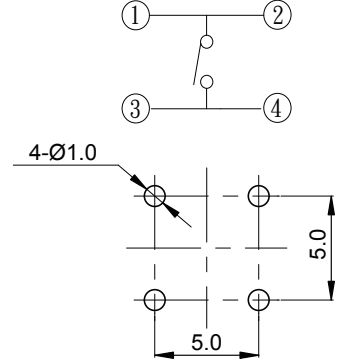
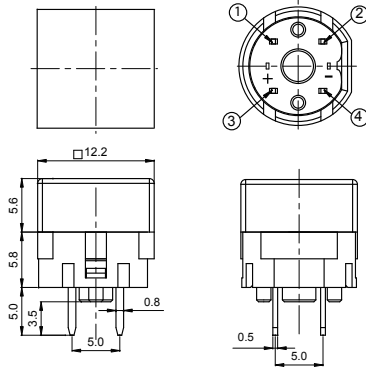
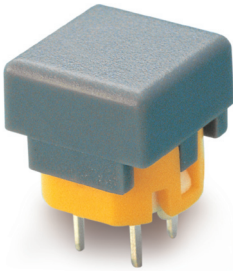
» Operating characteristics

Unit: mm

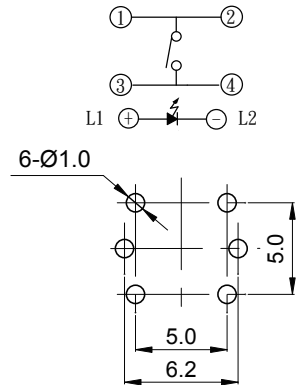
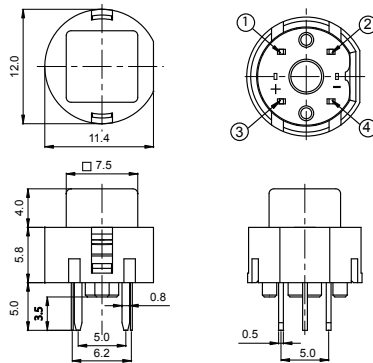
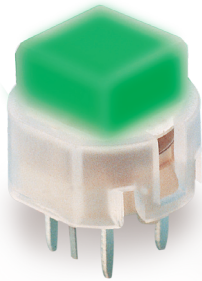
Dimensions

P.C.B Layout

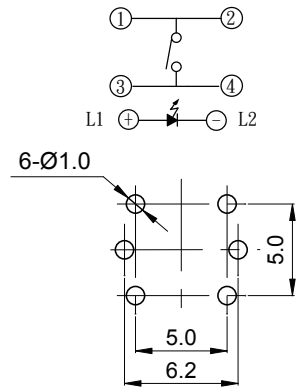
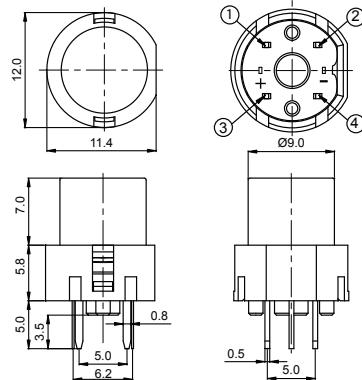
KS01-F



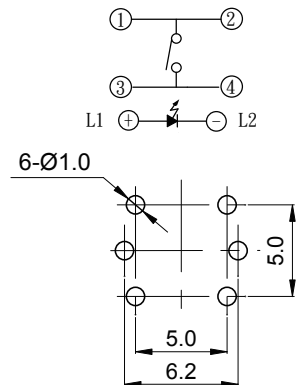
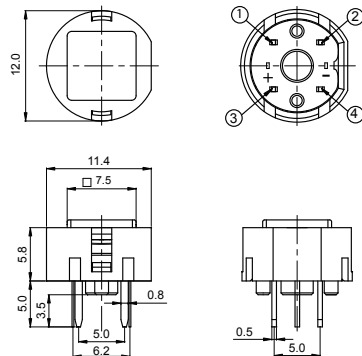
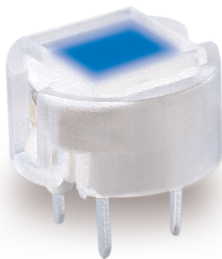
KS01-AL



KS01-BL



KS01-EL



» **Operating characteristics**

Unit: mm

Dimensions

P.C.B Layout

KS01-EL1

