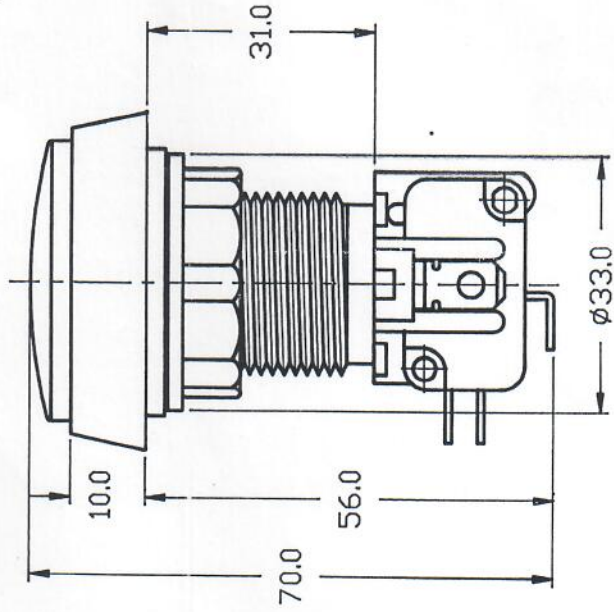
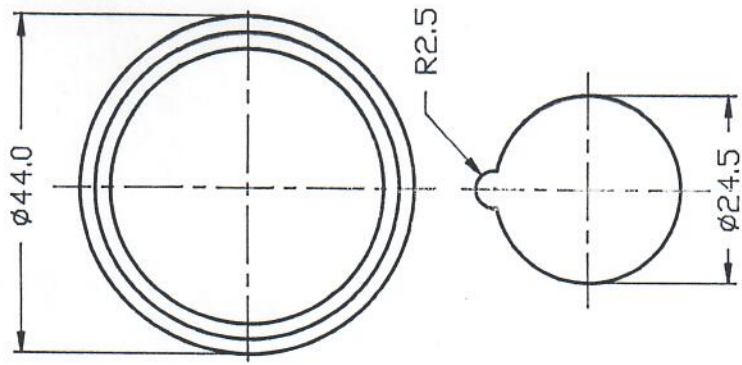


CHARACTERISTICS

Contact resistance	50mΩ max. (initial)	Rating	1: 1A 125VAC or 250VAC
Insulation resistance	100MΩ min. (at 500 VDC)	Item No.	10: 10A 125VAC or 250VAC
Dielectric strength	1,000VAC 50/60Hz for 1 minute	Button color	15: 15A 125VAC or 250VAC
Mechanically service life	10,000,000 operations min.		910-2
Electrically service life	1,000,000 operations min.		1: Red 4: White
			2: Yellow 5: Black (x)
			3: Green 6: Blue



海立電氣有限公司
HIGHLY ELECTRIC CO LTD

修正: REVISION

日期: DATE

說明: DESCRIPTION

審核: CHECKED
圖克威 9/8

單位: UNIT
m/m

材料: MATERIAL

日期: DATE
83.09.07

料號: TYPE NO

910-2

繪圖: DRAWN
HGG

比例: SCALE

公差: TOLERANCE

加工: PROCESS

檔名: FILE NO

910-2