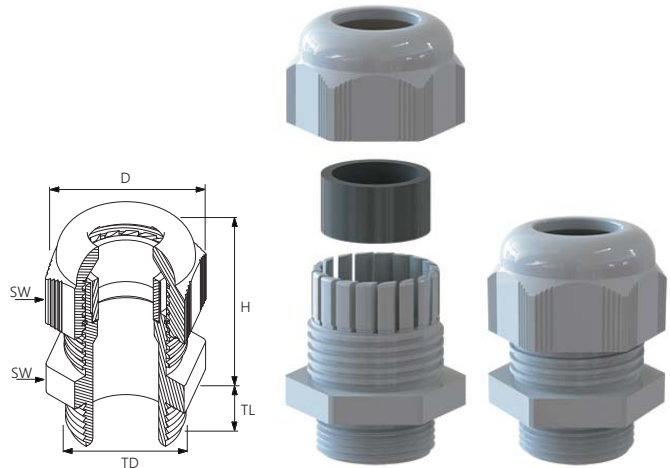


METRIC THREAD CABLE GLANDS

BM & BI

Technical Details		
Material	Body	PA 6 (Polyamide 6)
	Cap	PA 6 (Polyamide 6)
	Seal	CR (Chloroprene Rubber)
Flammability	V2 (According to UL 94)	
Protection Class	IP 68 - 5 Bar	
Operating Temperature	Permanent	-20 °C up to +100 °C
	Intermittent	-30 °C up to +150 °C
Attachment Thread	EN 60423	
Benefits	Easy assembly	
	Easy handling	
Accessories	Lock nuts	
	Dome Plugs	
	Dust plugs	
	Reducing seals	
	Flat cable seals	
	Multihole seals	
	Gaskets	
Approvals	Please see page Certificates	
UV Test Report Ref. & Standard	RES 107572 & UL514B § 8.26.7	
Remarks	Other colours on request (Red-White-Blue)	
	Different sealing types available	
	Large accessory range	
	Manufactured according to the requirements of EN 50262	



Thread Type	Clamping Range Ø min-max mm	Technical Information					Codes			Packing Information	
		TL mm	TD mm	SW mm	Max. H mm	D mm	Ral 7001	Ral 7035	Ral 9005	Inner Pack	Box/Min.Qty.
M12x1,5	3,0 - 6,5	8,0	12,0	15,0	23,0	17,2	BM-05	BM-15	BM-25	100	6.000
M16x1,5	5,0 - 10,0	10,0	16,0	22,0	30,0	25,2	BM-01	BM-11	BM-21	50	2.400
		15,0					BM-01L	BM-11L	BM-21L		
M20x1,5	6,0 - 12,0	10,0	20,0	24,0	30,0	27,7	BM-02	BM-12	BM-22	50	1.800
		15,0					BM-02L	BM-12L	BM-22L		
	10,0 - 14,0	10,0	20,0	27,0	33,0	31,0	BM-03	BM-13	BM-23		1.600
		15,0					BM-04	BM-14	BM-24		1.800
M25x1,5	13,0 - 18,0	10,0	25,0	33,0	35,5	37,2	BM-05	BM-15	BM-25	25	750
		15,0					BM-06	BM-16	BM-26		
M32x1,5	18,0 - 25,0	15,0	32,0	42,0	41,0	47,5	BM-07	BM-17	BM-27	20	600
M40x1,5	22,0 - 32,0	18,0	40,0	53,0	50,0	60,0	BM-08	BM-18	BM-28	10	200
M50x1,5	30,0 - 38,0	18,0	50,0	60,0	54,0	67,7	BM-09	BM-19	BM-29	10	200
M63x1,5	34,0 - 44,0	18,0	63,0	65,0	54,5	72,2	BM-10	BM-20	BM-30	10	200
Glands With Reducing Seal											
M12x1,5	2,0 - 5,0	8,0	12,0	15,0	23,0	17,2	BI-05	BI-15	BI-25	100	6.000
M16x1,5	3,0 - 7,0	10,0	16,0	22,0	30,0	25,2	BI-01	BI-11	BI-21	50	2.400
		15,0					BI-01L	BI-11L	BI-21L		
M20x1,5	5,0 - 9,0	10,0	20,0	24,0	30,0	27,7	BI-02	BI-12	BI-22	50	1.800
		15,0					BI-02L	BI-12L	BI-22L		
	7,0 - 12,0	10,0	27,0	33,0	31,0	BI-03	BI-13	BI-23	1.600		
		15,0				BI-04	BI-14	BI-24	1.800		
M25x1,5	9,0 - 16,0	10,0	25,0	33,0	35,5	37,2	BI-05	BI-15	BI-25	25	750
		15,0					BI-06	BI-16	BI-26		
M32x1,5	12,0 - 20,0	15,0	32,0	42,0	41,0	47,5	BI-07	BI-17	BI-27	20	600
M40x1,5	20,0 - 26,0	18,0	40,0	53,0	50,0	60,0	BI-08	BI-18	BI-28	10	200
M50x1,5	25,0 - 31,0	18,0	50,0	60,0	54,0	67,7	BI-09	BI-19	BI-29	10	200
M63x1,5	29,0 - 35,0	18,0	63,0	65,0	54,5	72,2	BI-10	BI-20	BI-30	10	200