
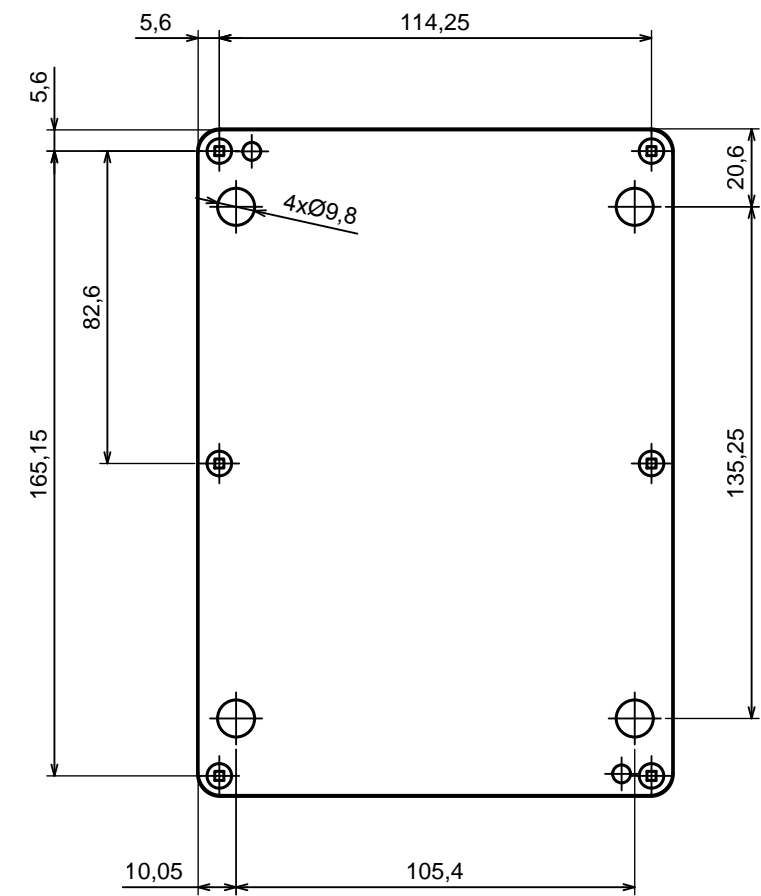
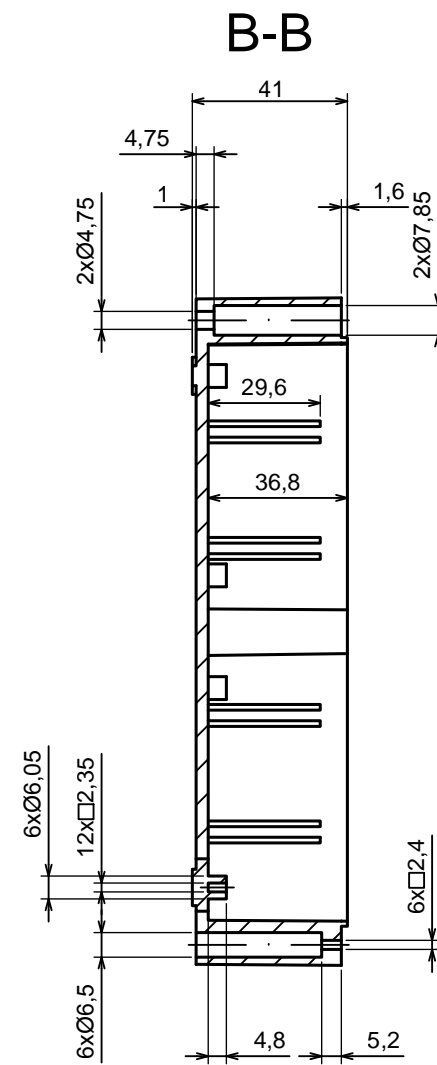
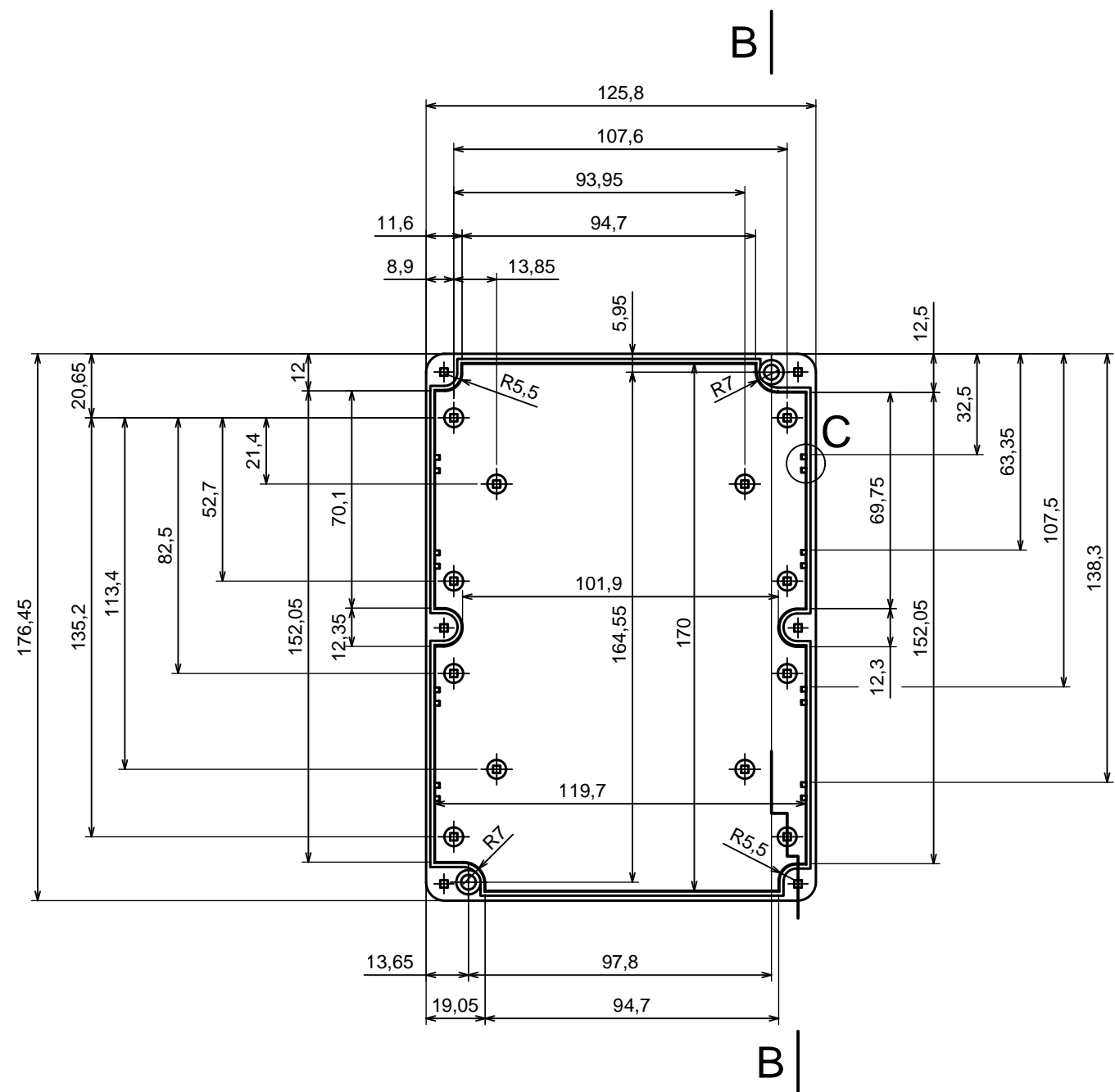
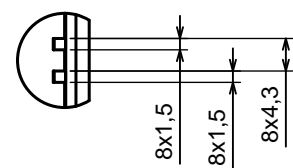


All rights reserved, Copyright Kradox 2016		
Product model	Enclosure Z74 - assembly	
Format: A3	Material: PS, ABS	
Scale 1:1	Tolerance: +/- 0.5	



C (1:1)



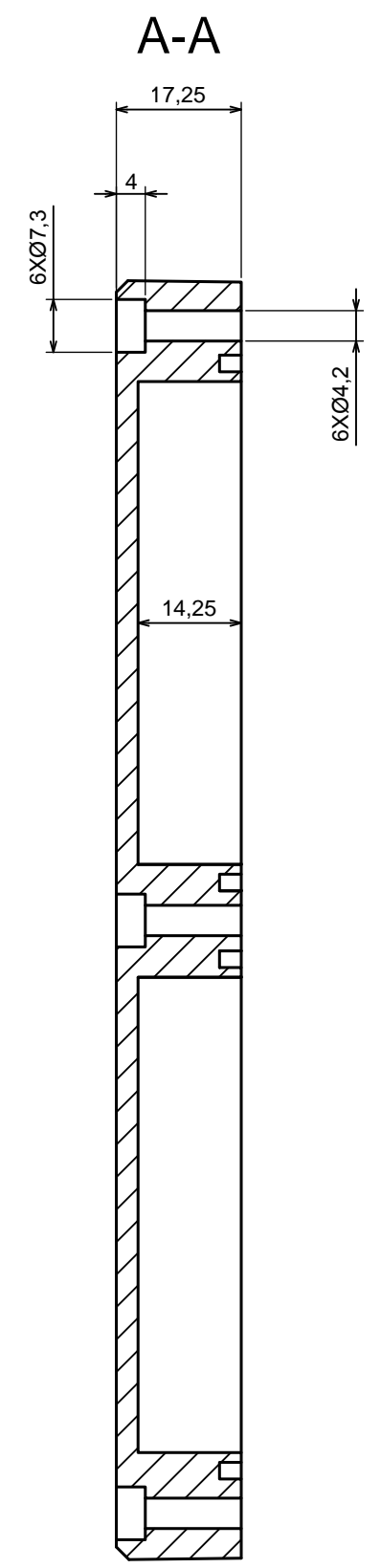
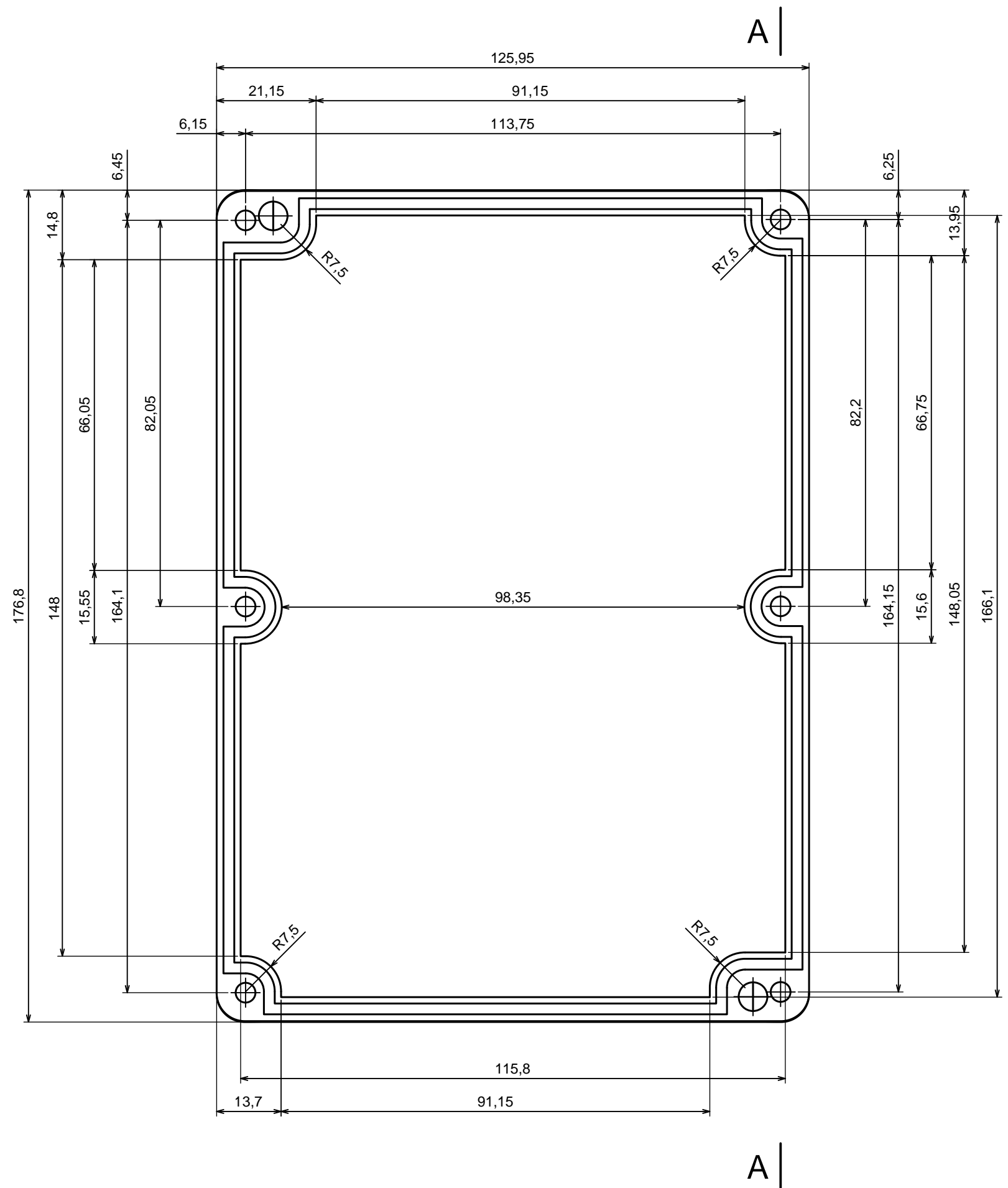
All rights reserved, Copyright Kradox 2016


Product model Enclosure Z74 - base

Format: A3 Material: PS, ABS

Scale 1:2 Tolerance: +/- 0.5





All rights reserved, Copyright Kradox 2016		
Product model	Enclosure Z74 - cover	
Format: A3	Material: PS, ABS	
Scale 1:1	Tolerance: +/- 0.5	