



BXM Aluminium Alloy Push Button Box

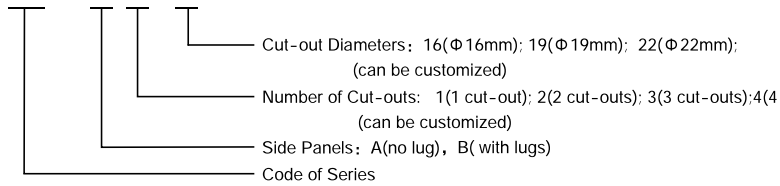


Product details

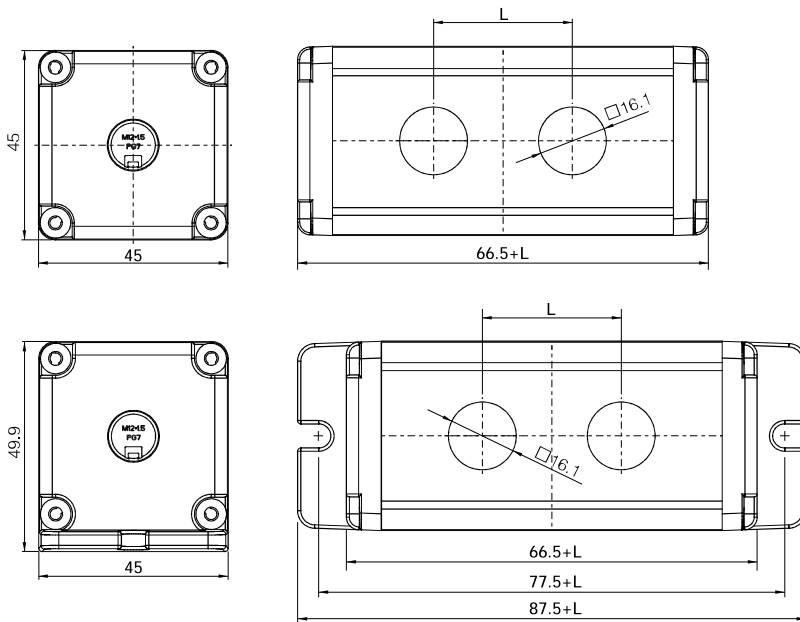
- ⦿ The BXM push button enclosure have aluminium alloy body and engineering plastic side panels which ensure an increased degree of protection against heat and chemical products.
- ⦿ Can be used in severe environments (dirty, dusty or weak acid circumstance).
For applications in electric, lighting industry, etc.
- ⦿ Standard cut-out: $\Phi 16\text{mm}$, $\Phi 19\text{mm}$, $\Phi 22\text{mm}$; With single or multiple cut-outs (Can be made to order).
- ⦿ Side panels: A (panels without lug), B (panels with lugs)
- ⦿ Size: (Width) 45* (height) 45; length depends on number of cut-outs.
- ⦿ IP Degree: IP40

Part-number Description

BXM - ☆ □ / ■



Dimensions



	1 cut-out	2 cut-outs	3 cut-outs	4 cut-outs	5 cut-outs
L	0mm	33mm	66mm	99mm	132mm

Note: L stands for the distance between two centers;
Length of the enclosure: 66.5+L.