

REV. A	DESCRIPTION NEW RELEASE	DRAWN YCH 08/17/07	CHECKED ~	APPROVED

NOTES:

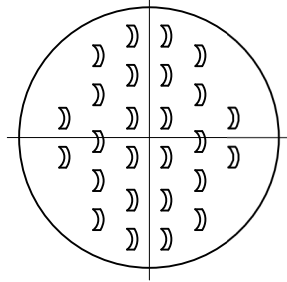
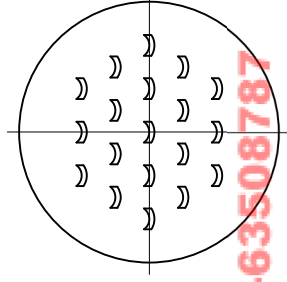
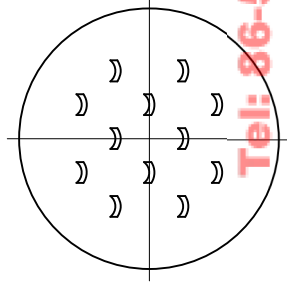
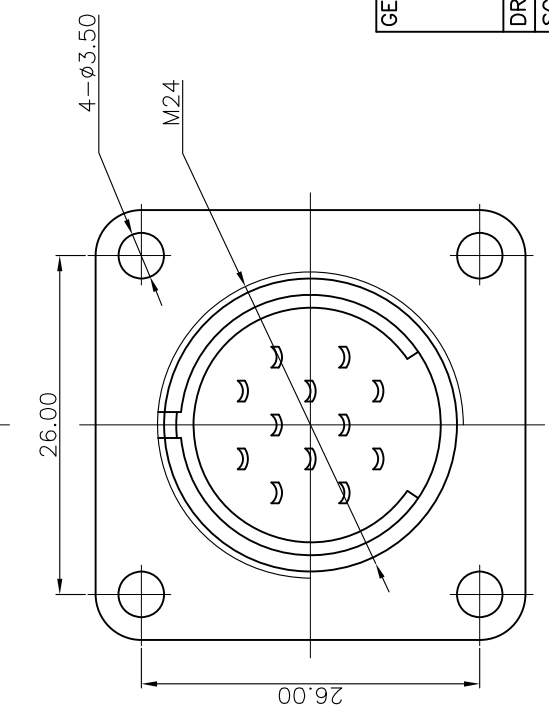
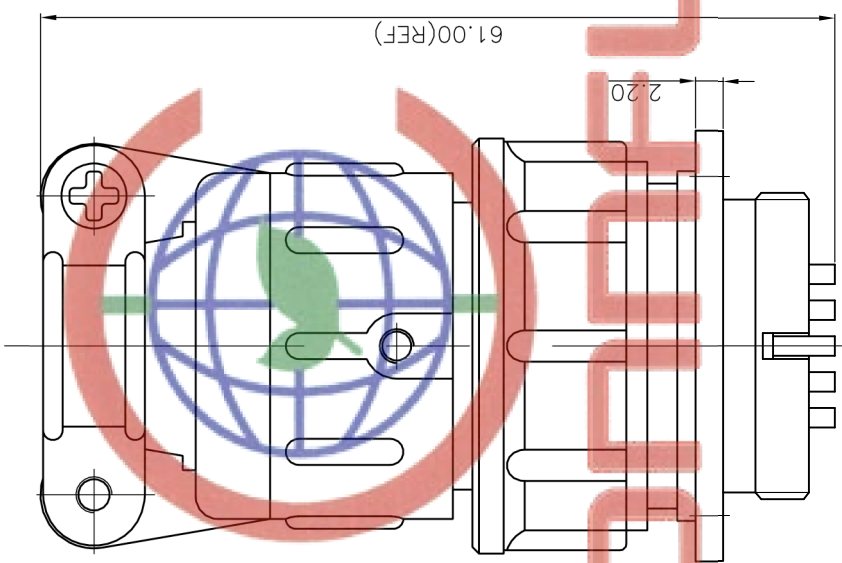
1.SPECIFICATION

- .CURRENT RATING: 5A Max.
- .DIELECTRIC WITH STANDING VOLTAGE: 500V(AC)
- .CONTACT RESISTANCE: 100mΩ Max.
- .INSULATION RESISTANCE: 1000MΩ(DC)Min.

2.PRODUCT NUMBER CODE:

DS1110-07 - X X X X X

- SHELL SURFACE FINISHED
- P:SPRAY THE PAINT (GRAY)
- CONTACT PLATING
- Y: SILVER
- COLOR OF HOUSING:
- L: BLUE
- No. OF CONTACTS
- 12: 12pin
- 19: 19pin
- 26: 26pin



Tel: 86-574-63508787

Fax: 86-574-63510817

GENERAL TOLERANCE	ANGLE TOLERANCE	PROJECTION	TITLE
X. ±0.60	X. ±5°		MICRO JACK CONNECTOR
X. ±0.38	.X ±3°	mm	
.XX ±0.25	.XX ±2°	A4	SERIES DS1110-07 SERIES
DRAWING TYPE	CUSTOMER	UNITS	
SCALE	1:1 SHEET 1 OF 1	SHEET SIZE	
DRAWING NO.	C-DS1110-07-XXX	A4	

West Dao Ma 晨翔电子有限公司
CONNFLY CONNFLY ELECTRONIC CO. LTD

